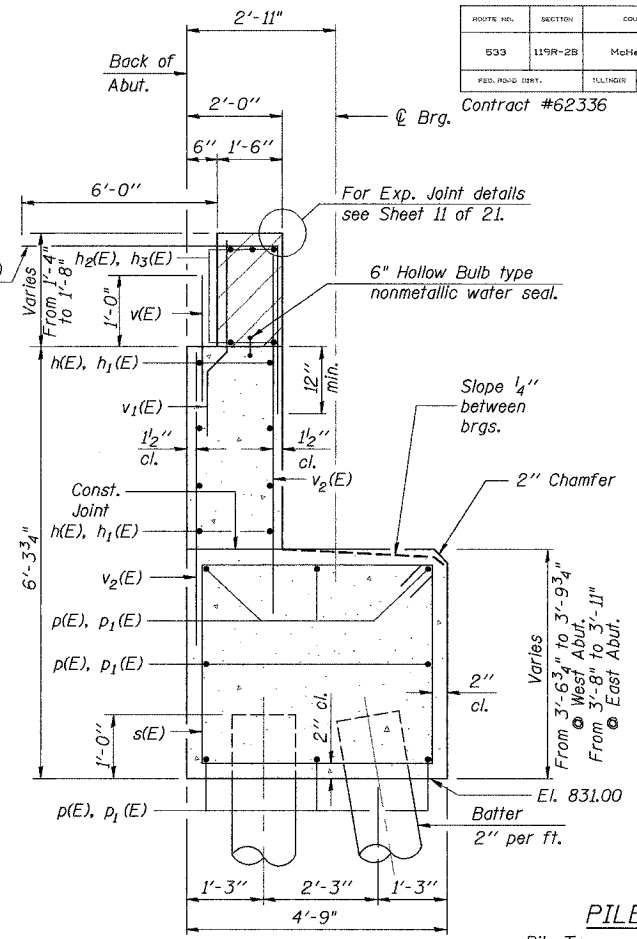


El.	W. Abut.	E. Abut.
A	834.56	834.67
B	834.70	834.81
C	834.81	834.92

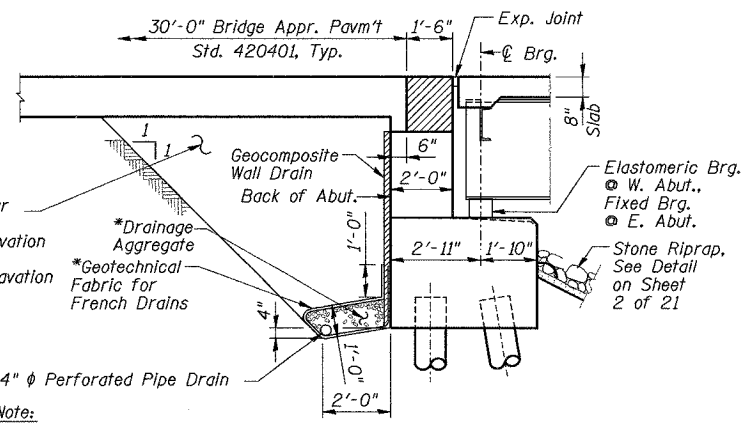


Notes:

- Hatched area to be poured after superstructure false work has been removed. Quantity of Concrete included with Concrete Superstructure.
- Space reinforcement in cap to miss anchor bolts.
- Pour steps monolithically with cap.
- Concrete sealer shall be applied to the top of seats, front face of backwall, and front face of abutment stem.
- Excavation behind existing abutment walls shall be performed to balance front and back soil pressure before removing the existing superstructure. The Contractor shall sawcut the upper portion of the existing abutment at the stage removal line before Stage I removal to ensure the remaining portion will not be prematurely damaged.

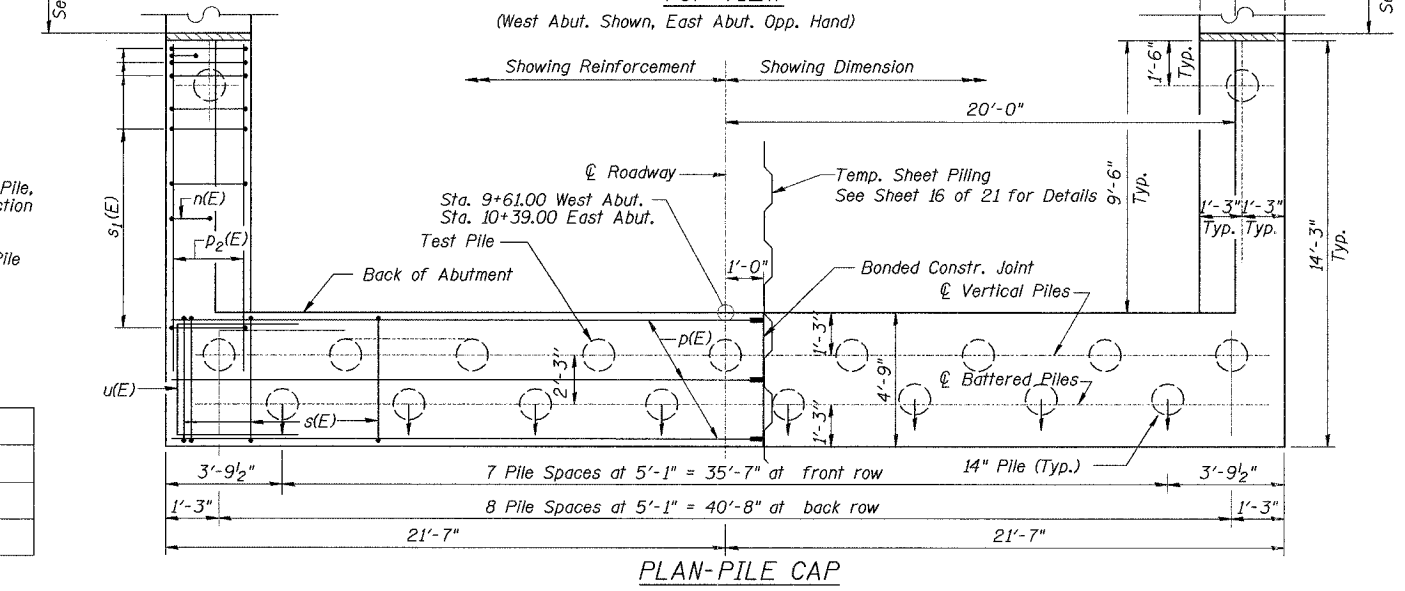
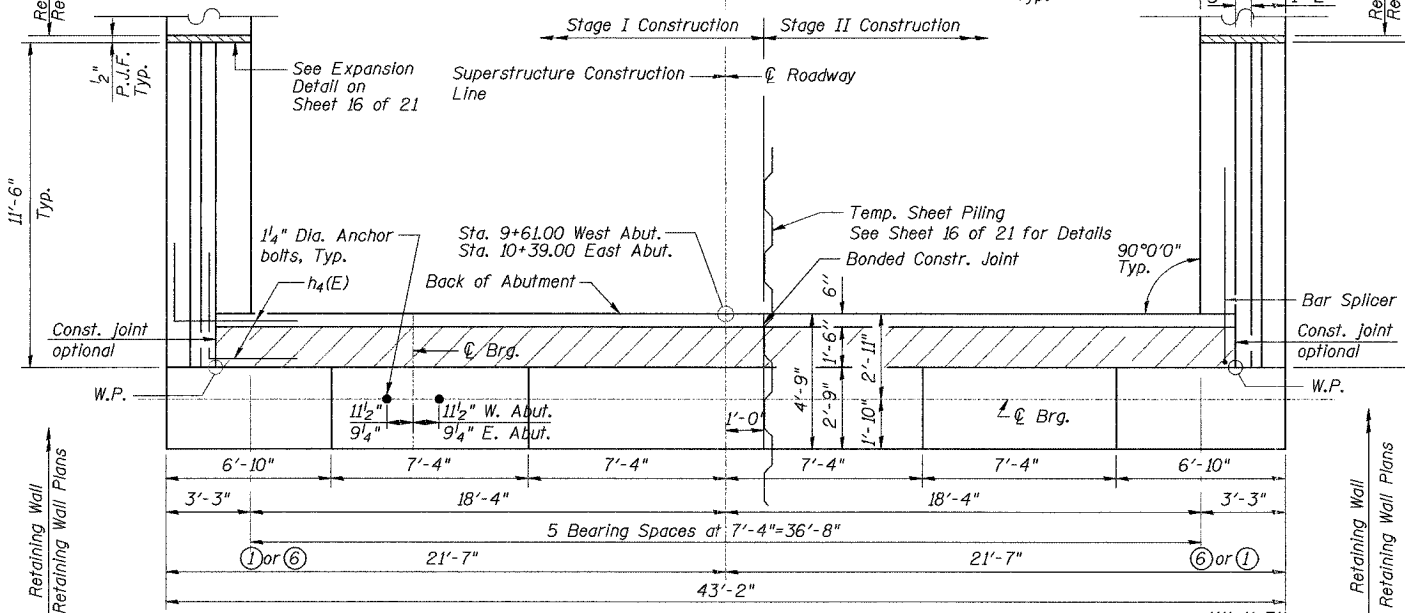
PILE DATA

Pile Type and Size: Metal Shell 14" dia. x 1/4" Walls
 Nominal Required Bearing: 390 kips
 Allowable Resistance Available: 130 kips
 Estimated Pile Length: 52 ft. @ West Abut.
 54 ft. @ East Abut.
 Number of Production Piles: 18 at each Abut.
 Number of Test Piles: 1 at each Abut.



Note:

- All drainage system components shall extend to 2'-0" from the end of each wingwall except an outlet pipe shall extend until intersecting with the side slopes. The pipes shall drain into concrete headwalls (See Article 601.05 of the Std. Specifications and Highway Std. 601101).
- * Included in the cost of Pipe Underdrains for Structures.



LEGEND

- Designates Battered Pile, arrow points to direction of batter
- Designates Vertical Pile

DESIGNED	J.Z.
CHECKED	S.D.H.
DRAWN	M.S.M.
CHECKED	S.D.H.

EAST & WEST ABUTMENTS
 IL Route 176 over the Kishwaukee River
 F.A.P. RTE 533, SECTION 119R-2B
 McHENRY COUNTY
 STATION 10+00.00
 S.N. 056-0078
 DATE: 10-05-07
 GRAEF, ANHALT, SCHLOEMER & ASSOCIATES INC
 CHICAGO ILLINOIS