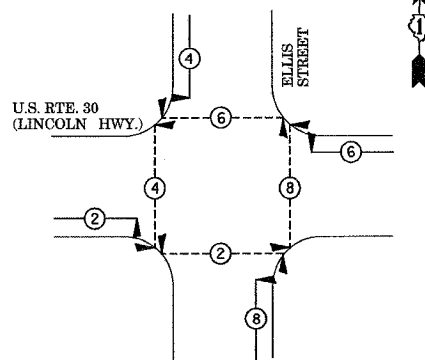
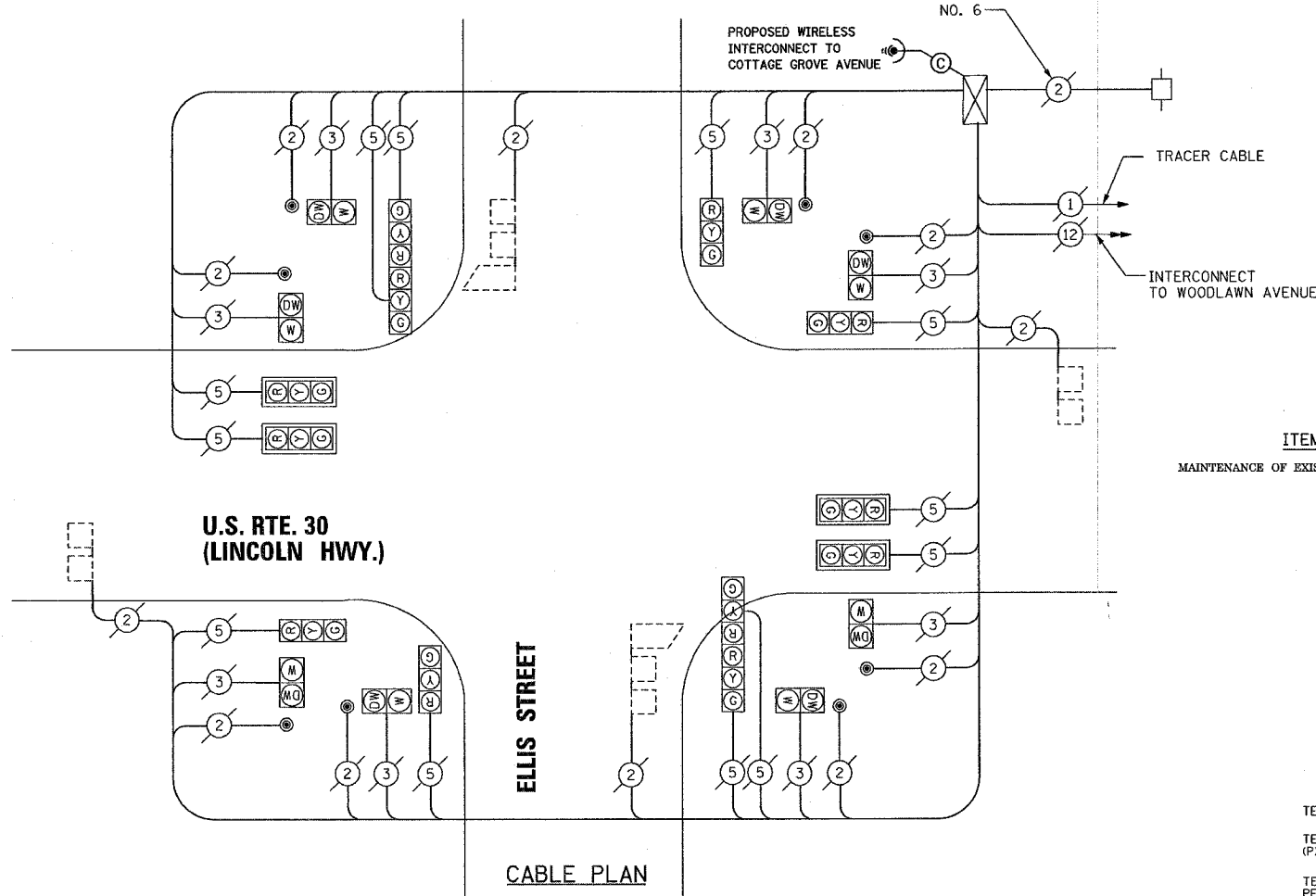
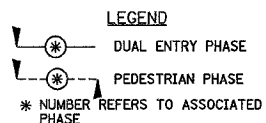


CONTROLLER SEQUENCE



PHASE DESIGNATION DIAGRAM



SCHEDULE OF QUANTITIES

ITEM	UNIT	QUANTITY
MAINTENANCE OF EXISTING TRAFFIC SIGNAL INSTALLATION	EACH	1

TEMPORARY CABLE DIAGRAM LEGEND

	PROPOSED	EXISTING
TEMPORARY CONTROLLER CABINET	[Symbol]	[Symbol]
TEMPORARY SERVICE INSTALLATION, (P) POLE OR (G) GROUND MOUNT	[Symbol]	[Symbol]
TEMPORARY TRAFFIC SIGNAL SECTION OR PEDESTRIAN SIGNAL SECTION 12" (300 mm)	[Symbol]	[Symbol]
12" (300mm) PEDESTRIAN SIGNAL SECTION	[Symbol]	[Symbol]
ELECTRIC CABLE IN CONDUIT, NO. 14, UNLESS OTHERWISE NOTED, NUMBER OF CONDUCTORS AS NOTED	[Symbol]	[Symbol]
PEDESTRIAN PUSHBUTTON DETECTOR	[Symbol]	[Symbol]
VEHICLE DETECTOR, INDUCTION LOOP	[Symbol]	[Symbol]
MICROWAVE VEHICLE SENSOR	[Symbol]	[Symbol]
VIDEO DETECTOR	[Symbol]	[Symbol]
CLOSED CIRCUIT TV	[Symbol]	[Symbol]
EMERGENCY VEHICLE LIGHT DETECTOR	[Symbol]	[Symbol]
CONFIRMATION BEACON	[Symbol]	[Symbol]
WIRELESS INTERCONNECT (ANTENNA)	[Symbol]	[Symbol]

NOTE:
THE TRAFFIC SIGNAL CONTROL EQUIPMENT FOR THIS PROJECT SHALL BE "EAGLE" TO MATCH THE ADJACENT SYSTEM.

RESTORATION OF WORK AREA. RESTORATION OF THE TRAFFIC SIGNAL WORK AREA SHALL BE INCIDENTAL TO THE RELATED PAY ITEM SUCH AS FOUNDATION, CONDUIT, HANDHOLE, TRENCH AND BACKFILL, ETC., AND NO EXTRA COMPENSATION SHALL BE ALLOWED. ALL ROADWAY SURFACES SUCH AS SHOULDERS, MEDIAN, SIDEWALKS, PAVEMENT, ETC. SHALL BE REPLACED IN KIND. ALL DAMAGE TO MOWED LAWNS SHALL BE REPLACED WITH AN APPROVED SOD, AND ALL DAMAGE TO UNMOWED FIELDS SHALL BE SEEDED IN ACCORDANCE WITH STANDARD SPECIFICATIONS 252 AND 250 RESPECTIVELY.

I.D.O.T. TRAFFIC SIGNAL INSTALLATION ELECTRICAL SERVICE REQUIREMENTS					TOTAL WATTAGE
TYPE	NO. LAMPS	WATTAGE (INCAND.)	LED	X % OPERATION	
SIGNAL (RED)	12	135	17	0.50	810.0
(YELLOW)	12	135	25	0.25	405.0
(GREEN)	12	135	15	0.25	405.0
ARROW	-	135	12	0.10	-
PED. SIGNAL	8	90	25	1.00	720.0
CONTROLLER	1	100	100	1.00	100.0
ILLUM. SIGN	-	84	-	0.05	-
FLASHER	-	-	-	0.50	-
TOTAL =					2440.0

ENERGY COSTS - BILLED TO: ILLINOIS DEPT. OF TRANSPORTATION (ADDRESS) 201 WEST CENTER COURT SCHAUMBURG, ILLINOIS 60196-1096

ENERGY SUPPLY - CONTACT: JERRY NISSEN (708) 235-2340 COMPANY: COMMONWEALTH EDISON

SETON ENGINEERING
SERVICE CORPORATION
CIVIL ENGINEERS

19 S. BOTHWELL STREET
PALATINE, ILLINOIS 60067
VOICE: 847-776-7200 FAX: 847-776-7239

REVISIONS	
NAME	DATE

ILLINOIS DEPARTMENT OF TRANSPORTATION

TEMPORARY CABLE PLAN AND TEMPORARY PHASE DESIGNATION DIAGRAM
US ROUTE 30 (LINCOLN HIGHWAY) AT ELLIS STREET
FORD HEIGHTS, ILLINOIS

SCALE: N.T.S.
DATE: 08-01-2007

DRAWN BY: BR
DESIGNED BY: VO
CHECKED BY: JAC