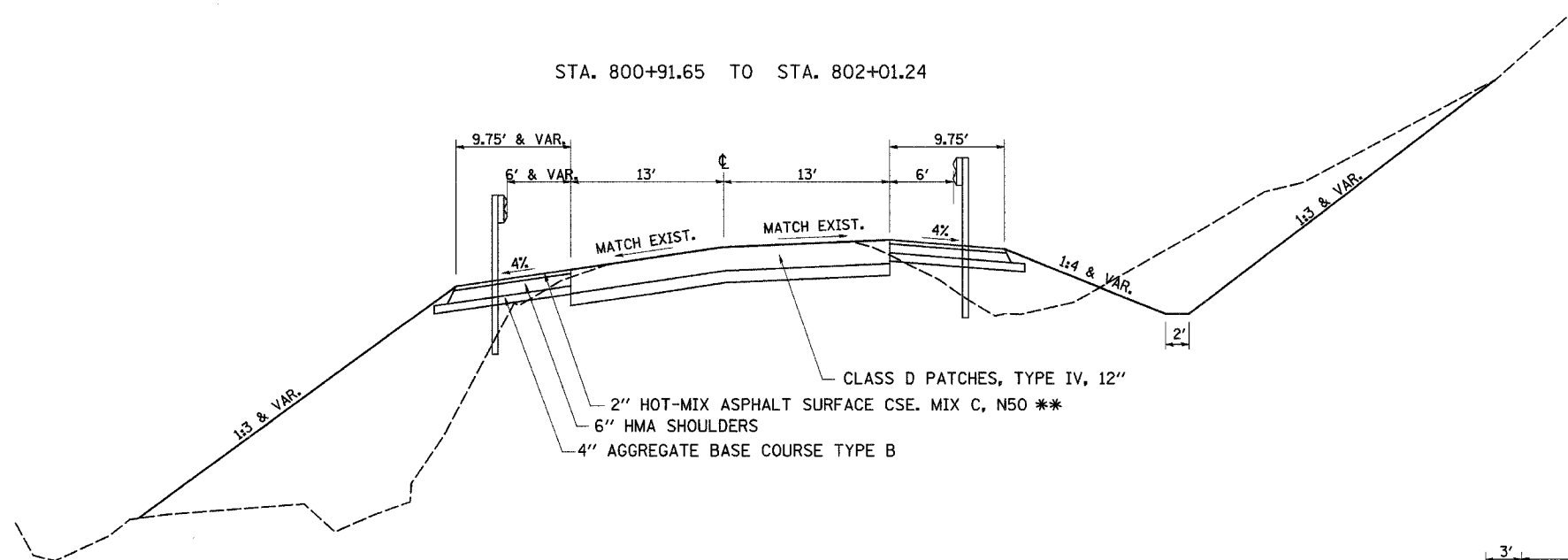


F.A.P. RTE.	SECTION	COUNTY	TOTAL SHEETS	SHEET NO.
642	11T	CARROLL	79	7
STA.		TO STA.		
FED. ROAD DIST. NO.		ILLINOIS FED. AID PROJECT		

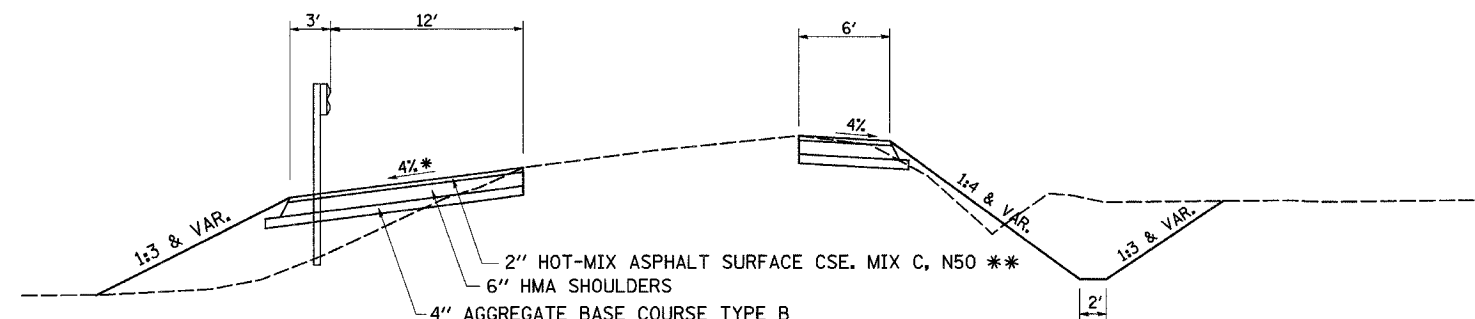
TYPICAL SECTIONS

STA. 800+91.65 TO STA. 802+01.24



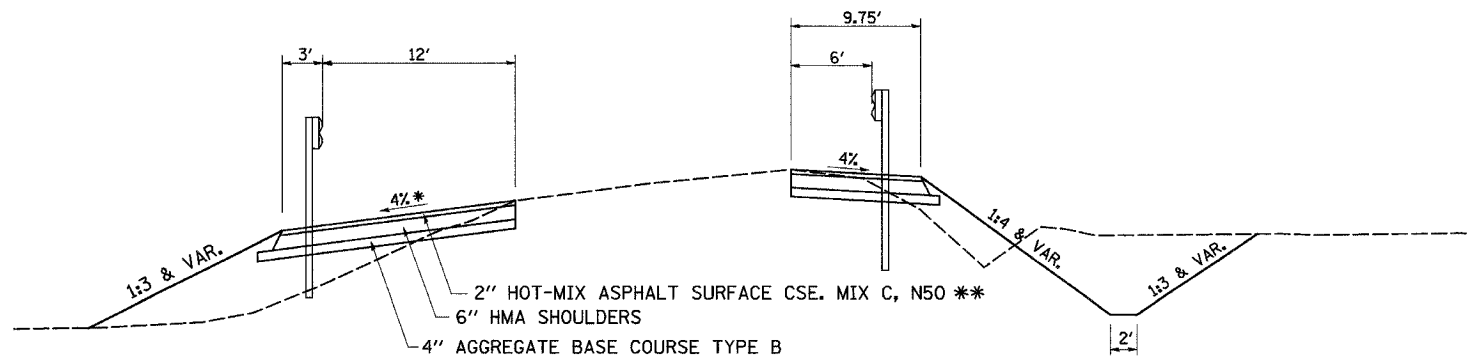
- CLASS D PATCHES, TYPE IV, 12"
- 2" HOT-MIX ASPHALT SURFACE CSE. MIX C, N50 **
- 6" HMA SHOULDERS
- 4" AGGREGATE BASE COURSE TYPE B

STA. 802+01.24 TO STA. 805+13.91



- 2" HOT-MIX ASPHALT SURFACE CSE. MIX C, N50 **
- 6" HMA SHOULDERS
- 4" AGGREGATE BASE COURSE TYPE B

STA. 798+43 TO STA. 800+91.65



- 2" HOT-MIX ASPHALT SURFACE CSE. MIX C, N50 **
- 6" HMA SHOULDERS
- 4" AGGREGATE BASE COURSE TYPE B

* MATCH EXISTING MAINLINE SLOPE IN SUPER ELEVATED SECTIONS

* MATCH EXISTING MAINLINE SLOPE IN SUPER ELEVATED SECTIONS
 ** 112 LB/SQ YD IN

PLOT DATE = Thu, Oct 11, 2007 11:06:41 AM
 FILE NAME = c:\pwork\110207\64D82\11T\64D82-11T-7.dgn
 PLOT SCALE = 4"=100' / IN.

REVISIONS		ILLINOIS DEPARTMENT OF TRANSPORTATION
NAME	DATE	
		VERT. SCALE: DRAWN BY HORIZ. CHECKED BY DATE