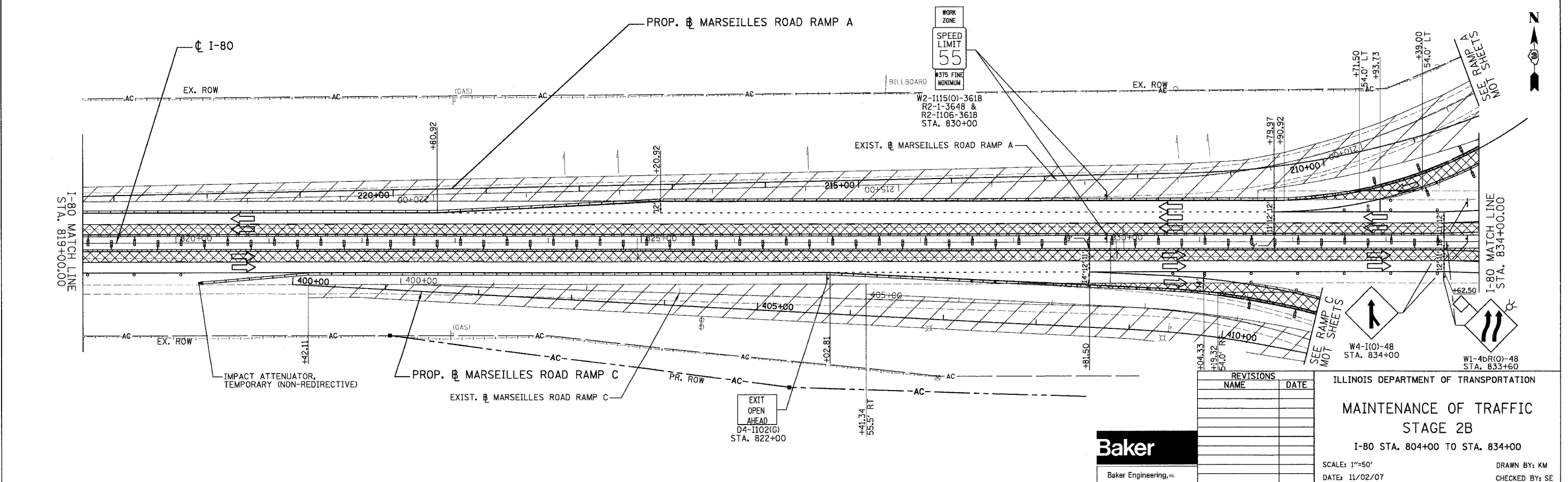
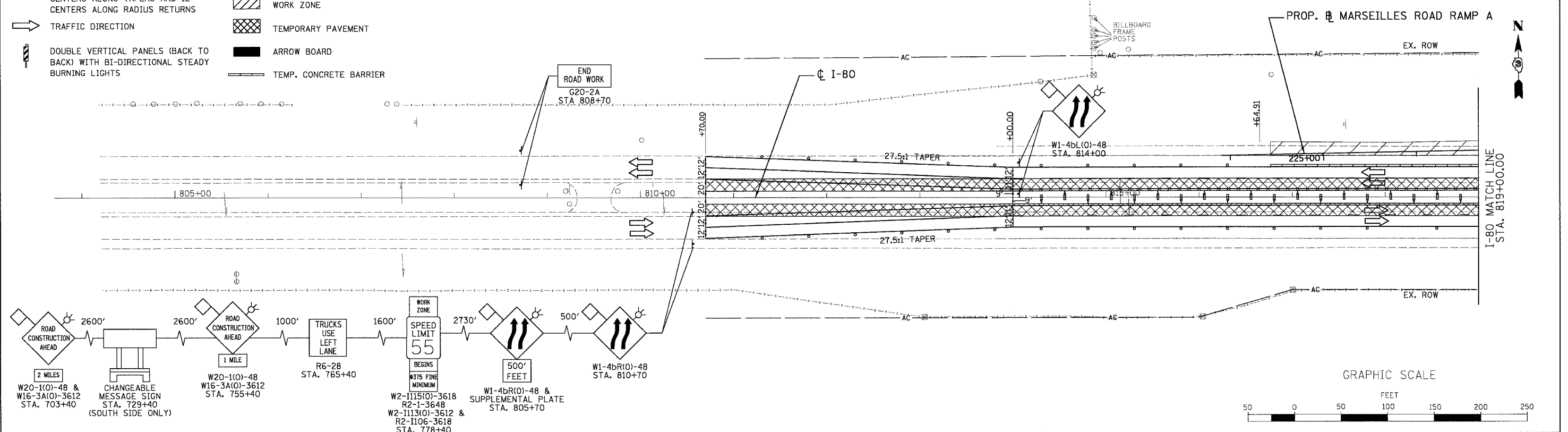


F.A.I. RTE.	SECTION	COUNTY	TOTAL SHEETS	SHEET NO.
80	(50-5) HKB-2	LASALLE	331	72
STA. 804+00.00 TO STA. 834+00.00		ILLINOIS FED. AID PROJECT		

- LEGEND**
- DRUMS WITH BI-DIRECTIONAL STEADY BURN LIGHTS @ 50' CENTERS, 25' CENTERS ALONG TAPERS AND 12' CENTERS ALONG RADIUS RETURNS
 - ➔ TRAFFIC DIRECTION
 - ▬ DOUBLE VERTICAL PANELS (BACK TO BACK) WITH BI-DIRECTIONAL STEADY BURNING LIGHTS
 - ⊥ TYPE III BARRICADES WITH FLASHING LIGHTS
 - ▨ WORK ZONE
 - ▩ TEMPORARY PAVEMENT
 - ▬ ARROW BOARD
 - ▬ TEMP. CONCRETE BARRIER



REVISIONS	
NAME	DATE

ILLINOIS DEPARTMENT OF TRANSPORTATION
MAINTENANCE OF TRAFFIC
STAGE 2B
 I-80 STA. 804+00 TO STA. 834+00
 SCALE: 1"=50'
 DATE: 11/02/07
 DRAWN BY: KM
 CHECKED BY: SE