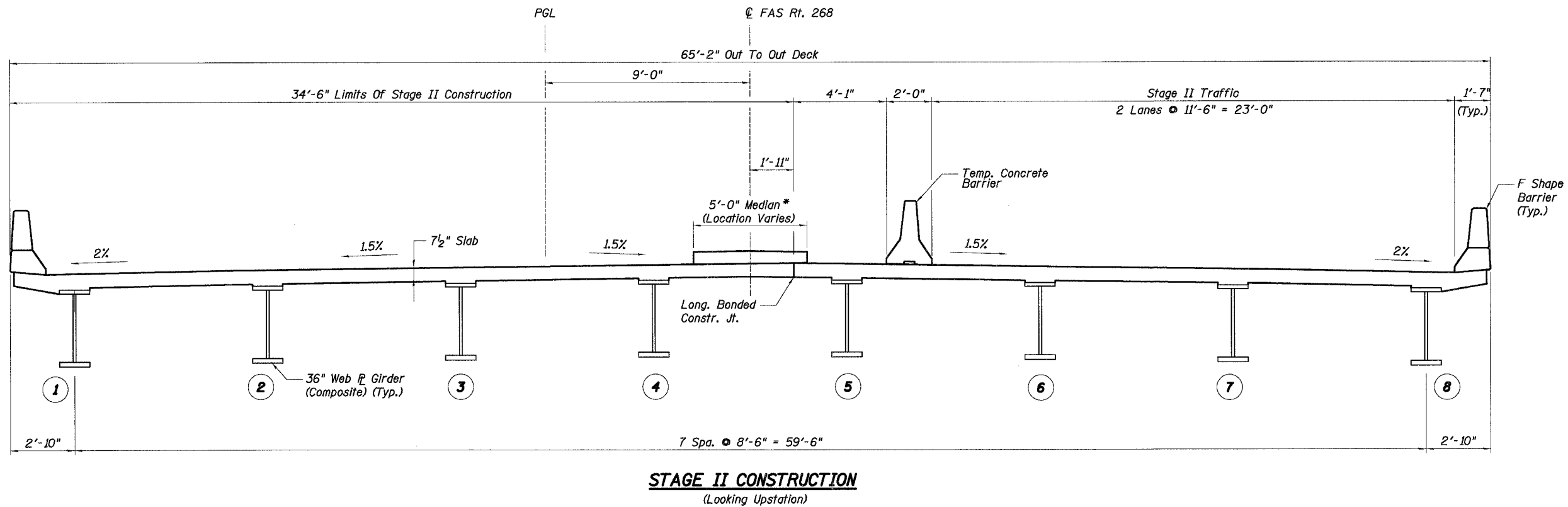
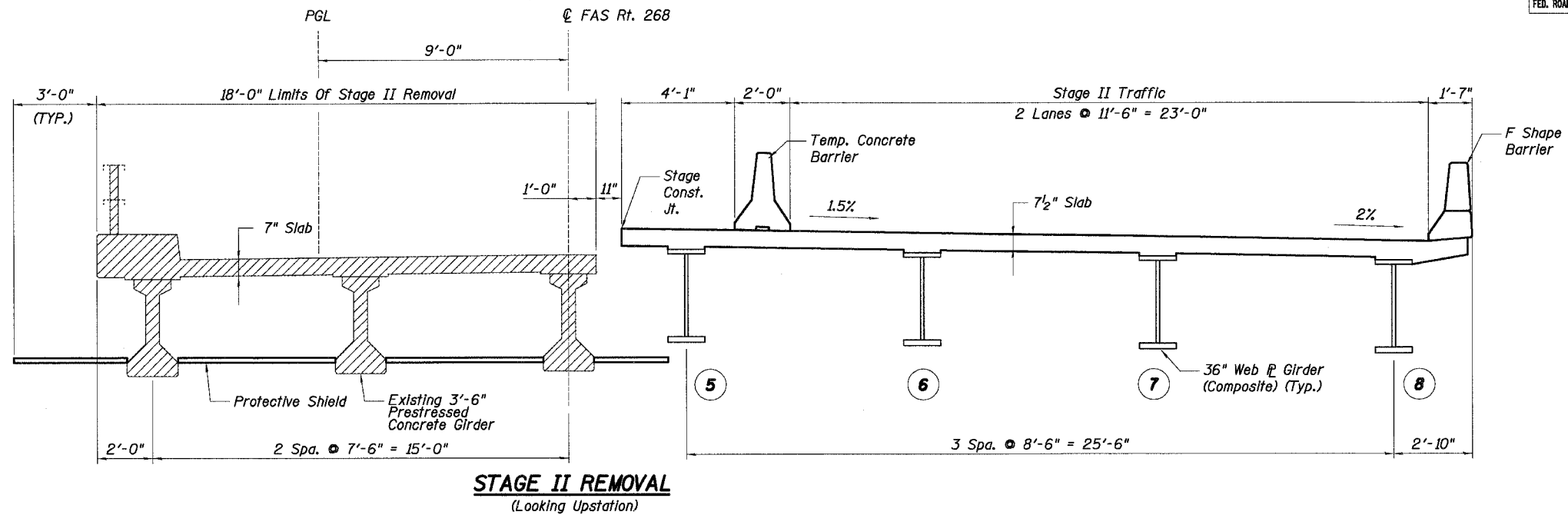


F.A.I. RTE.	SECTION	COUNTY	TOTAL SHEETS	SHEET NO.
80	50-SHBK-2	LASALLE	331	132
STA. 105+00		TO STA. 136+00		
FED. ROAD DIST. NO. 7 ILLINOIS FED. AID PROJECT				
SHEET NO. S4 OF S22				



* See roadway MOT drawings for median staged construction details.

LEGEND:

- Existing
- Removal Of Existing

NOTES:

1. See roadway plans for Temporary Concrete Barrier quantities.
2. Work this sheet with Construction Staging I, sheet S3.
3. See sheet S5 for Temporary Concrete Barrier details.
4. See sheet S1 for limits of Protective Shield.

REVISIONS	
NAME	DATE

Baker

Baker Engineering, Inc.

ILLINOIS DEPARTMENT OF TRANSPORTATION
CONSTRUCTION STAGING II

MARSEILLES ROAD (FAS Rt. 268)
OVER I-80 (F.A.I. ROUTE 80)
STRUCTURE NUMBER 050-0245
SECTION 50-SHBK-2
LA SALLE COUNTY
STATION 120+00.08
DATE: 11/02/07
DESIGNED: KZ
CHECKED: JD
DRAWN: RL
CHECKED: KZ