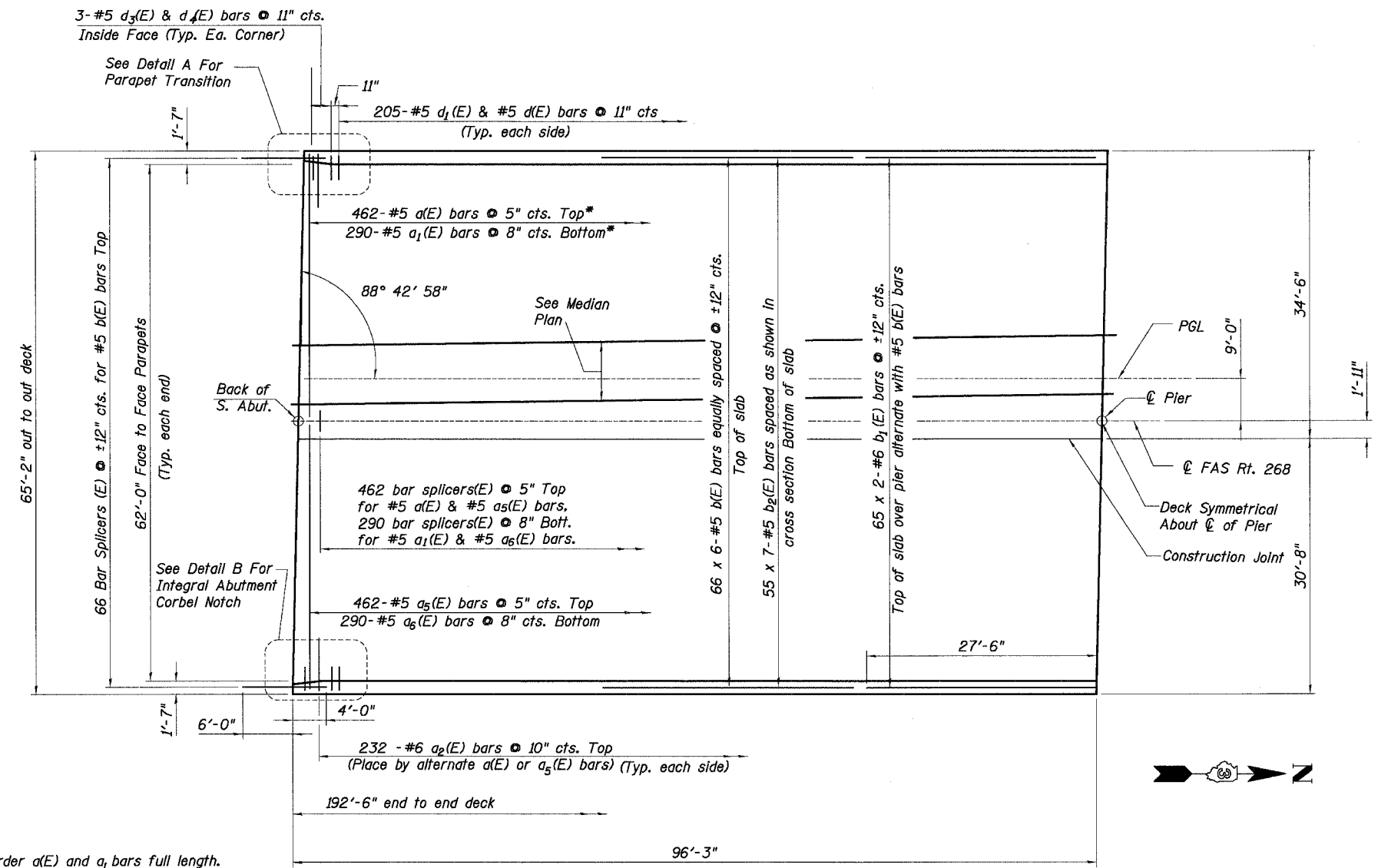
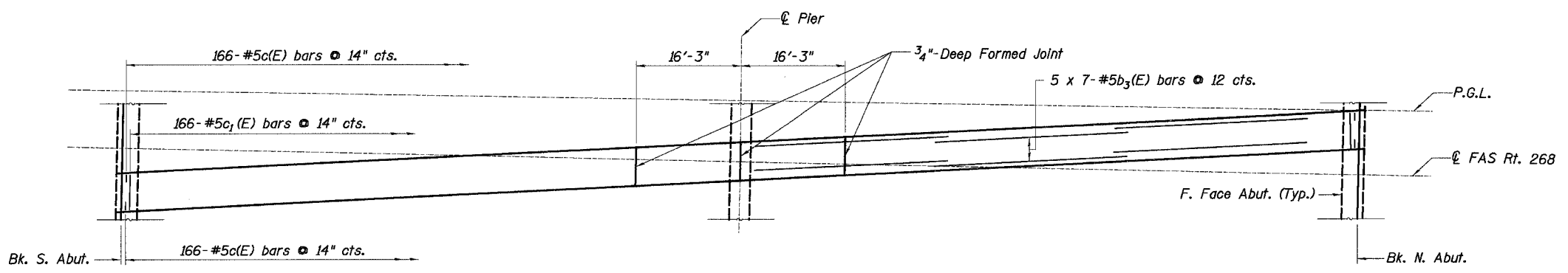


F.A.I. RTE.	SECTION	COUNTY	TOTAL SHEETS	SHEET NO.
80	50-SHBK-2	LASALLE	331	137
STA. 105+00		TO STA. 136+00		
FED. ROAD DIST. NO. 7 ILLINOIS FED. AID PROJECT				
SHEET NO. S9 OF S22				



**HALF PLAN**

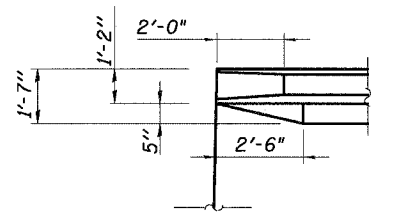
\* Order a(E) and a1 bars full length. Cut to fill skew and use remainder of bars in opposite end.



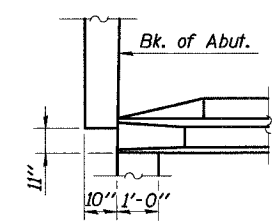
**MEDIAN PLAN**

**Min. Bar Lap Lengths**

#5 bar = 1'-8"  
#6 bar = 2'-0"



**DETAIL A**



**DETAIL B**

**Notes:**

1. See Sheet S9 and S10 for superstructure details and Bill of Material.
2. Bars indicated thus 55 x 7-#5 etc. indicates 55 lines of bars with 7 lengths per line.
3. See sheet S10 for parapet reinforcement.
4. Place all transverse 'a' bars perpendicular to the P.G.L.
5. See sheet S1 for start and end locations of median taper.

REVISIONS	
NAME	DATE

ILLINOIS DEPARTMENT OF TRANSPORTATION  
**DECK AND MEDIAN PLAN**  
MARSEILLES ROAD (FAS Rt. 268)  
OVER I-80 (F.A.I. ROUTE 80)  
STRUCTURE NUMBER 050-0245  
LA SALLE COUNTY SECTION 50-SHBK-2  
STATION 120+00.08 DESIGNED: DM DRAWN: RL  
DATE: 11/02/07 CHECKED: KZ CHECKED: KZ



I:\07499\3.0 deliverables\3.3 structure\Drawings\Final\Deck Plan .dgn 11/5/2007