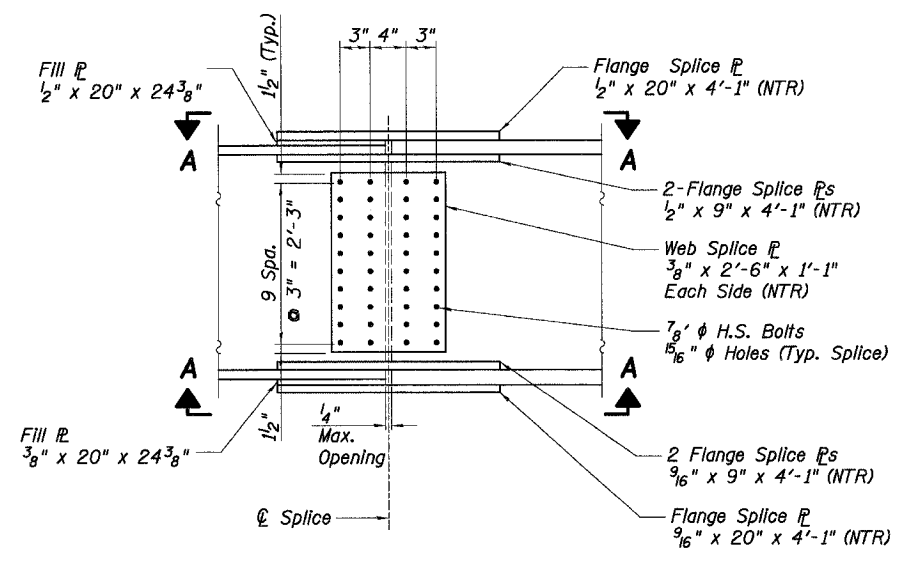
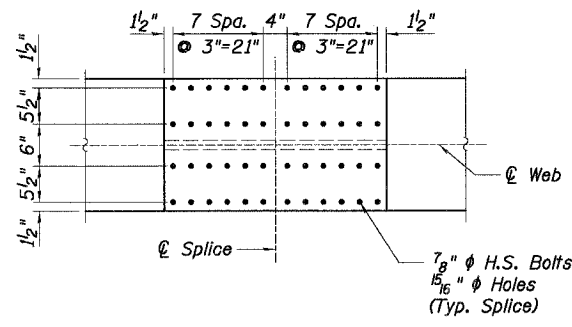


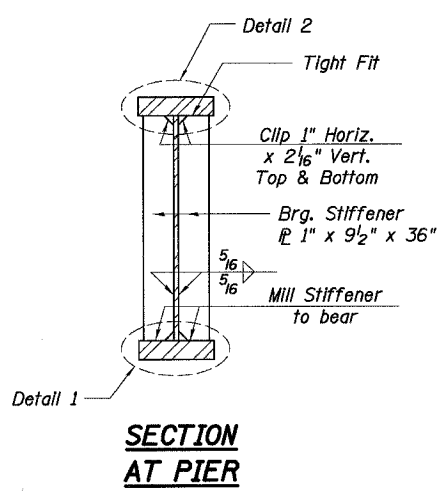
F.A.I. RTE.	SECTION	COUNTY	TOTAL SHEETS	SHEET NO.
80	50-SHBK-2	LASALLE	331	143
STA. 105+00		TO STA. 136+00		
FED. ROAD DIST. NO. 7 ILLINOIS FED. AID PROJECT				
SHEET NO. S15 OF S22				



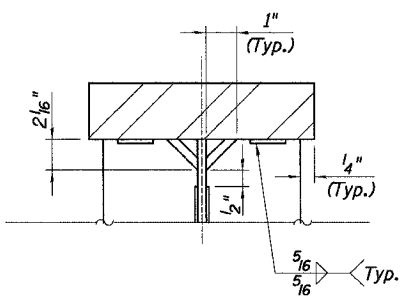
TYPICAL SPICE ELEVATION



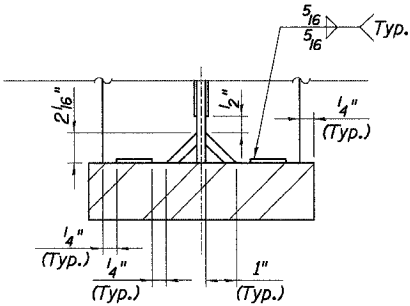
VIEW A-A



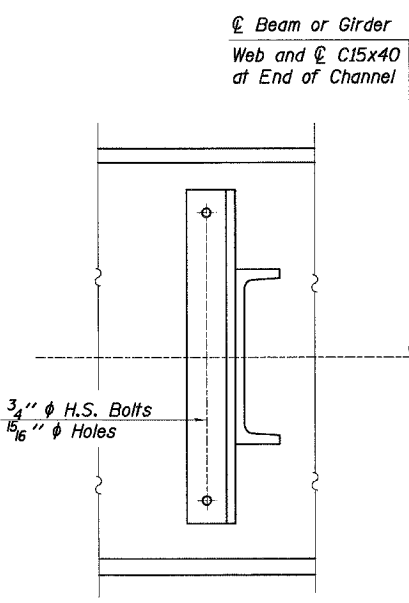
SECTION AT PIER



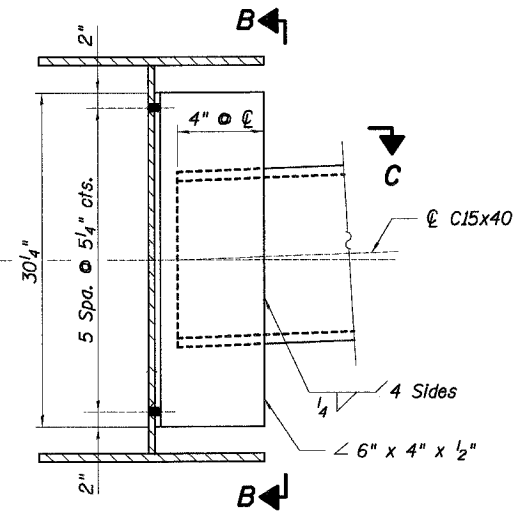
DETAIL 2



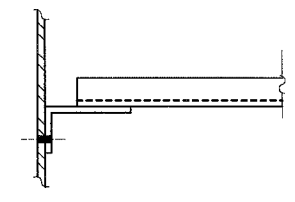
DETAIL 1



SECTION B-B



DIAPHRAGM D
(63 Required)



SECTION C-C

NOTES:

1. For splice and diaphragm locations, see Sheet S12.
2. Load carrying components designated "NTR" shall conform to the supplemental requirements for Notch Toughness, Zone 2.
3. Two hardened washers shall be required over all diaphragm oversize holes.
4. All new structure steel diaphragms, and connection angles shall be AASHTO M270 Gr.36.

REVISIONS	
NAME	DATE

ILLINOIS DEPARTMENT OF TRANSPORTATION

STEEL DETAILS

MARSEILLES ROAD (FAS Rt. 268)
OVER I-80 (F.A.I. ROUTE 80)
STRUCTURE NUMBER 050-0245

LA SALLE COUNTY SECTION 50-SHBK-2
STATION 120+00.08 DESIGNED: JT DRAWN: RL
DATE: 11/02/07 CHECKED: KZ CHECKED: KZ

Baker
Baker Engineering, Inc.

F:\07496\3.0 deliverables\3.3 structure\Drawings\Final\SteelDetails.dgn 11/5/2007