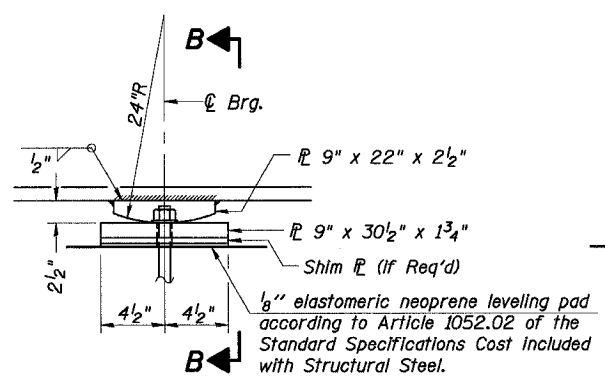
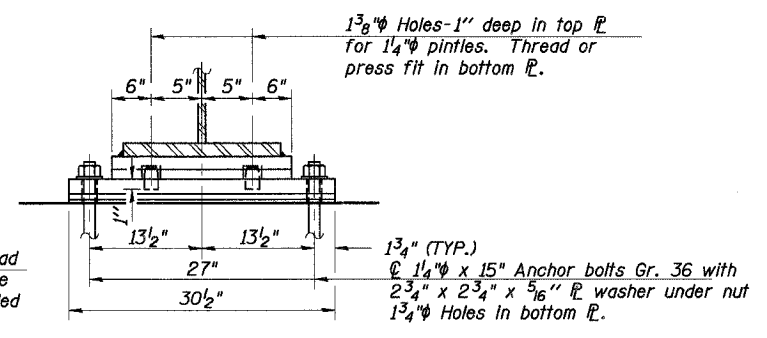


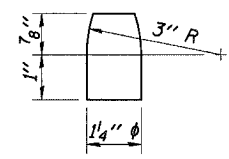
F.A.I. RTE.	SECTION	COUNTY	TOTAL SHEET SHEETS	NO.
80	50-SHBK-2	LASALLE	331	144
STA. 105+00		TO STA. 136+00		
FED. ROAD DIST. NO. 7		ILLINOIS FED. AID PROJECT		
SHEET NO. S16 OF S22				



ELEVATION AT PIER

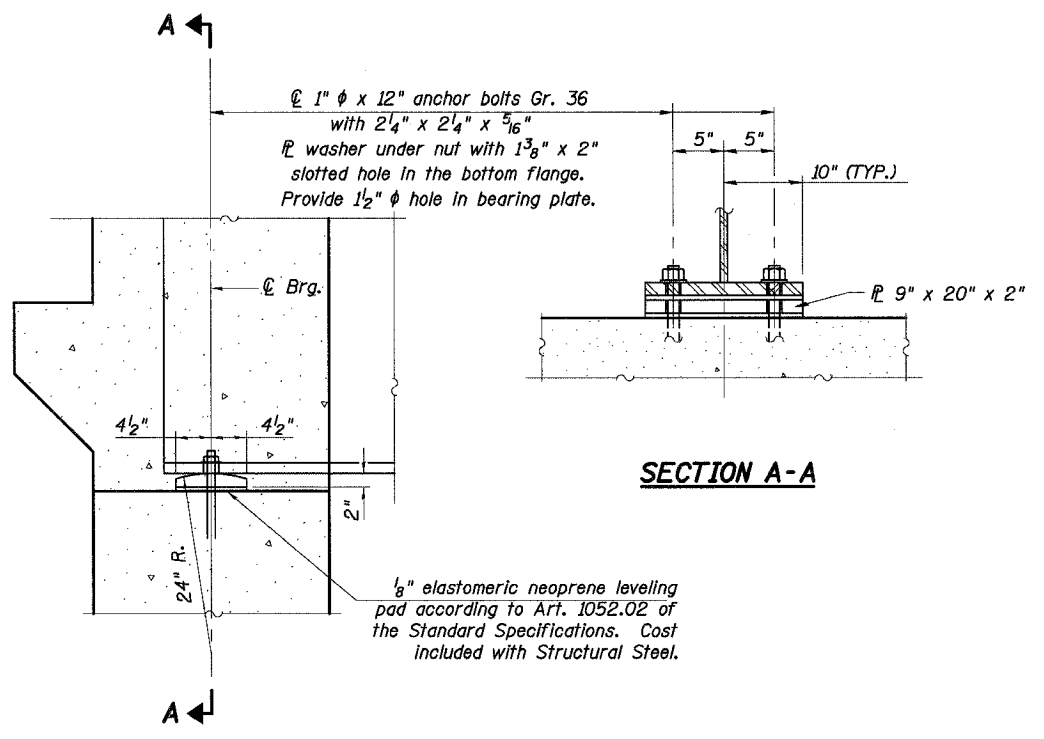


SECTION B-B

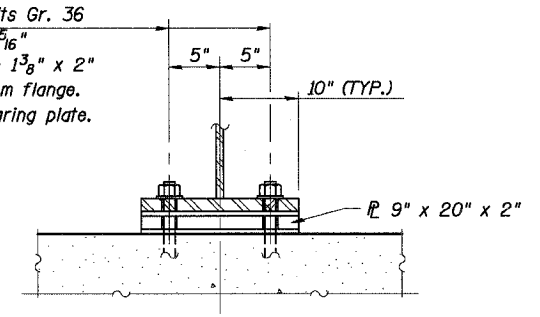


PINTLE

FIXED BEARING AT PIER
(8 Req'd)



ELEVATION AT ABUTMENT



SECTION A-A

INTEGRAL ABUTMENT BEARING
(16 Req'd)

NOTES:

1. Cost of bearing assemblies, excluding anchor bolts, to be included with "Furnishing and Erecting Structural Steel."
2. Drilled and set anchor bolts shall be installed according to Article 521.06 of the Standard Specifications.
3. Anchor bolts at fixed bearings may be either cast in place or installed as holes drilled after the supporting member is in place.
4. Two 1/8 in. adjusting shims shall be provided for each bearing in addition to all other plates or shims and placed as shown on bearing details.
5. The structural steel for the bearings shall conform to the requirements of AASHTO M270, Gr. 50.
6. Anchor bolts shall be ASTM F1554 all-thread (or an engineer-approved alternate material) of the grade and diameters specified, ASTM A307 Grade C anchor bolts may be used in lieu of ASTM F1554 Grade 36 (FY = 36ksi). The corresponding specified grade of AASHTO M314 anchor bolts may be used in lieu of ASTM F1554.

\\ch2\vol2\projects\ch2\projects\107496\3.0 deliverables\3.3 structure\Drawings\Final\Bearing Details.dgn
 11/7/2007



REVISIONS	
NAME	DATE

ILLINOIS DEPARTMENT OF TRANSPORTATION

BEARING DETAILS

MARSEILLES ROAD (FAS Rt. 268)
 OVER I-80 (F.A.I. ROUTE 80)
 STRUCTURE NUMBER 050-0245

LA SALLE COUNTY SECTION 50-SHBK-2
 STATION 120+00.08 DESIGNED: JT DRAWN: RL
 DATE: 11/02/07 CHECKED: KZ CHECKED: KZ