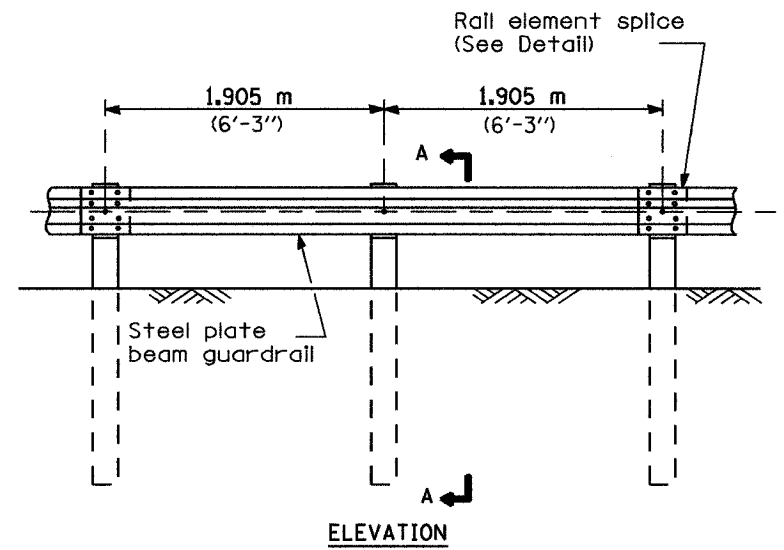
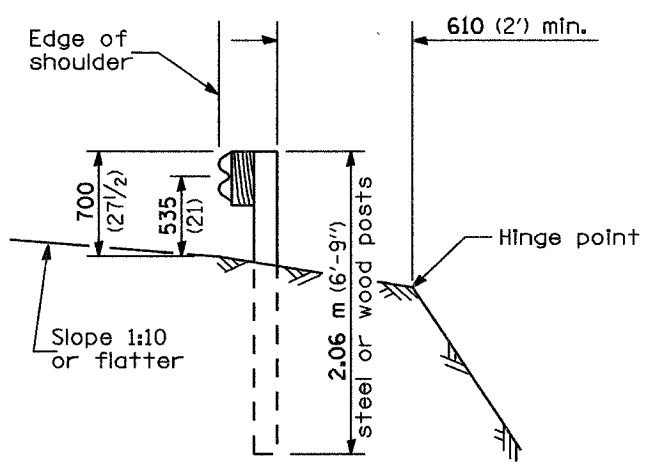


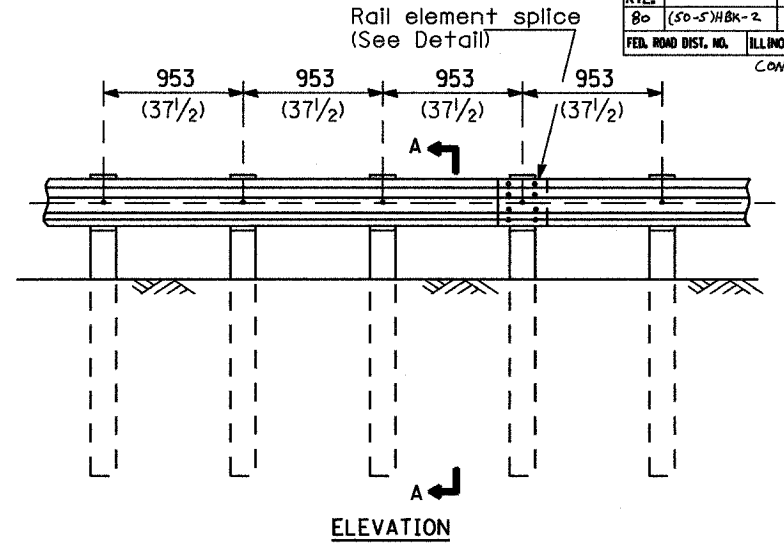
F.A.T. RTE.	SECTION	COUNTY	TOTAL SHEETS	SHEET NO.
80	(50-5)HBK-2	LASALLE		165A
FED. ROAD DIST. NO.	ILLINOIS	FED. AID PROJECT		
		CONTRACT # 66600		



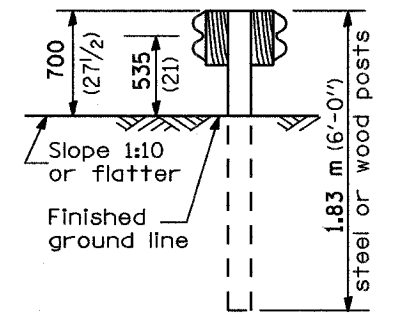
**TYPE A**  
1.905 m (6'-3") Typical post spacing



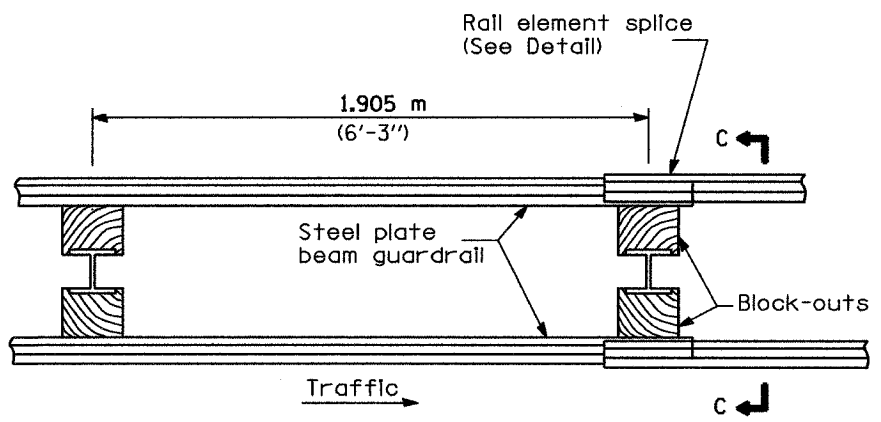
SECTION A-A



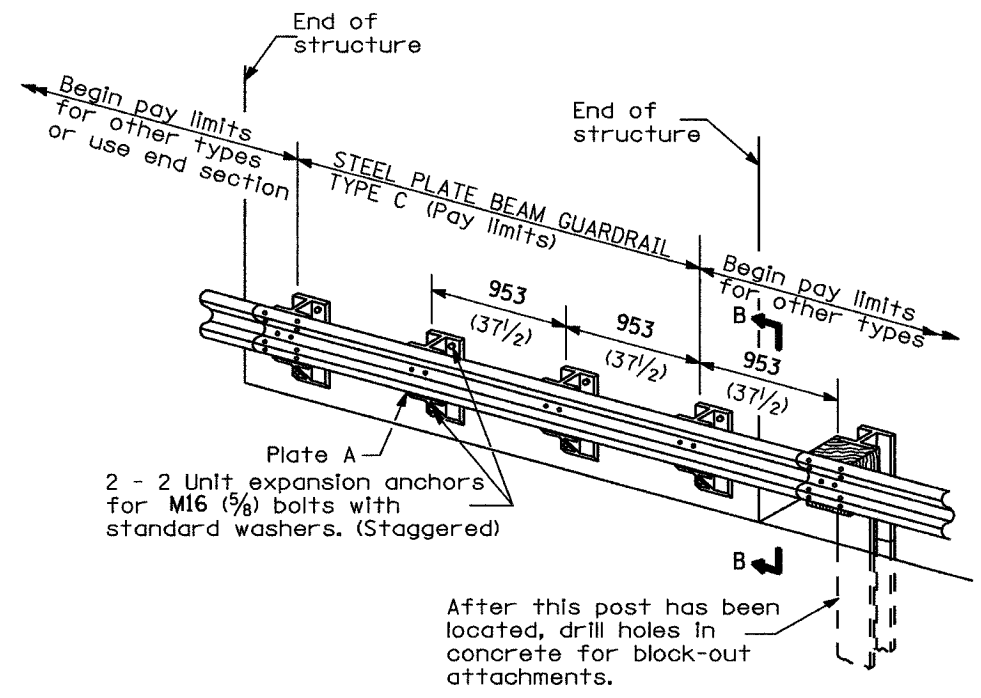
**TYPE B**  
953 (37 1/2) Closed post spacing



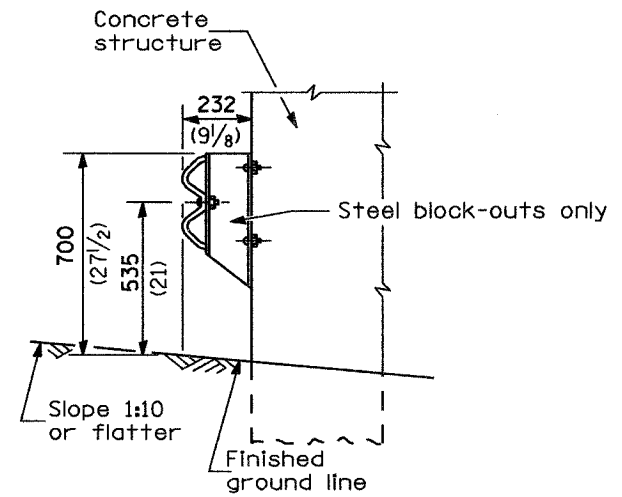
SECTION C-C



**TYPE D**  
Double steel plate beam guardrail  
1.905 m (6'-3") typical post spacing



**TYPE C**  
953 (37 1/2) Block-out spacing



SECTION B-B

**GENERAL NOTES**

All slope ratios are expressed as units of vertical displacement to units of horizontal displacement (V:H).

All dimensions are in millimeters (inches) unless otherwise shown.

The existing steel posts may be drilled to match the bolt pattern shown herein for the wood block-out, or a new steel post shall be provided.

This detail is applicable to the guardrail system used prior to January 1, 2007. For details on the Midwest Guardrail System, see Standard 630001.

**REMOVE AND REERECT  
STEEL PLATE BEAM GUARDRAIL**  
(Sheet 1 of 4)  
**DETAIL**