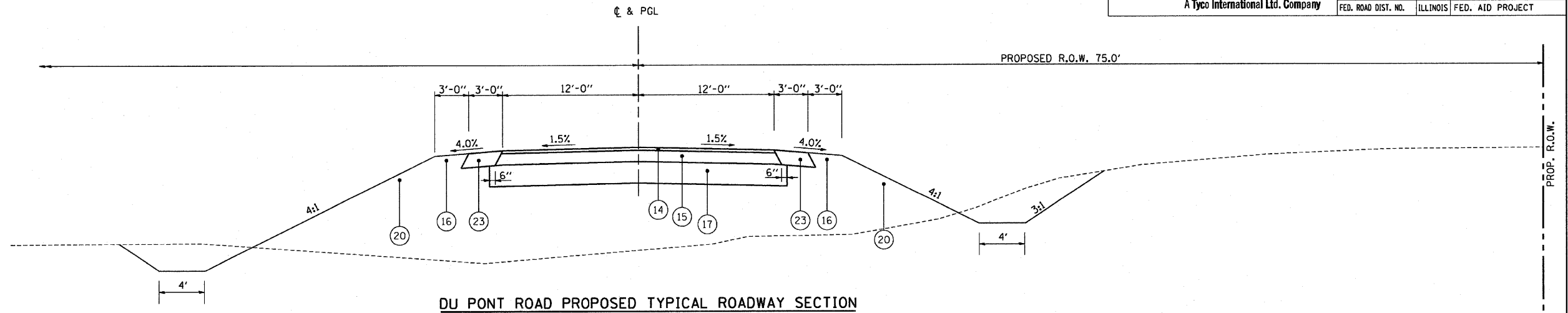
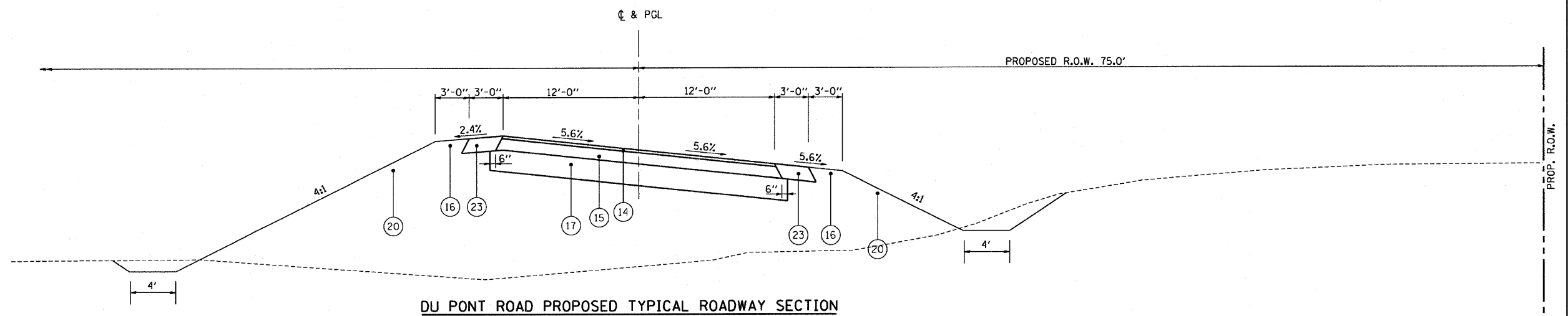




F.A.P. RTE.	SECTION	COUNTY	TOTAL SHEETS	SHEET NO.
786	(109) BR	LASALLE	351	13
STA. 61+50		TO STA. 100+00		
FED. ROAD DIST. NO.		ILLINOIS FED. AID PROJECT		



DU PONT ROAD PROPOSED TYPICAL ROADWAY SECTION
 STA. 144+83.0 TO STA. 146+22.0
 STA. 151+93.0 TO STA. 154+00.0



DU PONT ROAD PROPOSED TYPICAL ROADWAY SECTION
 STA. 146+22.0 TO STA. 151+93.0
 S. E. TRANSITIONS:
 FROM 1.5% @ STA. 146+22.0 TO 3.0% @ STA. 147+92.0
 FROM 5.6% @ STA. 150+23.0 TO 1.5% @ STA. 151+93.0

LEGEND

- | | | | |
|--|---|--|---|
| 1 EXISTING BITUMINOUS CONCRETE OVERLAY, 3" | 13 GEOTECHNICAL FABRIC FOR GROUND STABILIZATION | 23 PROPOSED AGGREGATE SHOULDER, TYPE A, 6 1/2" | 34 PROPOSED PORTLAND CEMENT CONCRETE DRIVEWAY, 8" |
| 2 EXISTING P.C.C. PAVEMENT, 7" | 14 PROPOSED POLYMERIZED HOT-MIX ASPHALT SURFACE COURSE, MIX D, N50, 1 1/2" | 24 PROPOSED STEEL PLATE BEAM GUARDRAIL, TYPE A (SEE PLANS FOR LOCATION) | 35 PROPOSED SUB-BASE GRANULAR MATERIAL TYPE A, 8" |
| 3 EXISTING BITUMINOUS PAVEMENT, 9" W. OF IL RTE 170) | 15 PROPOSED POLYMERIZED HOT-MIX ASPHALT BINDER COURSE, IL-19.0, N50, 5" | 25 PROPOSED INCIDENTAL HOT-MIX ASPHALT SURFACING, 6" | 36 PROPOSED PCC SHOULDER, 9.5" |
| 4 EXISTING BITUMINOUS PAVEMENT, 6/75" (E. OF IL RTE 170) | 16 PROPOSED POLYMERIZED HOT-MIX ASPHALT BINDER COURSE, IL-19.0, N50, 6 1/2" | 26 PAVEMENT REMOVAL | 37 REMOVE AND REERECT STEEL PLATE BEAM GUARDRAIL |
| 5 EXISTING AGGREGATE SHOULDER | 17 PROPOSED AGGREGATE SUBGRADE, 12" | 27 PROPOSED BITUMINOUS MATERIALS (PRIME COAT) | 38 PROPOSED SUB-BASE GRANULAR MATERIAL, TYPE C |
| 6 EXISTING P.C.C. BASE COURSE WIDENING, 9" | 18 PROPOSED AGGREGATE SHOULDER, TYPE A, 6" | 28 TYPE B GUTTER | |
| 7 EXISTING COMB. CONC. CURB & GUTTER TY B-6-24 | 19 PROPOSED COMBINATION CONCRETE CURB AND GUTTER, TYPE B-6.24 | 29 PROPOSED EARTH SHOULDER | |
| 8 EXISTING P.C.C. SIDEWALK | 20 PROPOSED TOPSOIL PLACEMENT, 4" AND SEEDING OR SODDING (SEE PLANS) | 30 PROPOSED HOT-MIX ASPHALT SURFACE REMOVAL, 1 1/2" | |
| 9 EXISTING STEEL PLATE BEAM GUARDRAIL | 21 PROPOSED PCC SIDEWALK, 4" (SEE PLANS FOR LOCATIONS) | 31 PROPOSED POLYMERIZED HOT-MIX ASPHALT SURFACE COURSE, MIX D, N50, 1 1/2" | |
| 10 EXISTING AGGREGATE SHOULDER | 22 PROPOSED HOT-MIX ASPHALT SHOULDERS, 6 1/2" | 32 PROPOSED COMBINATION CONC. CURB AND GUTTER, TYPE B-6.12 | |
| 11 PROPOSED PORTLAND CEMENT CONCRETE PAVEMENT, 9.5" | | 33 PROPOSED SUB-BASE GRANULAR MATERIAL, TYPE A 4" | |
| 12 PROPOSED SUB-BASE GRANULAR MATERIAL, TYPE A 12" | | | |

REVISIONS	
NAME	DATE

ILLINOIS DEPARTMENT OF TRANSPORTATION

ROADWAY TYPICAL SECTIONS

RIVER ROAD

IL 170 BRIDGE REPLACEMENT AT SENECA

SCALE: 1" = 50'

DATE: OCTOBER, 2007

DRAWN BY: CJO

CHECKED BY: JCL

PLOT DATE = 10/14/2007
 FILE NAME = #17131
 PLOT SCALE = #SCALE
 USER NAME = Project