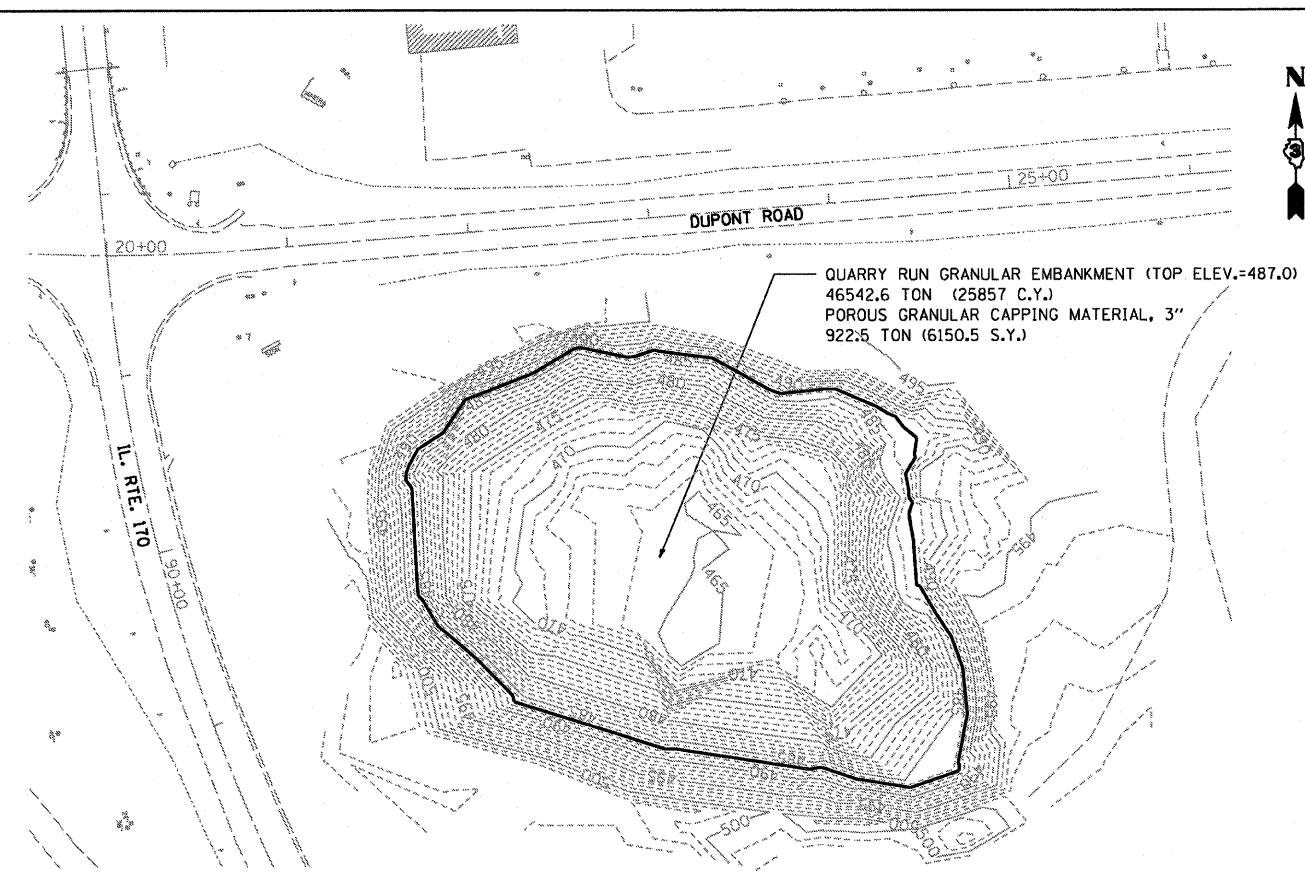


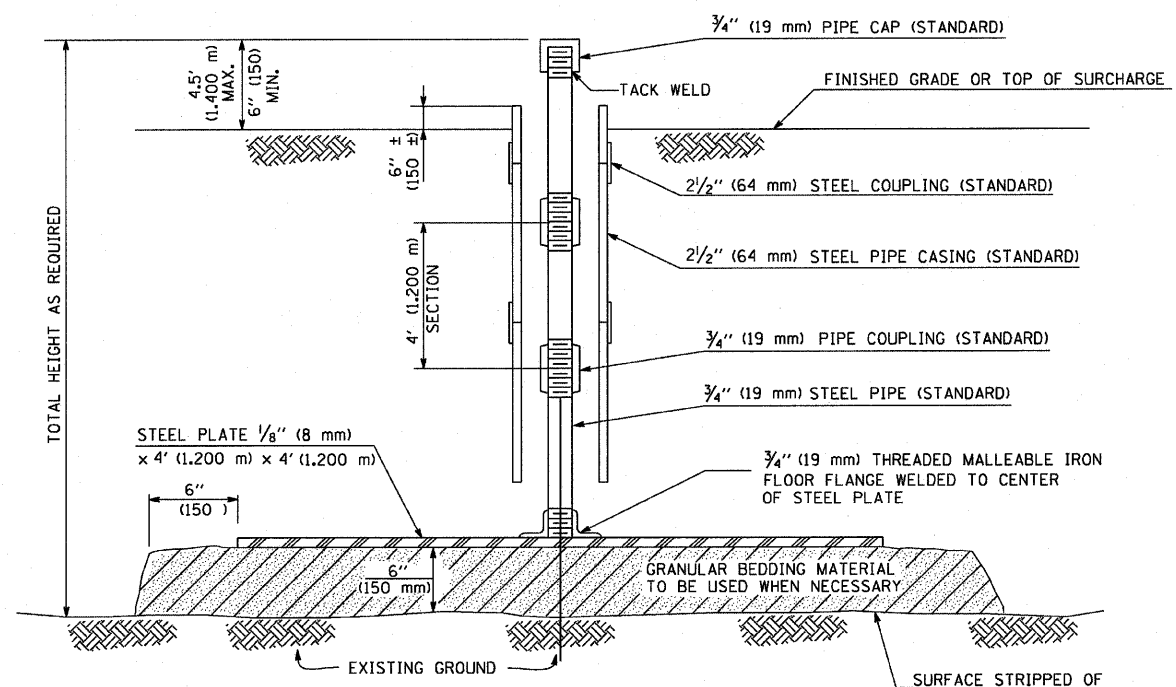
F.A.P. R.T.E.	SECTION	COUNTY	TOTAL SHEETS	SHEET NO.
	786	(109) BR	LASALLE	351 49
STA.	TO STA.			
FED. ROAD DIST. NO.	ILLINOIS FED. AID PROJECT			



QUARRY RUN GRANULAR EMBANKMENT (TOP ELEV.=487.0)  
46542.6 TON (25857 C.Y.)  
POROUS GRANULAR CAPPING MATERIAL, 3"  
922.5 TON (6150.5 S.Y.)

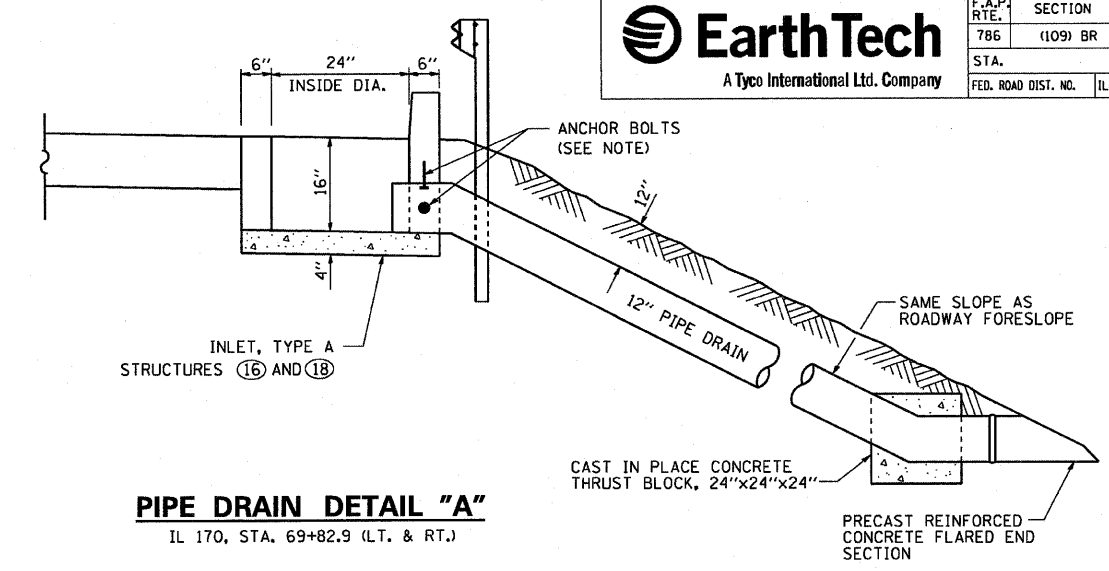
**EXISTING POND FILL DETAIL**  
SCALE: 1"=50'

NOTE: ANY NECESSARY DE-WATERING OF THE POND SHALL BE INCIDENTAL TO QUARRY RUN GRANULAR EMBANKMENT.

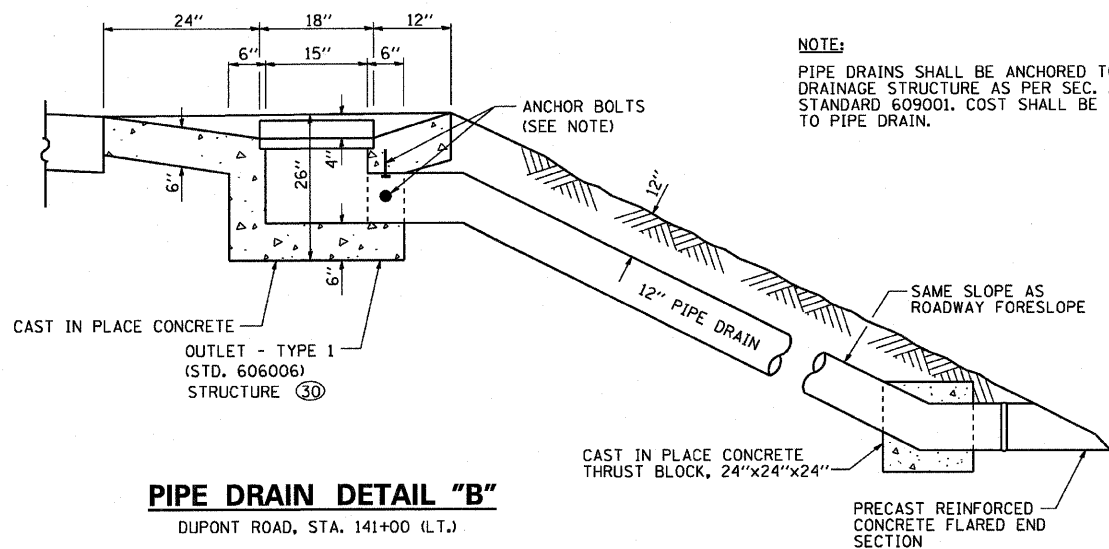


**SETTLEMENT PLATFORM DETAIL**

- NOTES:
- SEE SECTION 204.06 OF THE STANDARD SPECIFICATIONS FOR ROAD AND BRIDGE CONSTRUCTION.
  - TWO SETTLEMENT PLATFORMS SHALL BE CONSTRUCTED ON EACH SIDE OF THE RIVER AT THE CENTERLINE, THE COST IS INCIDENTAL TO EMBANKMENT.

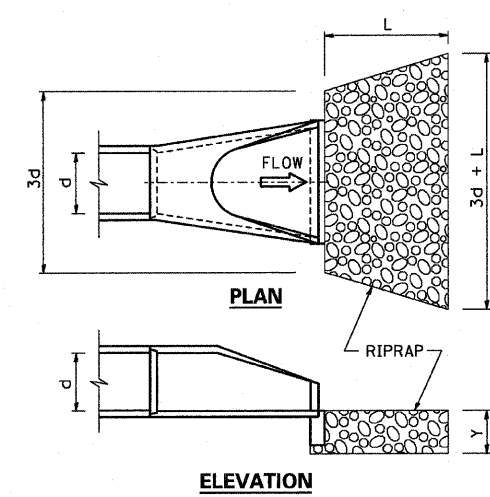


**PIPE DRAIN DETAIL "A"**  
IL 170, STA. 69+82.9 (LT. & RT.)



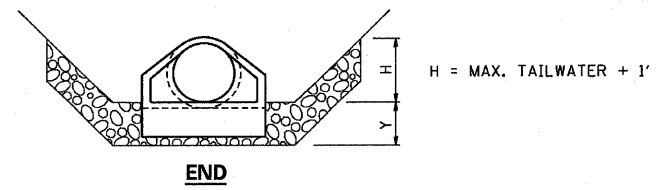
**PIPE DRAIN DETAIL "B"**  
DUPONT ROAD, STA. 141+00 (LT.)

NOTE:  
PIPE DRAINS SHALL BE ANCHORED TO THE DRAINAGE STRUCTURE AS PER SEC. A-A OF STANDARD 609001. COST SHALL BE INCIDENTAL TO PIPE DRAIN.



**RIPRAP DETAIL**

STRUCTURE NUMBER	INLET PIPE SIZE d (IN)	GRADATION	LENGTH OF APRON L (FT)	MEDIAN RIPRAP SIZE C (IN)	WIDTH OF APRON U/S FACE 3d (FT)	WIDTH OF APRON D/S FACE 3d+L (FT)	TOP OF RIPRAP ELEVATION H	DEPTH OF RIPRAP Y (IN)
25	30"	RR-3	18	5	7.5		2.5'	15
27	30"	RR-3	18	5	7.5		2.5'	15
29	30"	RR-3	18	5	7.5		2.5'	15
33	24"	RR-3	16	5	6.0	22.0		15
42	42"	RR-4	22	9	10.5		2.5'	21
47	24"	RR-3	16	5	6.0	22.0	2.5'	15



PLOT DATE = 10/11/2007  
 FILE NAME = WFILE1  
 PLOT SCALE = 1/8"=1'-0"  
 USER NAME = Project

REVISIONS		ILLINOIS DEPARTMENT OF TRANSPORTATION
NAME	DATE	
		<b>CONSTRUCTION DETAILS</b>  SCALE: N.T.S. DATE: OCTOBER, 2007 DRAWN BY: CJO CHECKED BY: JCL