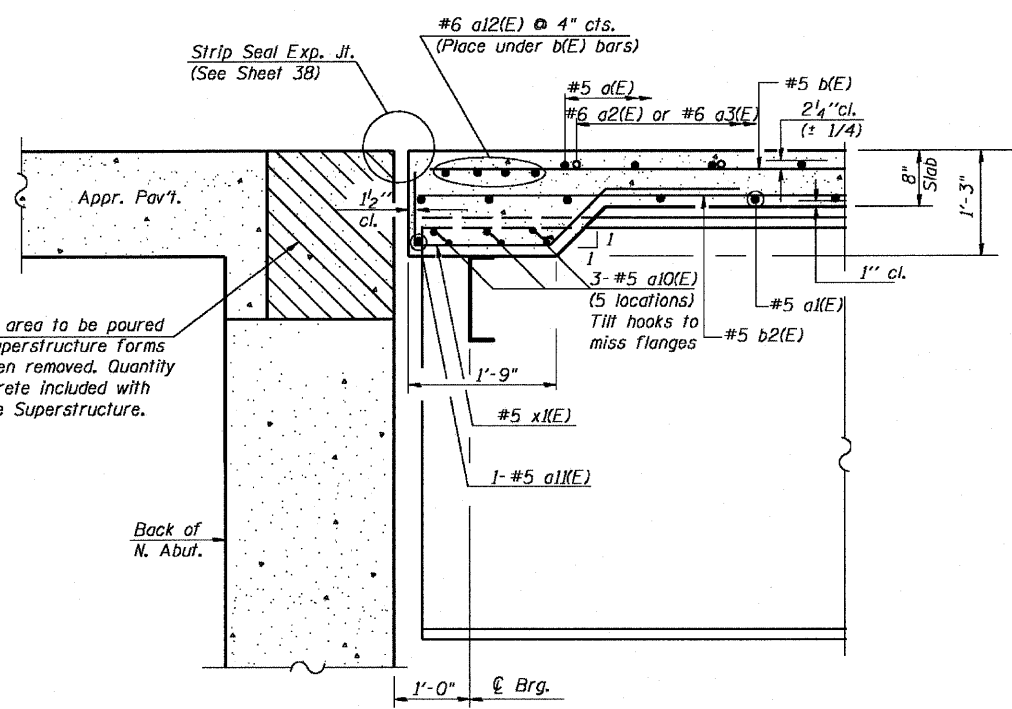
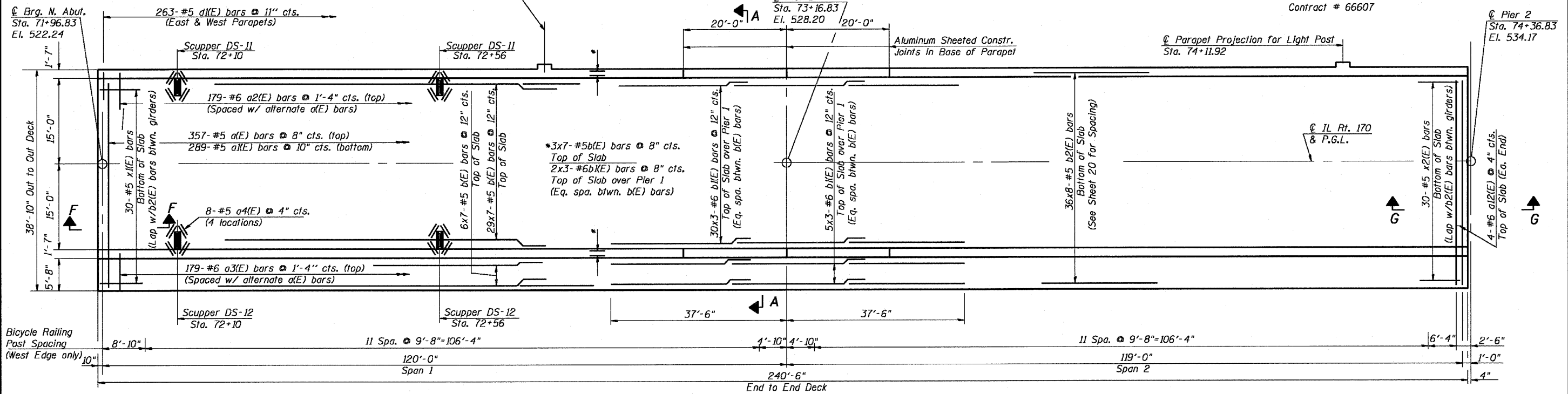


STATE OF ILLINOIS
DEPARTMENT OF TRANSPORTATION

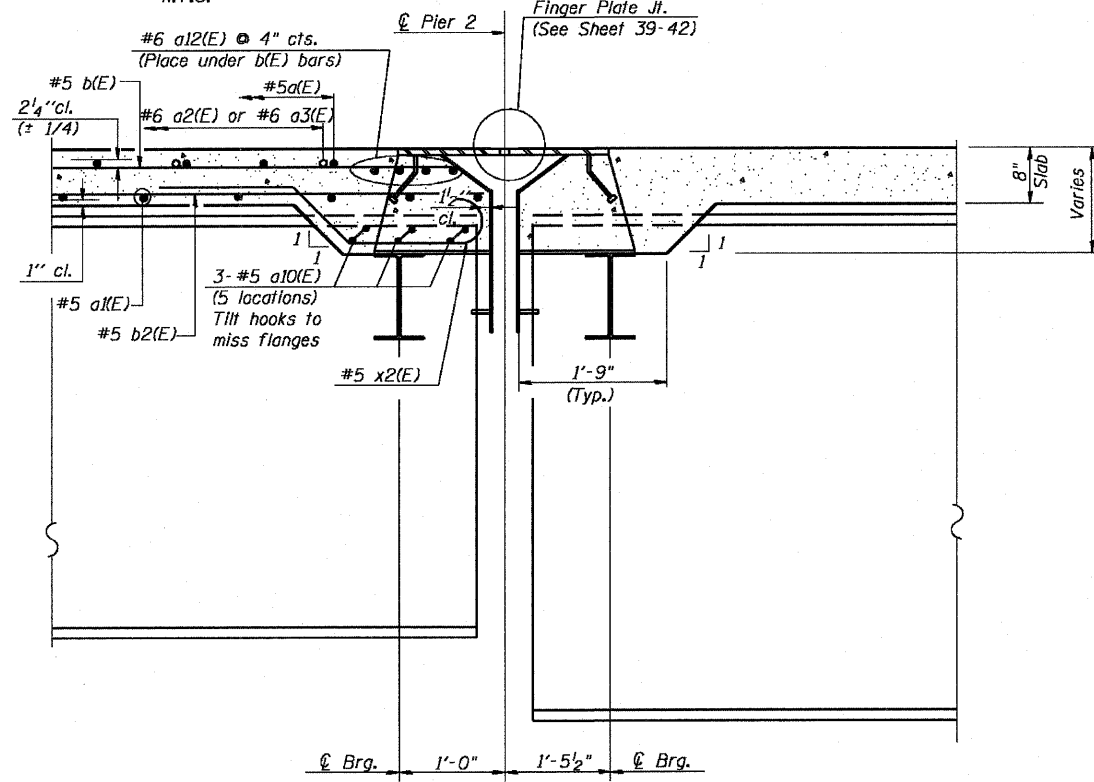


F.A.P. ROUTE NO.	SECTION	COUNTY	TOTAL SHEETS	SHEET NO.	SHEET NO. 19
786	109 BR	La Salle	351	219	89 SHEETS
FED. ROAD DIST. NO. 7	ILLINOIS	FED. AID PROJECT-			

Contract # 66607



SECTION F-F



SECTION G-G

DESIGNED - CLS
CHECKED - RJC
DRAWN - JHR
CHECKED - RJC

- Notes:**
1. Work this sheet with Sheets 20, 21, & 22.
 2. See Sheet 34 for Parapet Joint Details, Parapet Projection Details/Reinforcement, & Scupper Reinforcement Details.
 3. See Sheets 35 & 36 for DS-11 & DS-12 Drainage Scupper Details, respectively.
 4. See Sheet 37 for Bicycle Railing Details.
 5. Bars indicated thus 20x3-#5 etc. indicates 20 lines of bars with 3 lengths per line.
 6. Cut longitudinal reinforcement to clear drainage scuppers.

**SUPERSTRUCTURE PLAN
UNIT 1
IL. 170 F.A.P. 786 OVER
ILLINOIS RIVER AT SENECA
PUBLIC WATERS
LA SALLE COUNTY, SECTION 109 BR
STATION 79+04.42
STRUCTURE NO. 050-0246**