

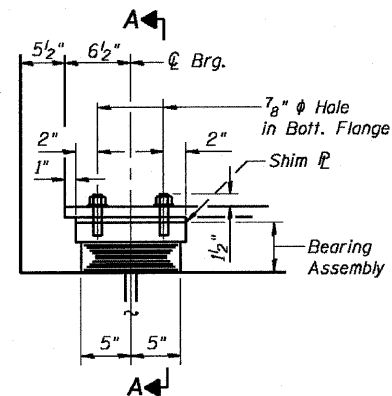
STATE OF ILLINOIS
DEPARTMENT OF TRANSPORTATION



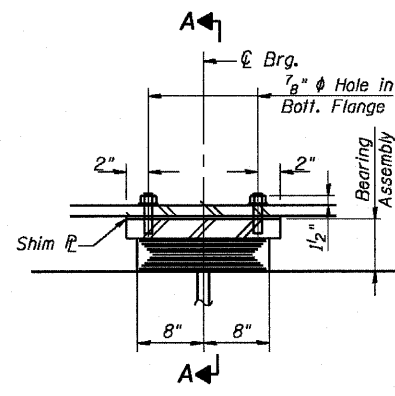
F.A.P. ROUTE NO.	SECTION	COUNTY	TOTAL SHEETS	SHEET NO.
786	109 BR	La Salle	351	256
FED. ROAD DIST. NO. 7	ILLINOIS	FED. AID PROJECT-		

SHEET NO. 56
89 SHEETS

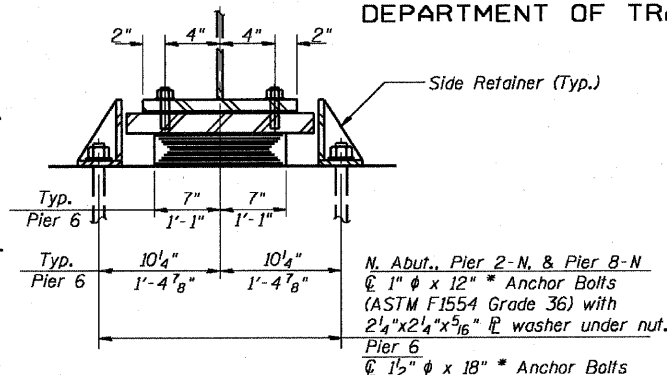
Contract # 66607



ELEVATION AT N. ABUT.
& PIERS 2-N & 8-N



ELEVATION AT PIER 6

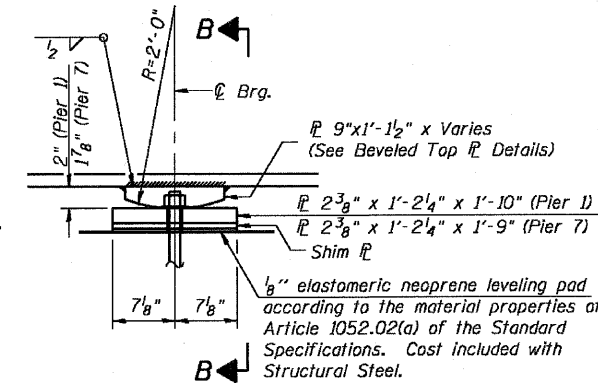


SECTION A-A

N. Abut., Pier 2-N, & Pier 8-N
1" x 12" Anchor Bolts (ASTM F1554 Grade 36) with 2 1/4" x 2 1/4" x 5/16" washer under nut.
Pier 6
1 1/2" x 18" Anchor Bolts (ASTM F1554 Grade 55) with 3" x 3" x 5/16" washer under nut.

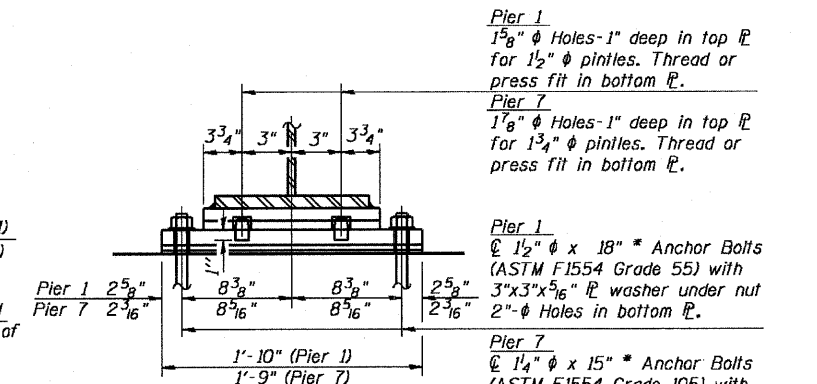
*Lengths shown are minimum required embedment lengths.

TYPE I ELASTOMERIC EXP. BRG.
AT N. ABUT. & PIERS 2-N, 6, & 8-N



ELEVATION AT PIERS 1 & 7

FIXED BEARING
AT PIERS 1 & 7



SECTION B-B

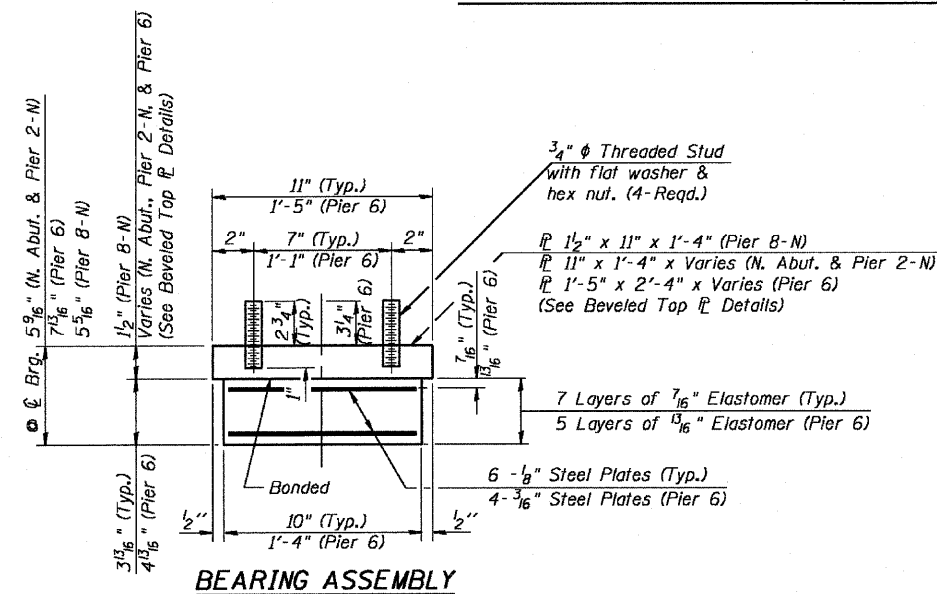
Pier 1
1 5/8" Holes-1" deep in top flange for 1 1/2" pintles. Thread or press fit in bottom flange.

Pier 7
1 3/4" Holes-1" deep in top flange for 1 3/4" pintles. Thread or press fit in bottom flange.

Pier 1
1 1/2" x 18" Anchor Bolts (ASTM F1554 Grade 55) with 3" x 3" x 5/16" washer under nut
2" Holes in bottom flange.

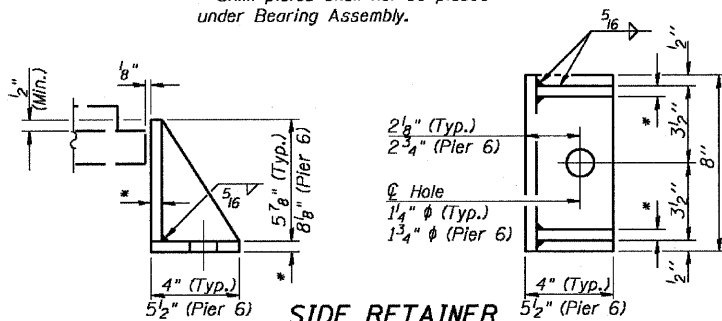
Pier 7
1 1/4" x 15" Anchor Bolts (ASTM F1554 Grade 105) with 2 3/4" x 2 3/4" x 5/16" washer under nut
1 3/4" Holes in bottom flange.

*Lengths shown are minimum required embedment lengths.



BEARING ASSEMBLY

Note:
Shim plates shall not be placed under Bearing Assembly.



SIDE RETAINER

Equivalent rolled angle with stiffeners will be allowed in lieu of welded plates.

* Thickness = 1/2" (Typ.) & 5/8" (Pier 6)

DESIGNED - CLS
CHECKED - DEV
DRAWN - JHR
CHECKED - RJC

Notes:

Anchor bolts shall be ASTM F1554 all-thread (or an Engineer-approved alternate material) of the grade(s) and diameter(s) specified. ASTM A307 Grade C anchor bolts may be used in lieu of ASTM F1554 Grade 36 (Fy=36ksi). The corresponding specified grade of AASHTO M314 anchor bolts may be used in lieu of ASTM F1554.

Anchor bolts at fixed bearings may be either cast in place or installed in holes drilled after the supported member is in place. Anchor bolts for side retainers may be cast in place or installed in holes drilled before or after members are in place.

Drilled and set anchor bolts shall be installed according to Article 521.06 of the Standard Specifications.

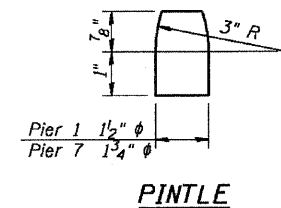
Side retainers and other steel members required for the bearing assembly shall be included in the cost of Elastomeric Bearing Assembly, Type I.

The structural steel plates of the Bearing Assembly shall conform to the requirements of AASHTO M 270 Grade 50W.

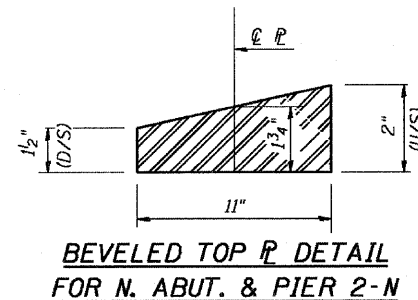
Two 1/8 in. adjusting shims shall be provided for each bearing in addition to all other plates or shims and placed as shown on bearing details.

All side retainers, anchor bolts, nuts, washers, and pintles shall be galvanized according to AASHTO M111 or M232 *as applicable*.

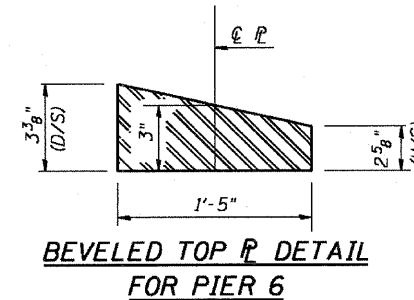
H.S. bolts in bearing assembly shall be galvanized according to AASHTO M298 Class 50.



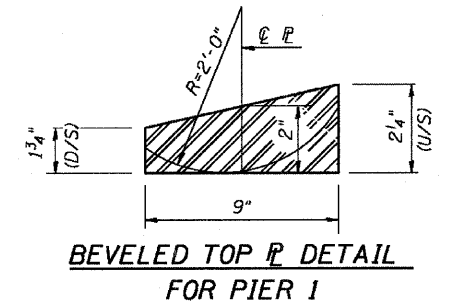
PINTLE



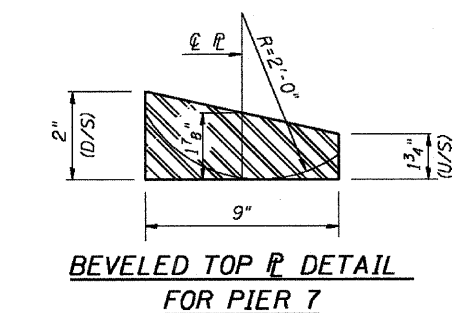
BEVELED TOP FLANGE
FOR N. ABUT. & PIER 2-N



BEVELED TOP FLANGE
FOR PIER 6



BEVELED TOP FLANGE
FOR PIER 1



BEVELED TOP FLANGE
FOR PIER 7

BILL OF MATERIAL

Item	Unit	Total
Elastomeric Bearing Assembly Type I	Each	26
Anchor Bolts 1"	Each	38
Anchor Bolts 1 1/4"	Each	14
Anchor Bolts 1 1/2"	Each	26

ELASTOMERIC BEARING
ASSEMBLY I
IL. 170 F.A.P. 786 OVER
ILLINOIS RIVER AT SENECA
PUBLIC WATERS
LA SALLE COUNTY, SECTION 109 BR
STATION 79+04.42
STRUCTURE NO. 050-0246