

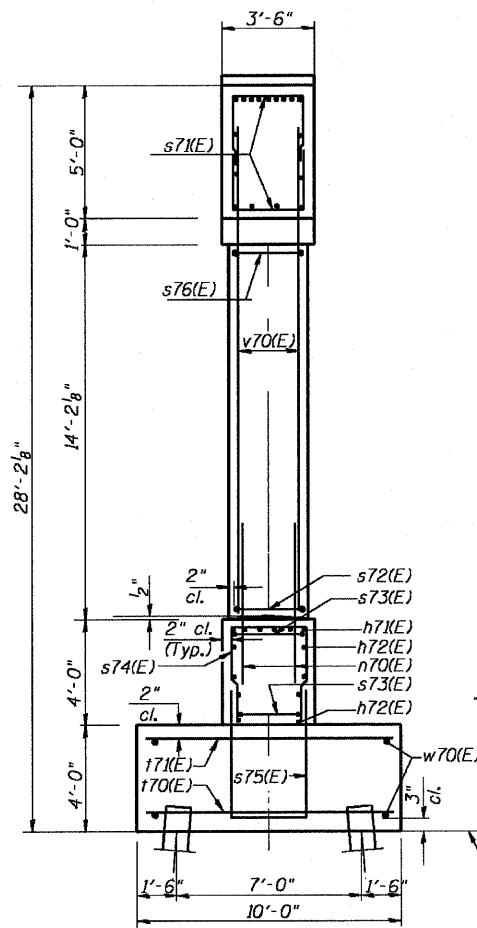
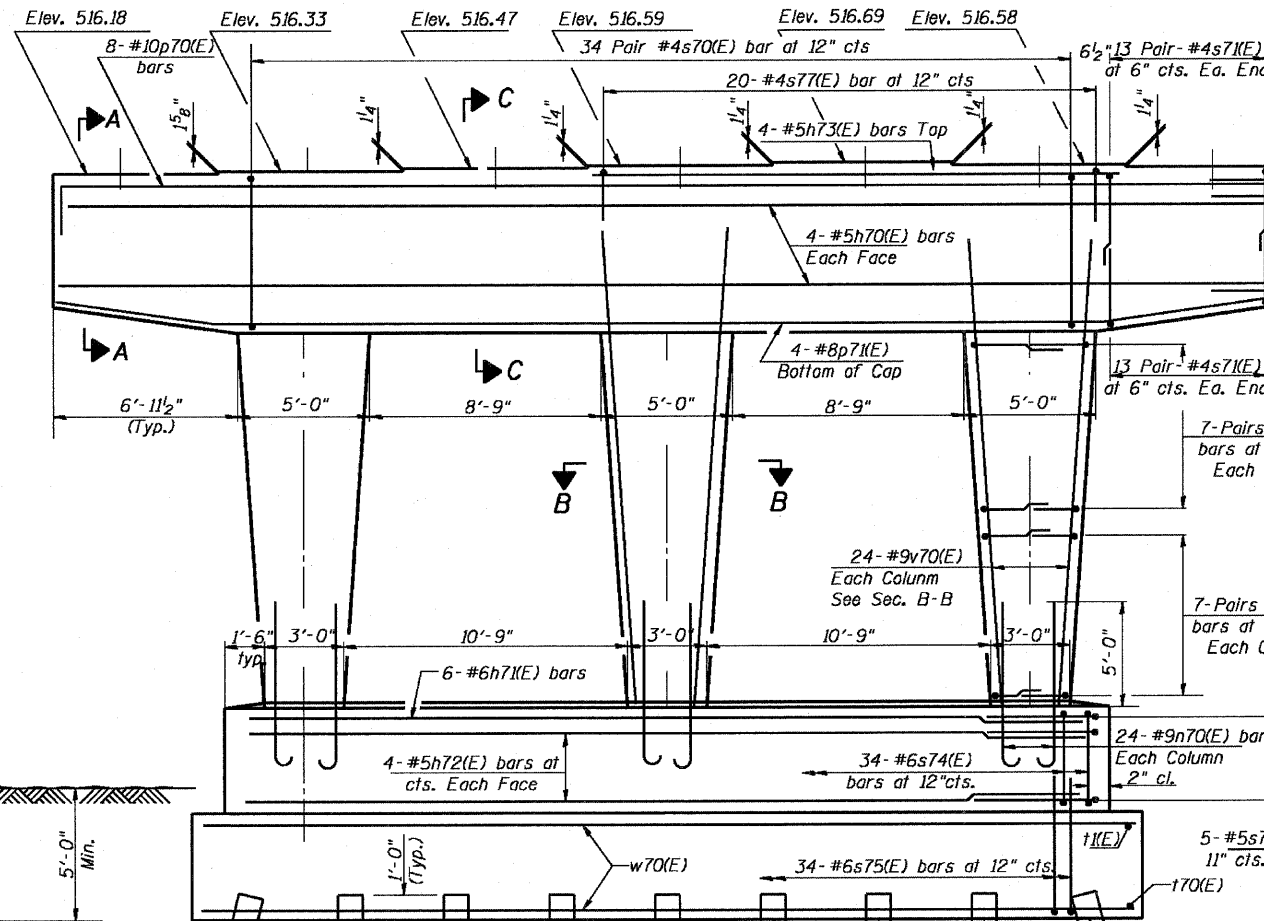
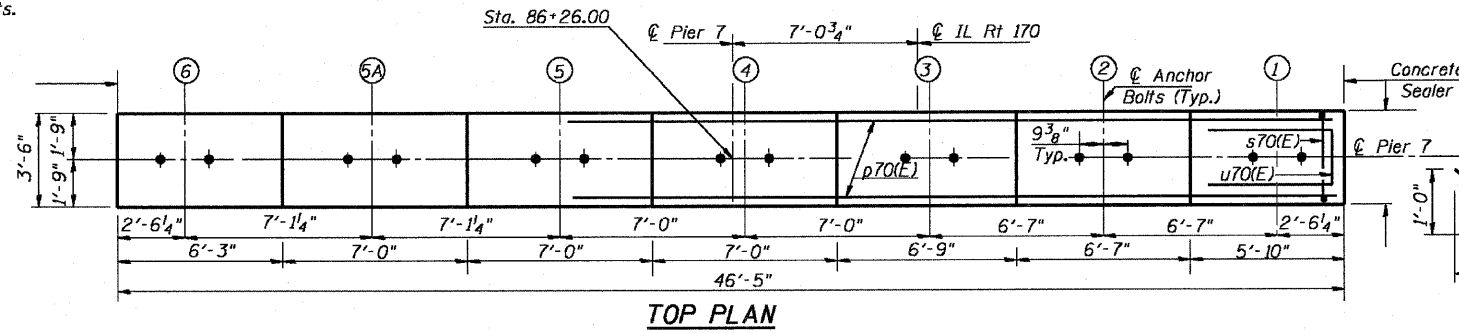
STATE OF ILLINOIS
DEPARTMENT OF TRANSPORTATION



F.A.P. ROUTE NO.	SECTION	COUNTY	SHEET NO.	SHEET NO.
786	109 BR	La Salle	351	277
FED. ROAD DIST. NO. 7	ILLINOIS	FED. AID PROJECT		

Contract # 66607

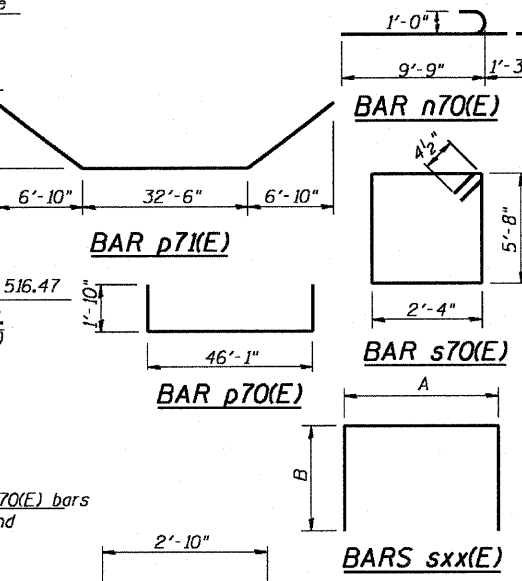
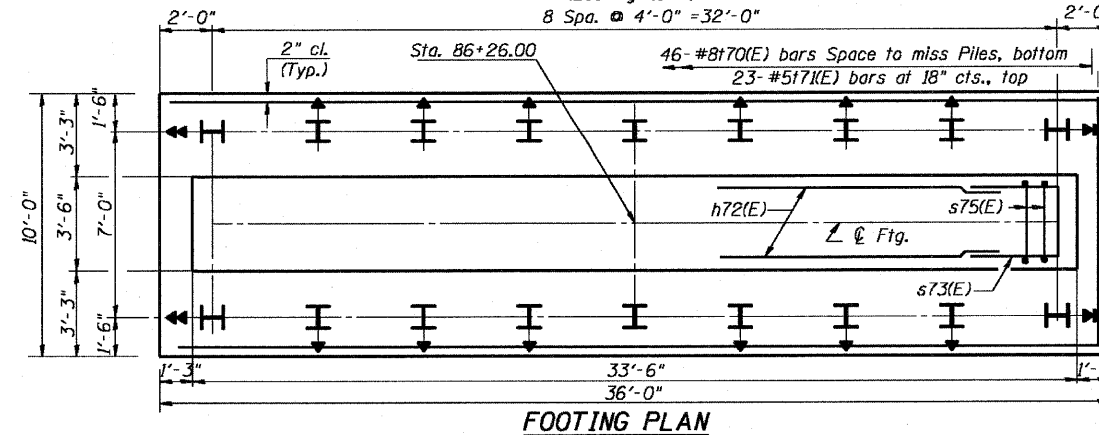
Notes:
Space reinforcement in cap to miss anchor bolts.
Pour steps monolithically with cap.
For details of piles, see sheet 81 of 89.



PILE DATA END VIEW

Type: HP12x74 with Pile Shoes
Nominal Required Bearing = 589K
Allowable Resistance Available = 196K
Est. Length: 30'
No. Production Piles: 17
No. Test Piles: 1

DESIGNED - RJC
CHECKED - DEV
DRAWN - JHR
CHECKED - DEV

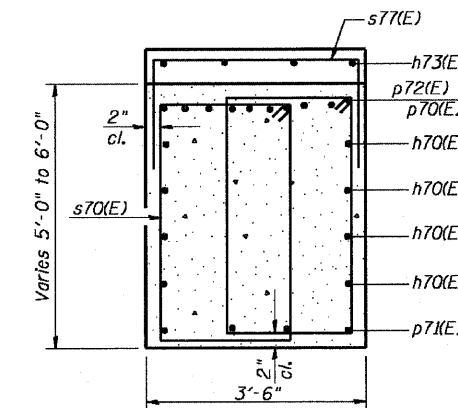


A & B DIMENSIONS

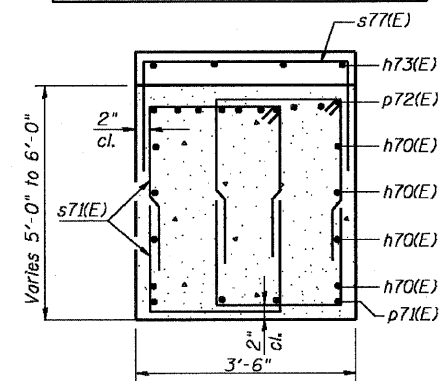
Bar	A	B
s7(K)	2'-4"	3'-8"
s72(E)	2'-8"	2'-8"
s73(E)	3'-2"	2'-2"
s74(E)	3'-2"	3'-10"
s75(E)	3'-2"	6'-4"
s76(E)	2'-8"	3'-8"
s77(E)	3'-2"	2'-6"

BILL OF MATERIAL

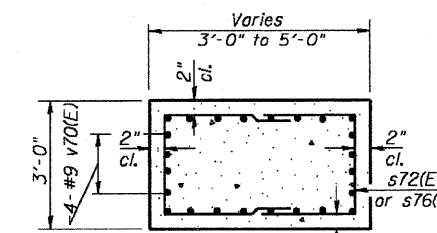
Bar	No.	Size	Length	Shape
h70(E)	8	#5	46'-1"	
h71(E)	6	#6	33'-2"	
h72(E)	8	#5	33'-2"	
h73(E)	4	#5	19'-0"	
n70(E)	72	#9	11'-0"	
p70(E)	8	#10	49'-9"	
p7(K)	4	#8	46'-4"	
s70(E)	68	#4	16'-9"	
s71(E)	104	#4	9'-8"	
s72(E)	42	#4	8'-0"	
s73(E)	10	#5	7'-6"	
s74(E)	34	#6	10'-10"	
s75(E)	34	#6	15'-10"	
s76(E)	42	#4	10'-0"	
s77(E)	20	#4	8'-2"	
t70(E)	46	#8	9'-8"	
t7(K)	23	#5	9'-8"	
u70(E)	10	#6	8'-10"	
v70(E)	72	#9	17'-6"	
w70(E)	30	#8	35'-8"	
Structure Excavation	Cu. Yd.	120		
Concrete Structures	Cu. Yd.	126		
Reinforcement Bars, Epoxy Coated	Pound	18,140		
Furnishing Steel Piles HP 12x74	Foot	510		
Driving Piles	Foot	510		
Test Pile	Each	1		
Pile Shoes	Each	18		



SECTION A-A



SECTION C-C



SECTION B-B

PIER 7
IL. 170 F.A.P. 786 OVER
ILLINOIS RIVER AT SENECA
PUBLIC WATERS
LA SALLE COUNTY, SECTION 109 BR
STATION 79+04.42
STRUCTURE NO. 050-0246