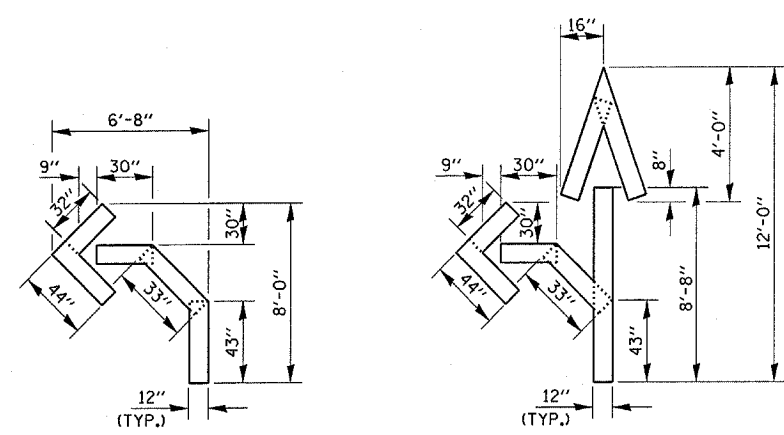
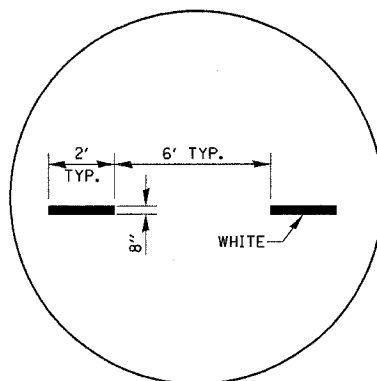
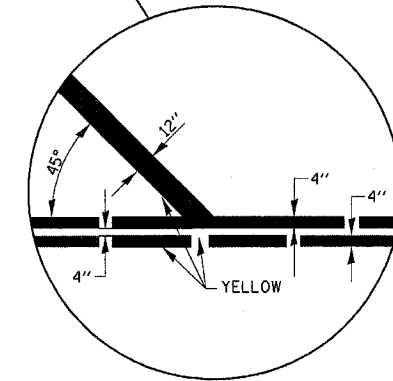
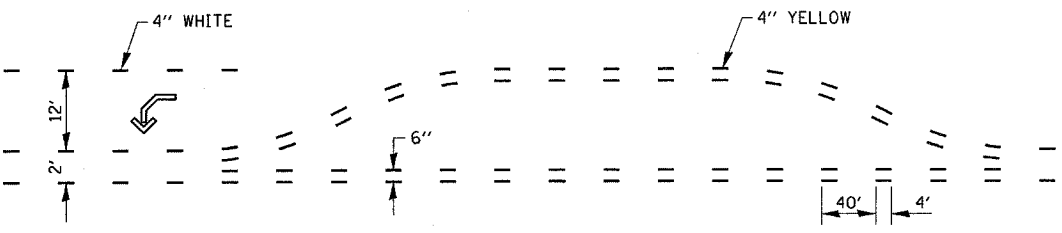


**TYPICAL APPLICATION
@ LEFT TURN LANES**

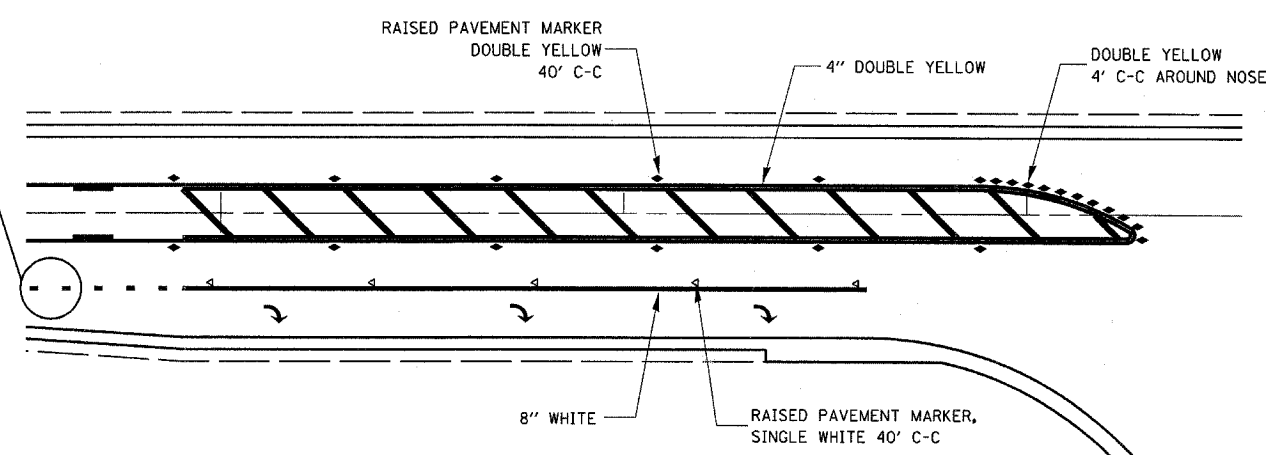


QUANTITY
12" LINE = 16 LIN. FT.
OR 4" LINE = 48 LIN. FT.

QUANTITY
12" LINE = 29 LIN. FT.
OR 4" LINE = 87 LIN. FT.



**SHORT-TERM PAVEMENT MARKING
FOR MEDIANS AND ARROWS**



**RAISED REFLECTIVE AND PAVEMENT MARKERS
@ RIGHT TURN LANE**

| | | | | | | | | | | | | |
|--|--|------------|-----------|---|----------------|---------------------|------|--------------------|---|-------------|--------------------|-----------------|
| FILE NAME = c:\projects\ed05506\details.dgn | USER NAME = duncanbd | DESIGNED - | REVISED - | STATE OF ILLINOIS DEPARTMENT OF TRANSPORTATION | DETAILS | | | F.A.P. RTE. 591 | SECTION (15R)RS-5 | COUNTY * | TOTAL SHEETS 25 | SHEET NO. 18 |
| | PLOT SCALE = 50.0000' / IN. | DRAWN - | REVISED - | | SCALE: | SHEET NO. OF SHEETS | STA. | TO STA. | CONTRACT NO. 66682 | | | |
| | PLOT DATE = Oct 18, 2007 - 03:26:25 PM | CHECKED - | REVISED - | | | | | | FED. ROAD DIST. NO. ILLINOIS FED. AID PROJECT | | | |
| | | DATE - | REVISED - | | | | | | *DEKALB & KENDALL | | | |