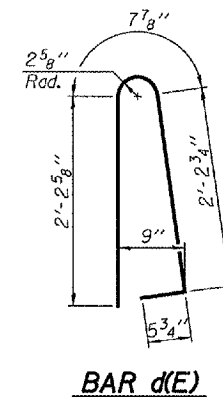
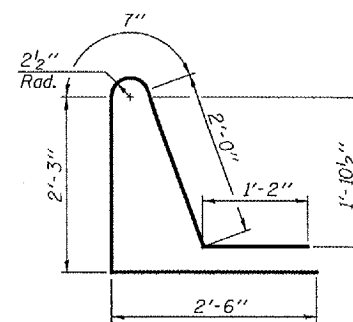
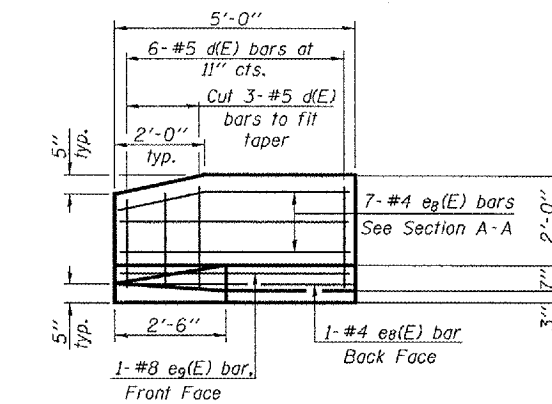
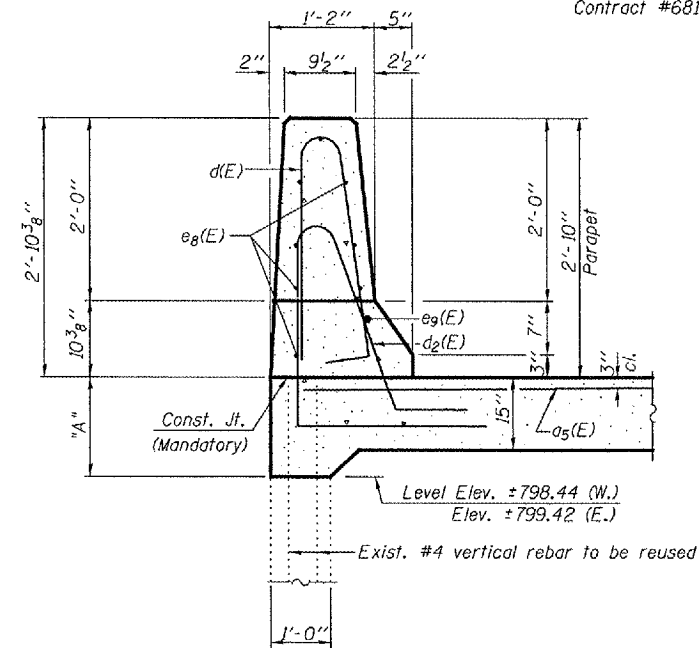
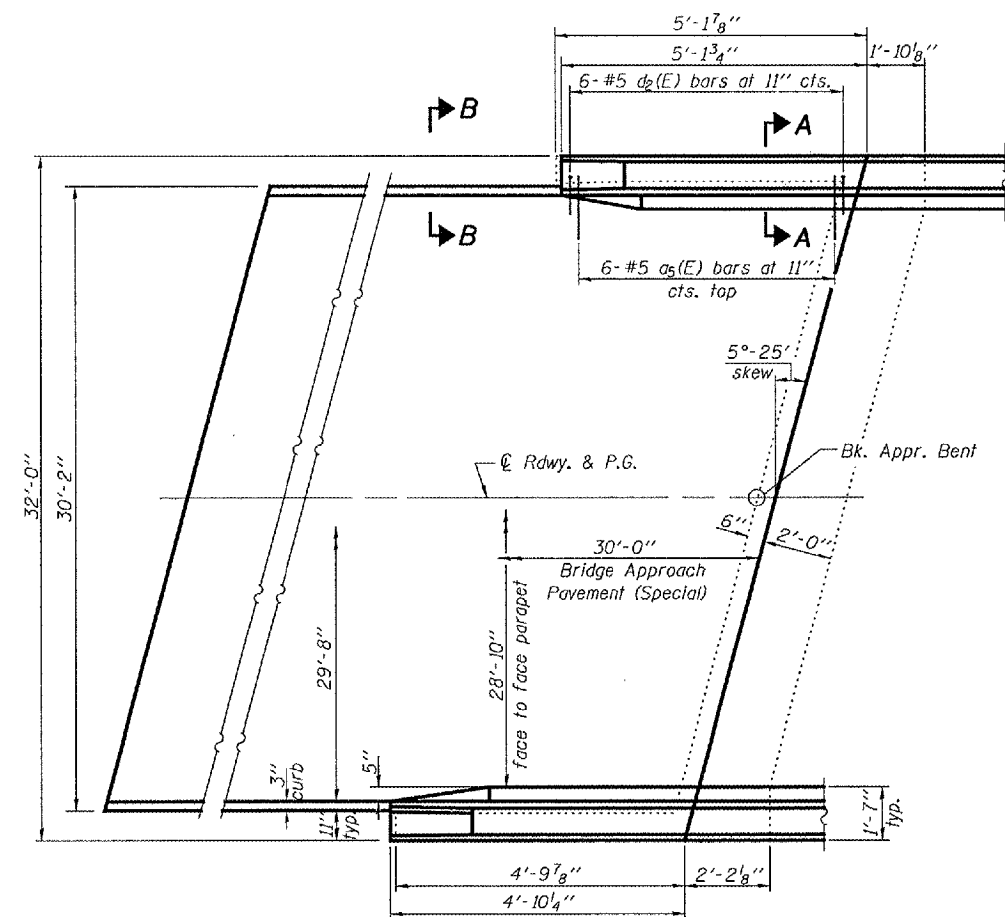
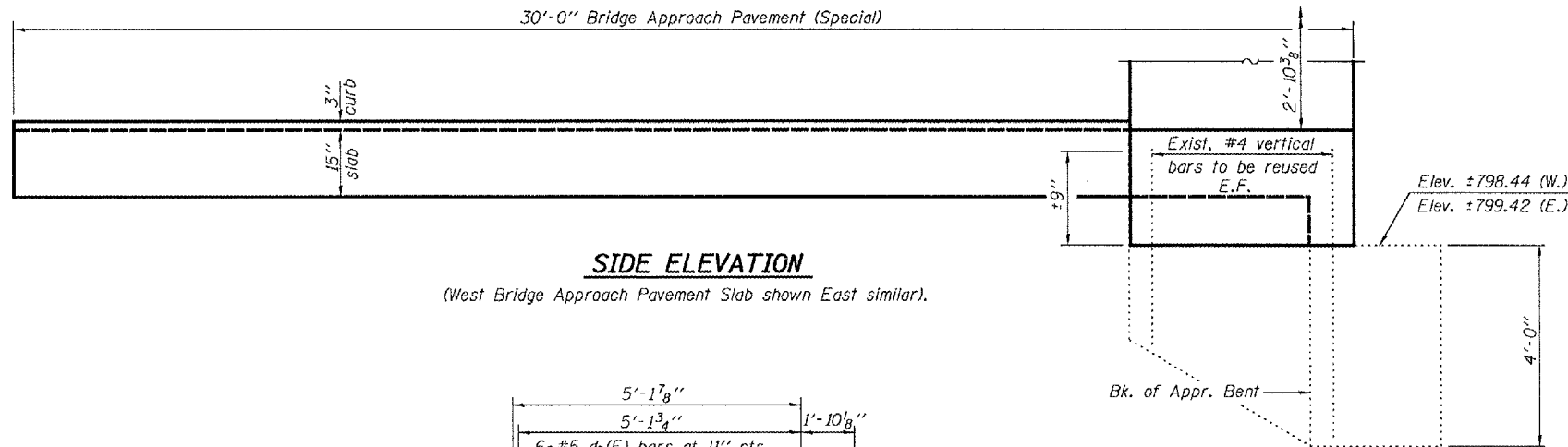


STATE OF ILLINOIS  
DEPARTMENT OF TRANSPORTATION

ROUTE NO.	SECTION	COUNTY	SHEET	SHEET NO. 11
F.A.P. 313	18-HB	KNOX	70 34	23 SHEETS
FED. ROAD DIST. NO. 7	ILLINOIS	FED. AID PROJECT		

Contract #68190



**\*TWO BRIDGE APPROACH  
PAVEMENT SLAB PARAPETS  
BILL OF MATERIAL**

Bar	No.	Size	Length	Shape
d <sub>5</sub> (E)	24	#5	6'-0"	—
d(E)	24	#5	5'-7"	⌒
d <sub>2</sub> (E)	24	#5	8'-6"	⌒
e <sub>8</sub> (E)	32	#4	4'-8"	—
e <sub>9</sub> (E)	4	#8	4'-8"	—
Reinforcement Bars, Epoxy Coated			Pound	650

Notes: \*Quantities are shown for information only. Cost is included with Bridge Approach Pavement (Special). See Roadway Plans.  
For additional approach pavement details, see Roadway Plans.

**TABLE FOR DIMENSION "A"**

Location	"A"
West Vault North Side	Varies from ±1'-7 1/4" to ±1'-8 1/8"
West Vault South Side	Varies from ±1'-6 5/8" to ±1'-7 1/2"
East Vault North Side	Varies from ±1'-7 1/8" to ±1'-7 1/2"
East Vault South Side	Varies from ±1'-7 3/8" to ±1'-7 5/8"

\*Dimension shown varies from beginning of parapet on bridge approach pavement (Special) to end of parapet at bent.

DESIGNED Stephen M. Ryan  
CHECKED Phillip R. Litchfield  
DRAWN R. Sommer  
CHECKED SMR/SEM

EXAMINED Thomas J. Domagala  
PASSED Robert E. Anderson  
NOV 20 2007

**BRIDGE APPROACH PAVEMENT (SPECIAL) SLAB DETAILS**  
F.A.P. RT. 313 SECTION 18-HB  
KNOX COUNTY  
STATION 20+11.14  
STRUCTURE NO. 048-0069