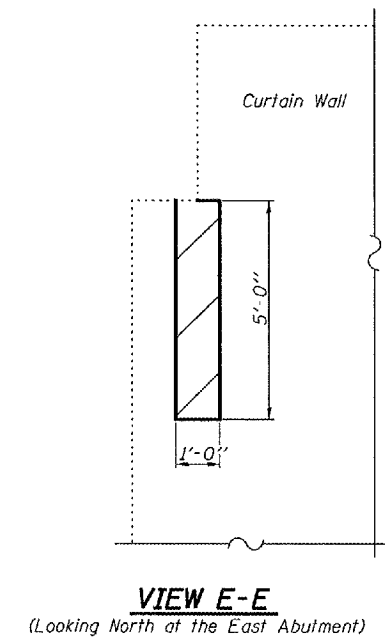
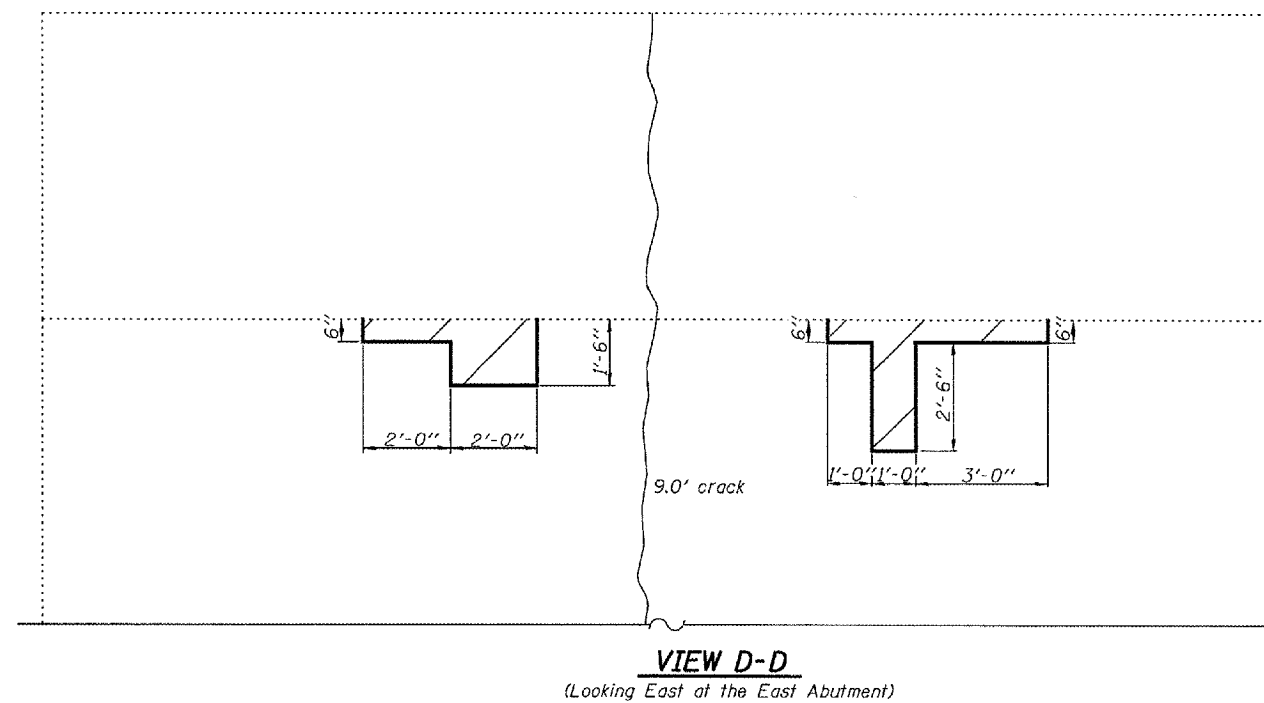
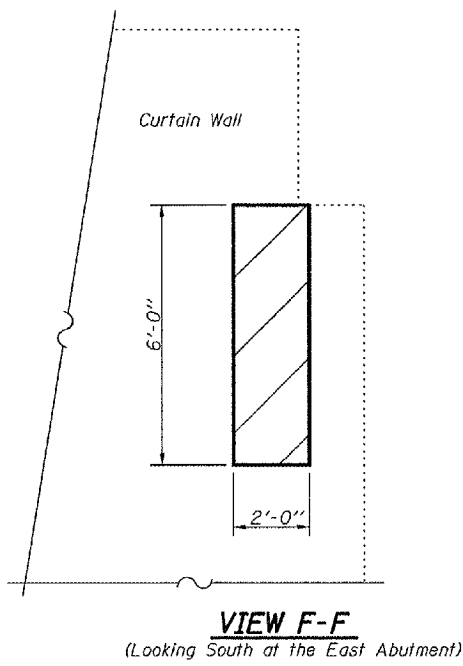
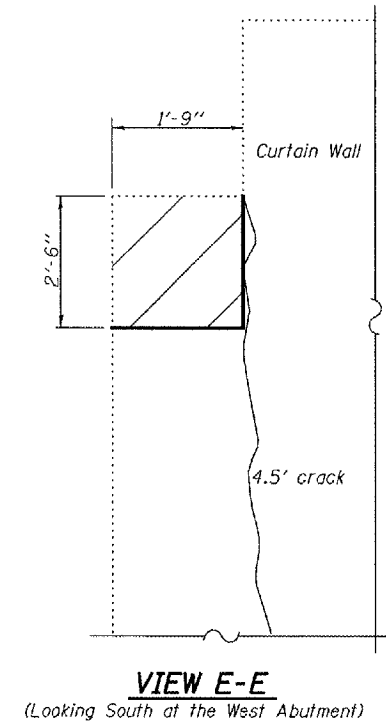
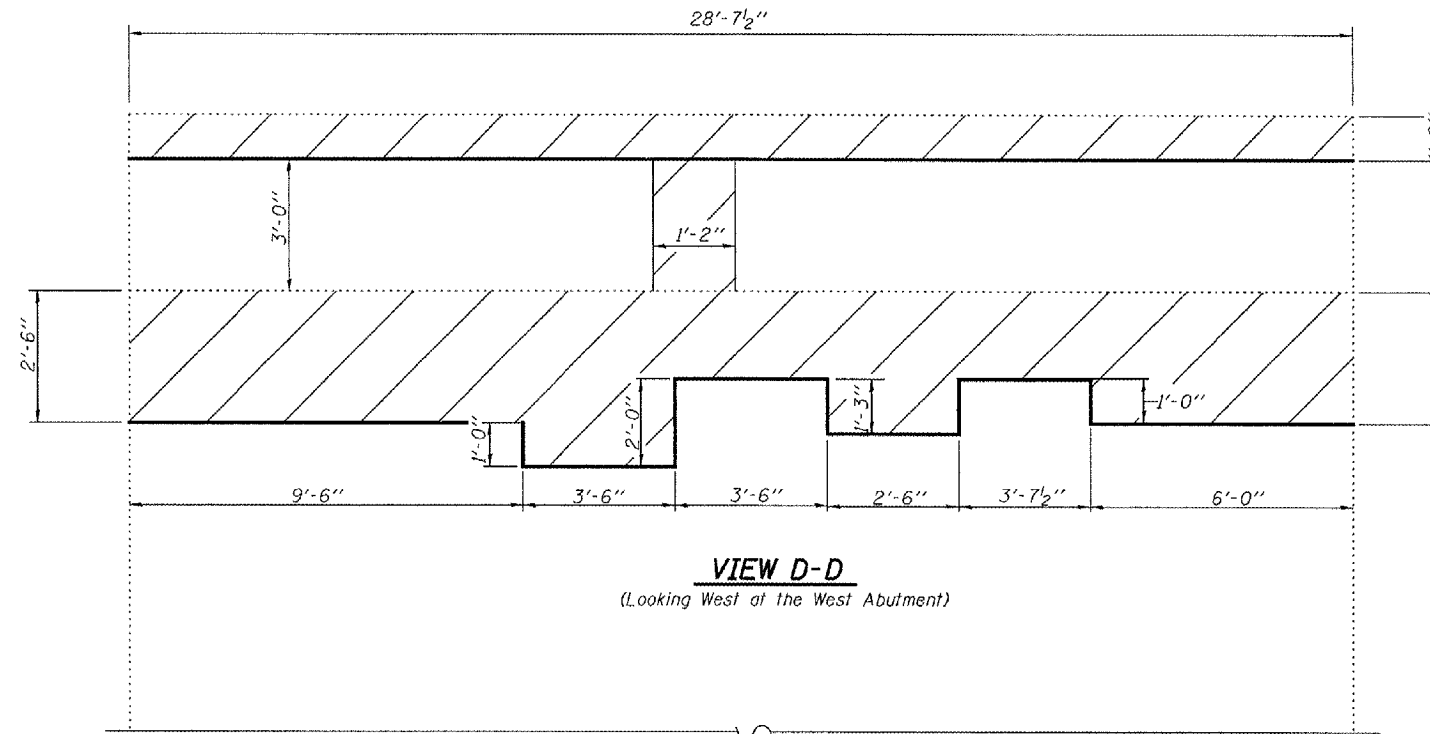
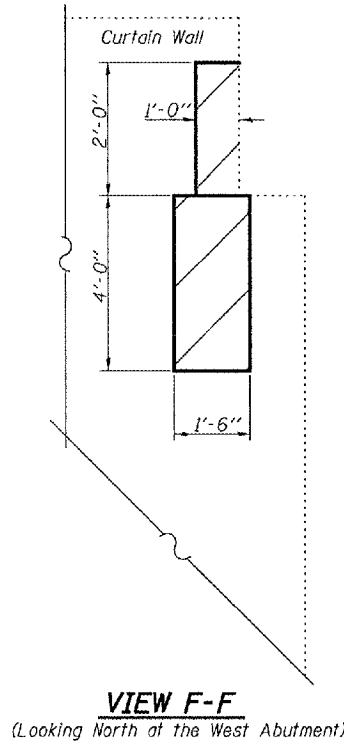


STATE OF ILLINOIS
DEPARTMENT OF TRANSPORTATION

ROUTE NO.	SECTION	COUNTY	SHEET NO.	SHEET NO.
F.A.P. 313	18-HB	KNOX	70	43
FED. ROAD DIST. NO. 7		ILLINOIS	FED. AID PROJECT	

Contract #68190

SHEET NO. 20
23 SHEETS



DESIGNED	Stephen M. Ryan
CHECKED	Phillip R. Litchfield
DRAWN	R. Sommer
CHECKED	SMR/SEM

EXAMINED	Thomas J. Demagallibi	Nov. 20 2007
PASSED	Ronald E. Anderson	

Epoxy Crack Injection

Structural Repair of Concrete
(Depth equal to or less than
5 inches)

CONCRETE REMOVAL & REPAIR DETAILS-ABUTMENTS
F.A.P. RT. 313 SECTION 18-HB
KNOX COUNTY
STATION 20+11.14
STRUCTURE NO. 048-0069