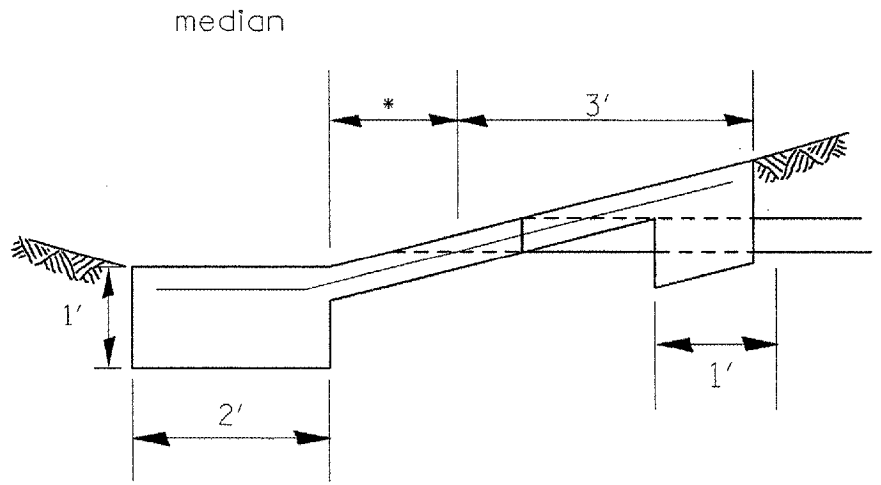
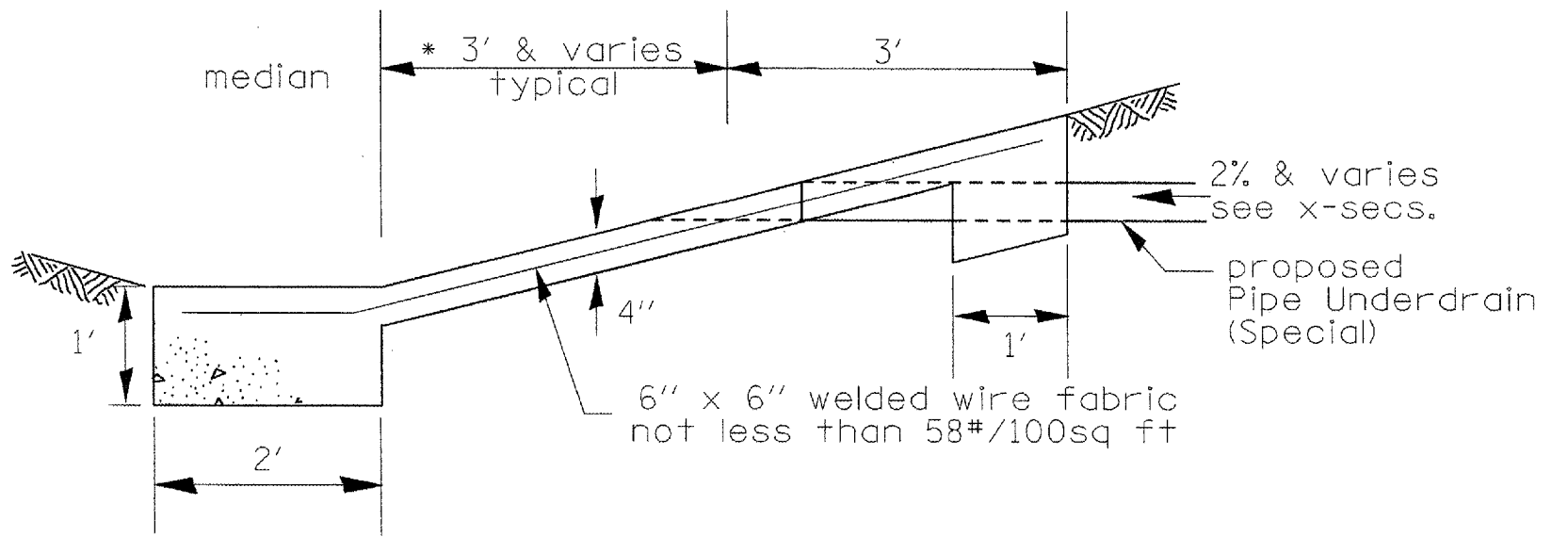


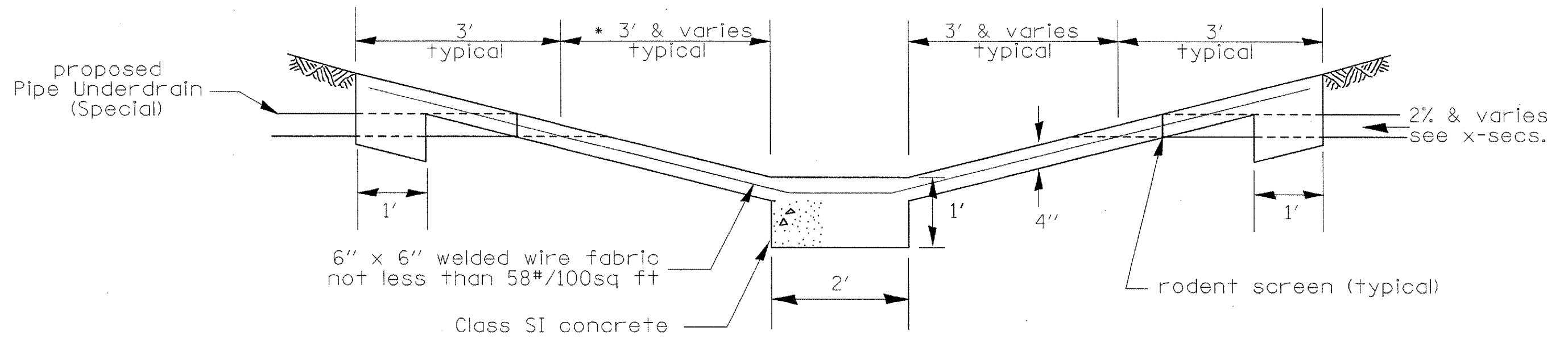
F.A. RTE.	SECTION	COUNTY	TOTAL SHEETS	SHEET NO.
313	18RS,18HB11	Knox	70	52
STA.	TO STA.			
FED. ROAD DIST. NO.	ILLINOIS FED. AID PROJECT			



* Varies at locations where the outlet is less than 3 feet from the ditch flow line.



Type II



Type III

PLOT DATE = 10/12/2007
 PLOT SCALE = 1/8" = 1'-0"
 USER NAME = bruceba

REVISIONS	
NAME	DATE

ILLINOIS DEPARTMENT OF TRANSPORTATION

Outlet
Protector
Type II & III

SCALE: not drawn
DATE to scale

DRAWN BY: dml 8/07
CHECKED BY: