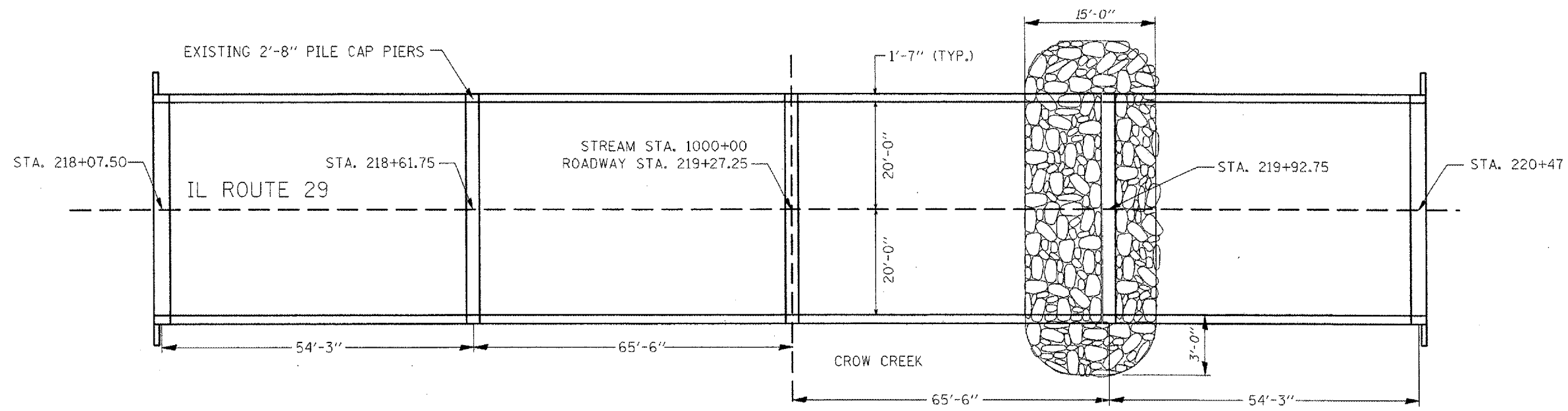
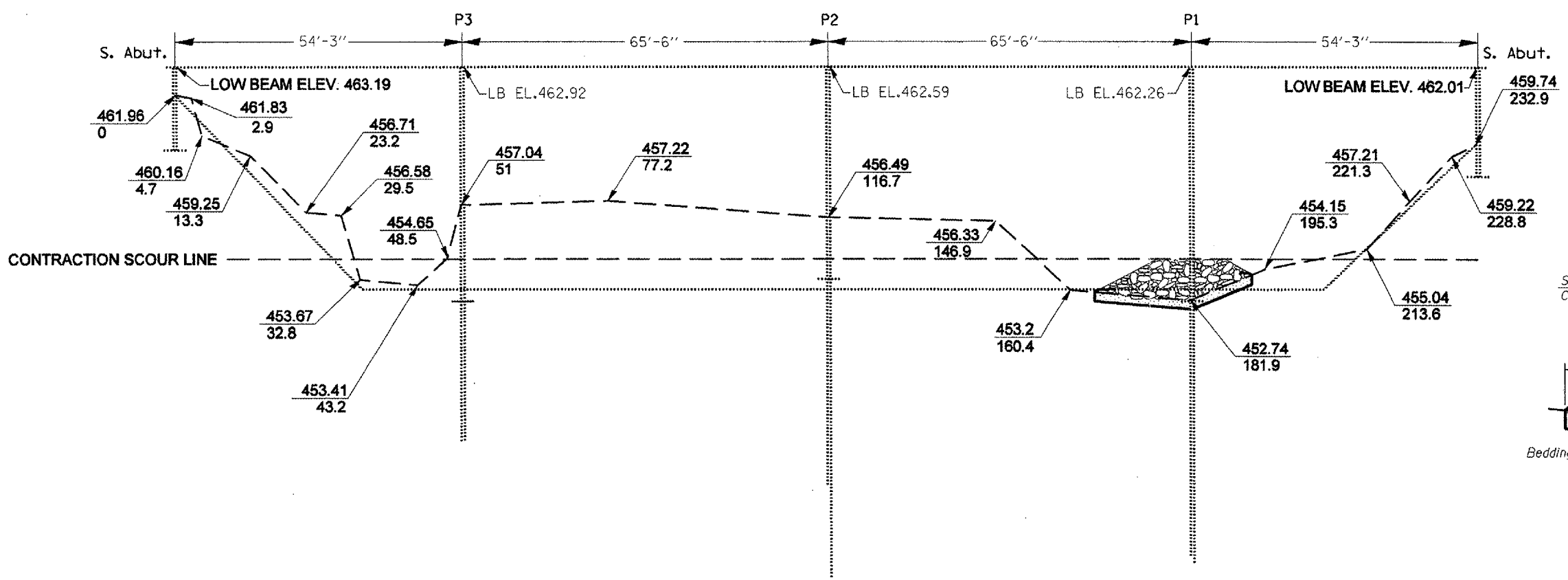


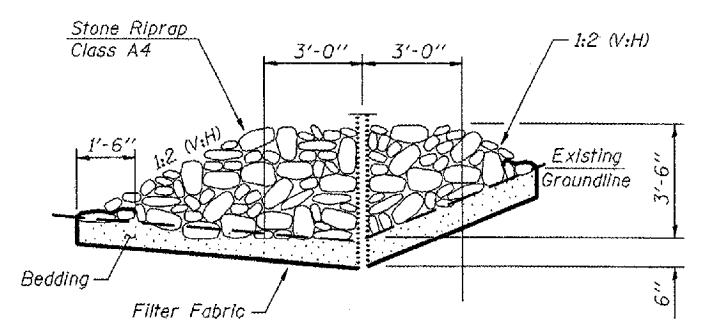
F.A.P. RTE.	SECTION	COUNTY	TOTAL SHEETS	SHEET NO.
318	IRS-1, 2RS-2, 3RS-3, (106)RS-5	MARSHALL	28	21
FED. ROAD DIST. NO.		ILLINOIS	FED. AID PROJECT	
STA. 218+07.50		TO STA. 220+47		



PLAN

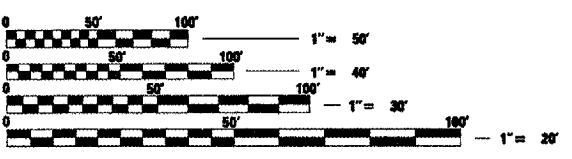


ELEVATION



STONE RIPRAP DETAIL

SN062-0004 IL.29
over Crow Creek.



REVISIONS	
NAME	DATE
CEJ-bedding thickness	7-27-07

ILLINOIS DEPARTMENT OF TRANSPORTATION

**SCOUR MITIGATION
DETAIL FOR S.N. 062-004**

SCALE: VERT. 1/8"
HORIZ. 0.45"
DATE: 07-25-2007

DRAWN BY CEJ
CHECKED BY

PLOT DATE: 10/10/2007
 FILE NAME: \\FILES\GEN\BAP\T\SET\PLAN\SN062-004\SCOUR\Mitigation\Plan\062-004_IL29overCrowCreek.dgn
 REFERENCE: 7 IN