

ROUTE NO.	SECTION	COUNTY	TOTAL SHEETS	SHEET NO.
F.A.S. 1380	*	PEORIA	16	16
FED. ROAD DIST. NO. 4		ILLINOIS	FED. AID PROJECT	

\* D4 SCOUR MITIGATION 2008

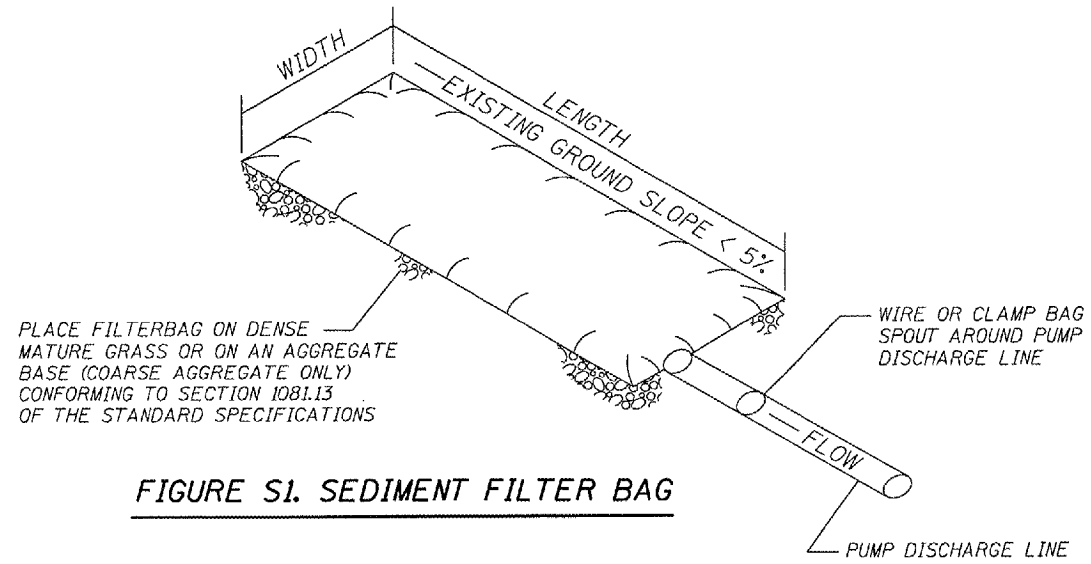


FIGURE S1. SEDIMENT FILTER BAG

ENSURE THAT RUNOFF FROM THE BAG LOCATION IS PREVENTED FROM CAUSING EROSION BY GRASS, STONE, OR GEOTEXTILE LINING OF DISCHARGE CHANNEL.

REMOVE SILT WHEN BAG IS HALF FULL OR MORE OFTEN IF RECOMMENDED BY THE MANUFACTURER. DISPOSE OF SILT BY TRANSPORTING THE FILLED BAG TO DISPOSAL AREA. SLIT THE BAG, BLEND SILT INTO EXISTING TOPOGRAPHY, SEED AND MULCH

MAINTAIN EXTRA FILTER BAGS ON SITE. REPLACE DAMAGED BAGS PROMPTLY

TYPICAL FLOW RATE: 10 GPM x W x L

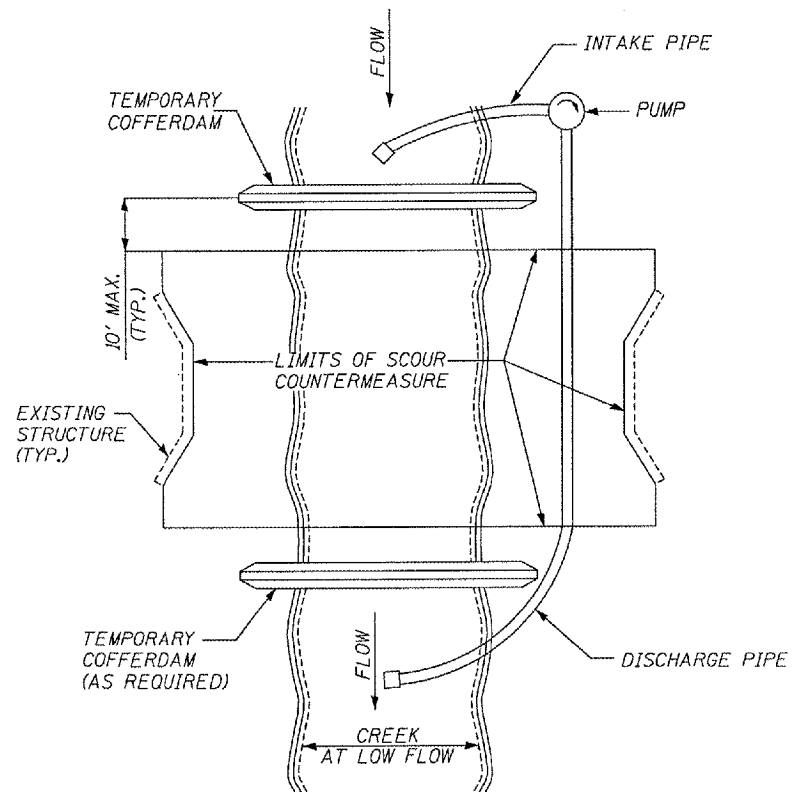


FIGURE D1. TEMPORARY COFFERDAM WITH PUMP BYPASS

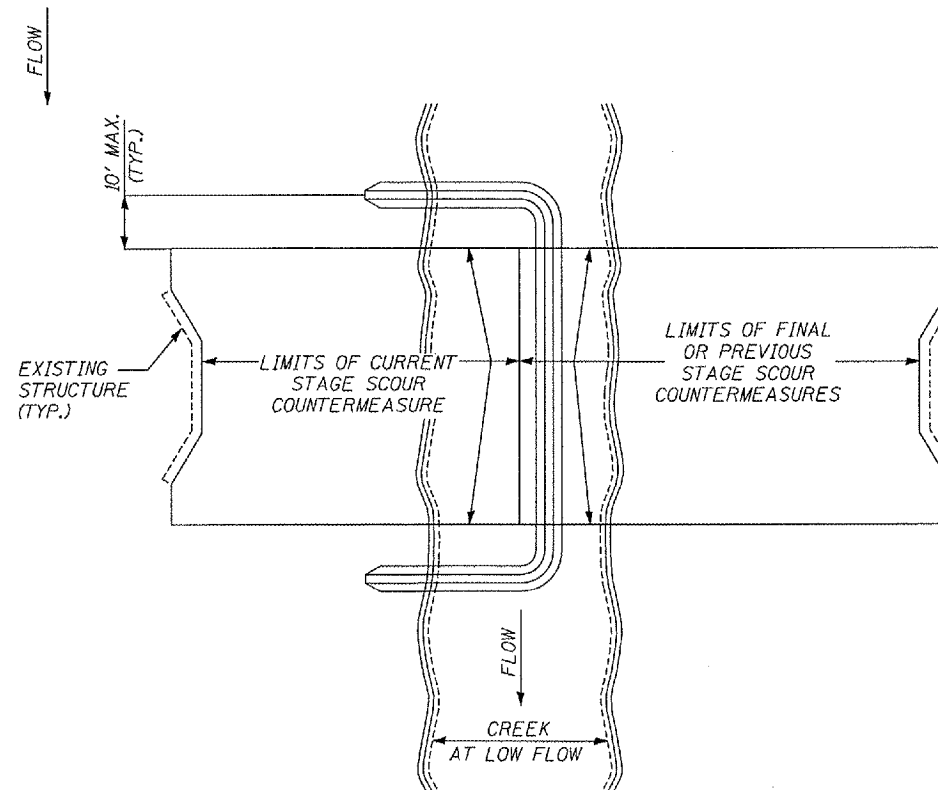


FIGURE D2. STAGED IN-STREAM COFFERDAM DIVISION

NOTE: DEWATERING SYSTEM DETAILS SHALL BE USED IN CONJUNCTION WITH THE PROJECT SPECIAL PROVISIONS.

ILLINOIS DEPARTMENT OF TRANSPORTATION

DEWATERING SYSTEM DETAILS  
S.N. 072-0155  
IL 91 OVER KICKAPOO CRK.