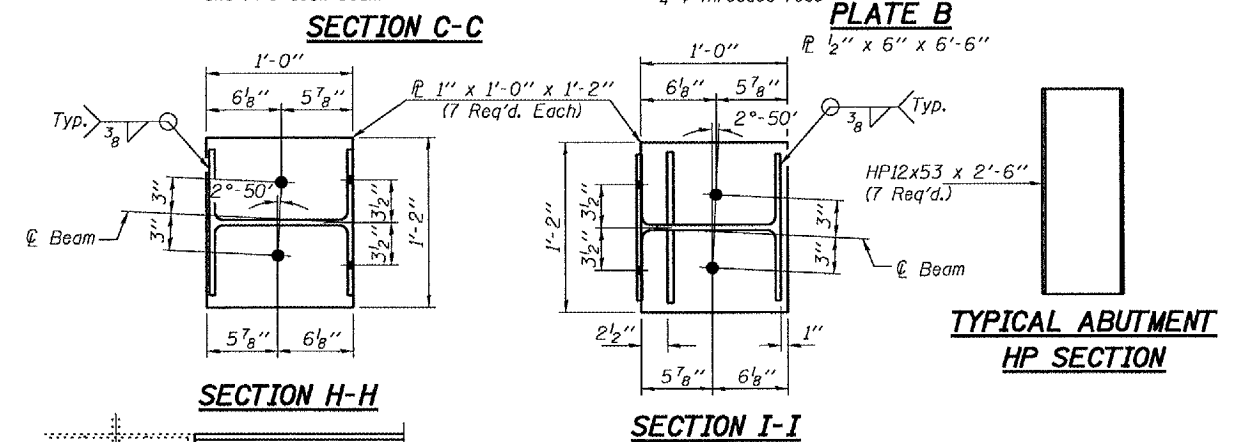
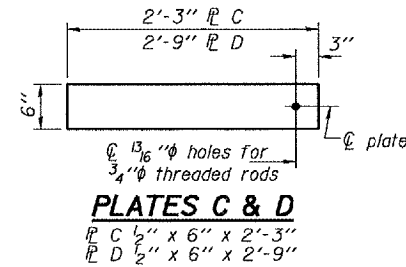
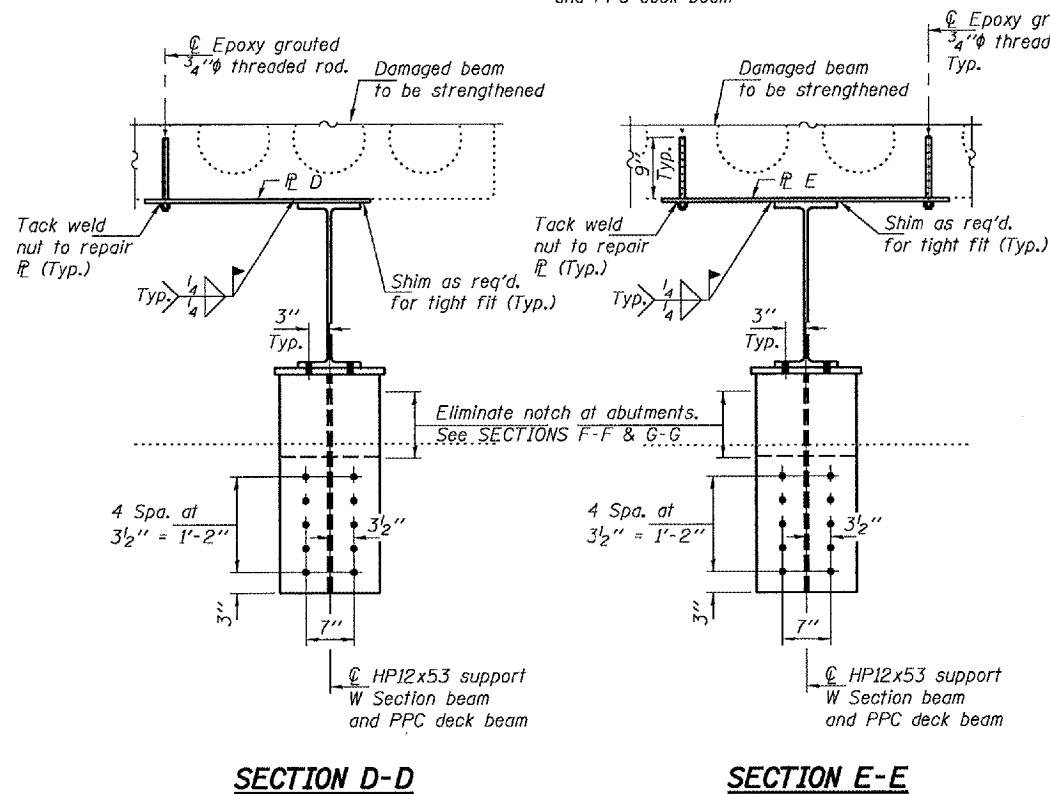
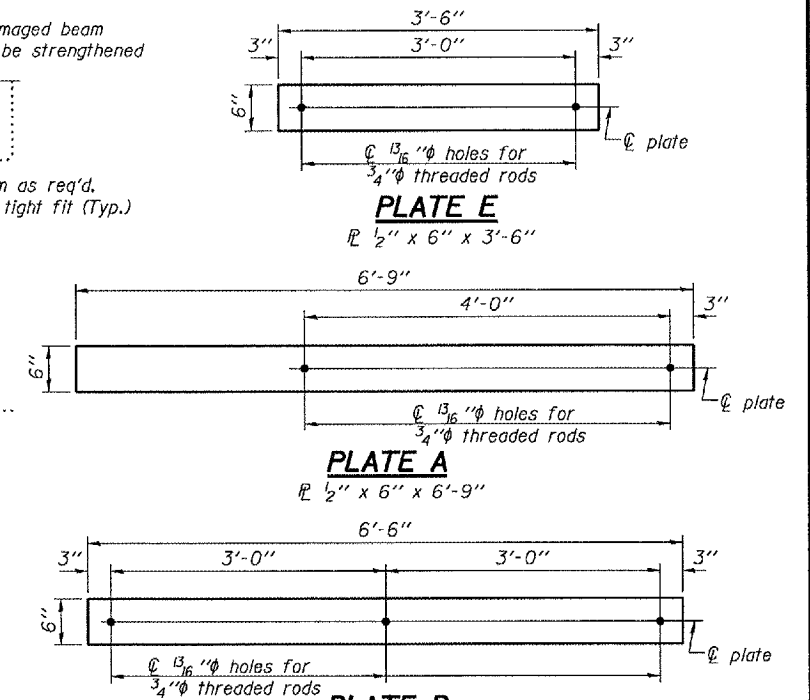
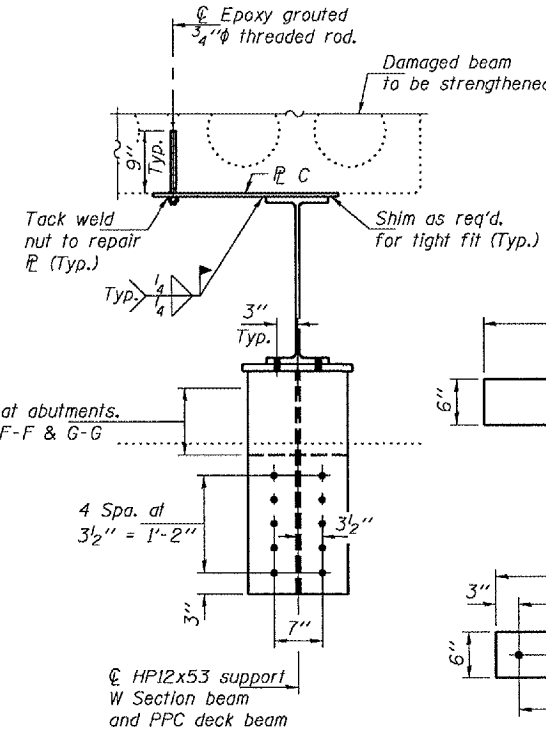
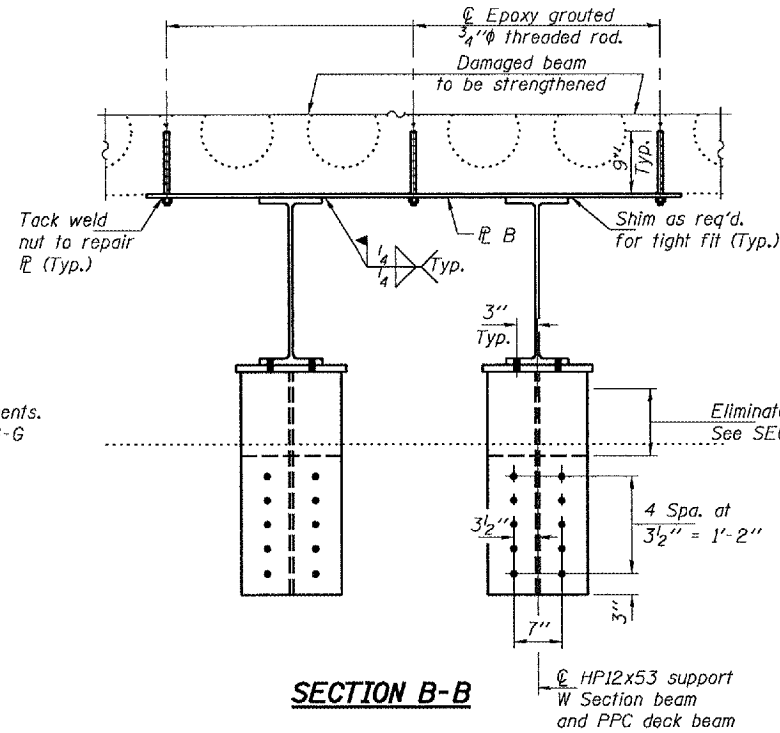
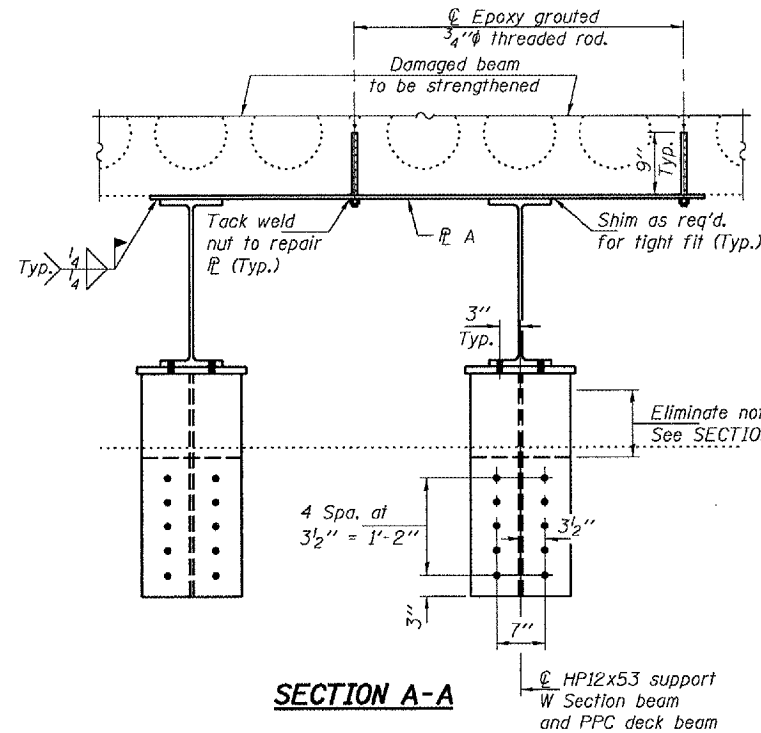


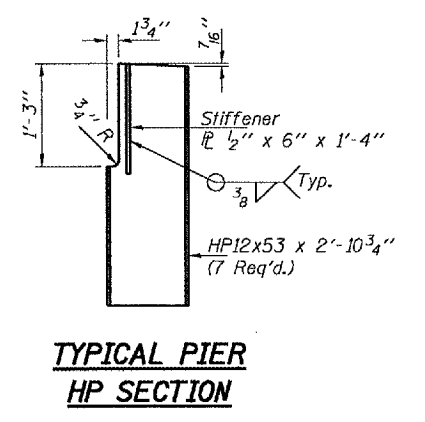
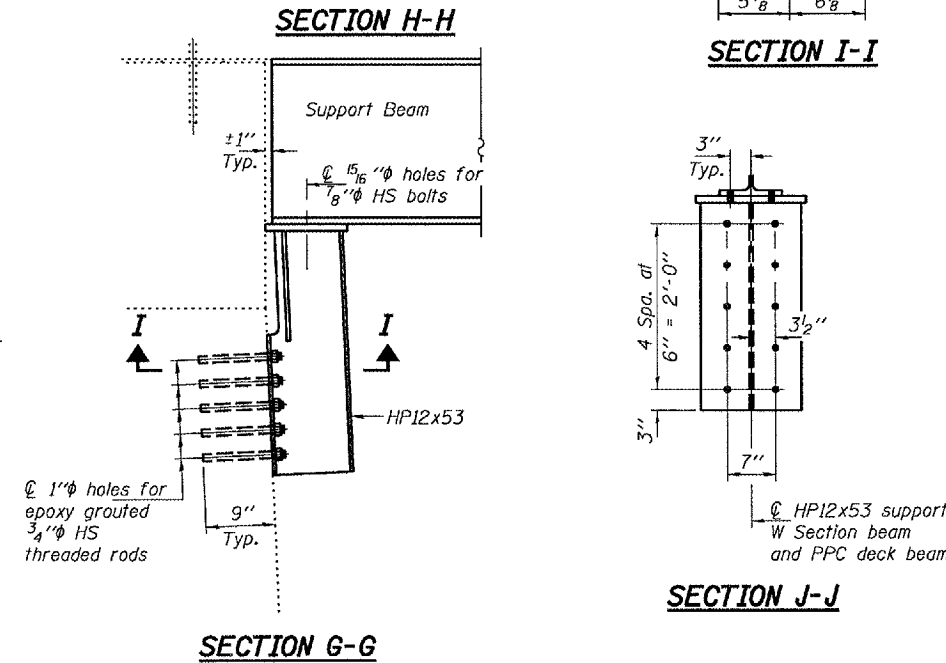
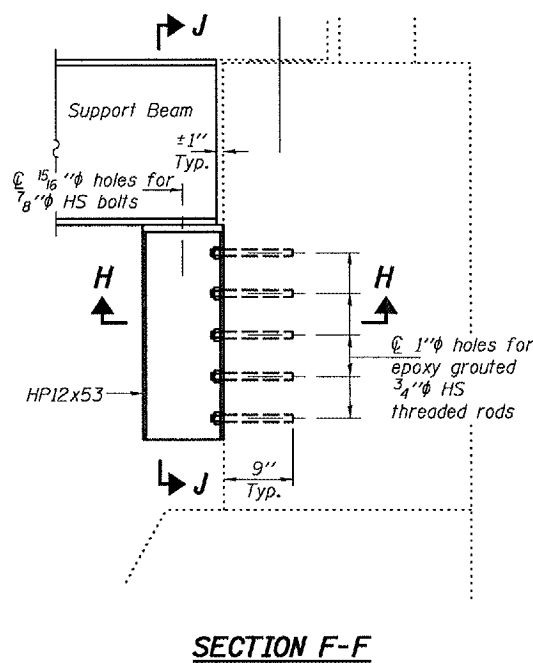
STATE OF ILLINOIS  
DEPARTMENT OF TRANSPORTATION

ROUTE NO.	SECTION	COUNTY	TOTAL SHEETS	SHEET NO.	SHEET NO. 2 4 SHEETS
FAP 687		MC DONOUGH	20	18	
FED. ROAD DIST. NO. 7	ILLINOIS	FED. AID PROJECT			

Contract Number: 68744



**TYPICAL ABUTMENT HP SECTION**



**REPAIR DETAILS**  
FAP 687  
MC DONOUGH COUNTY  
SN 055-0017

DESIGNED	ATH	NOVEMBER 7, 2007
CHECKED	AJB	EXAMINED <i>Carl Krueger</i> ENGINEER OF STRUCTURAL SERVICES
DRAWN	ballva	PASSED <i>Ralph E. Anderson</i> ENGINEER OF BRIDGES AND STRUCTURES
CHECKED	ATH AJB	