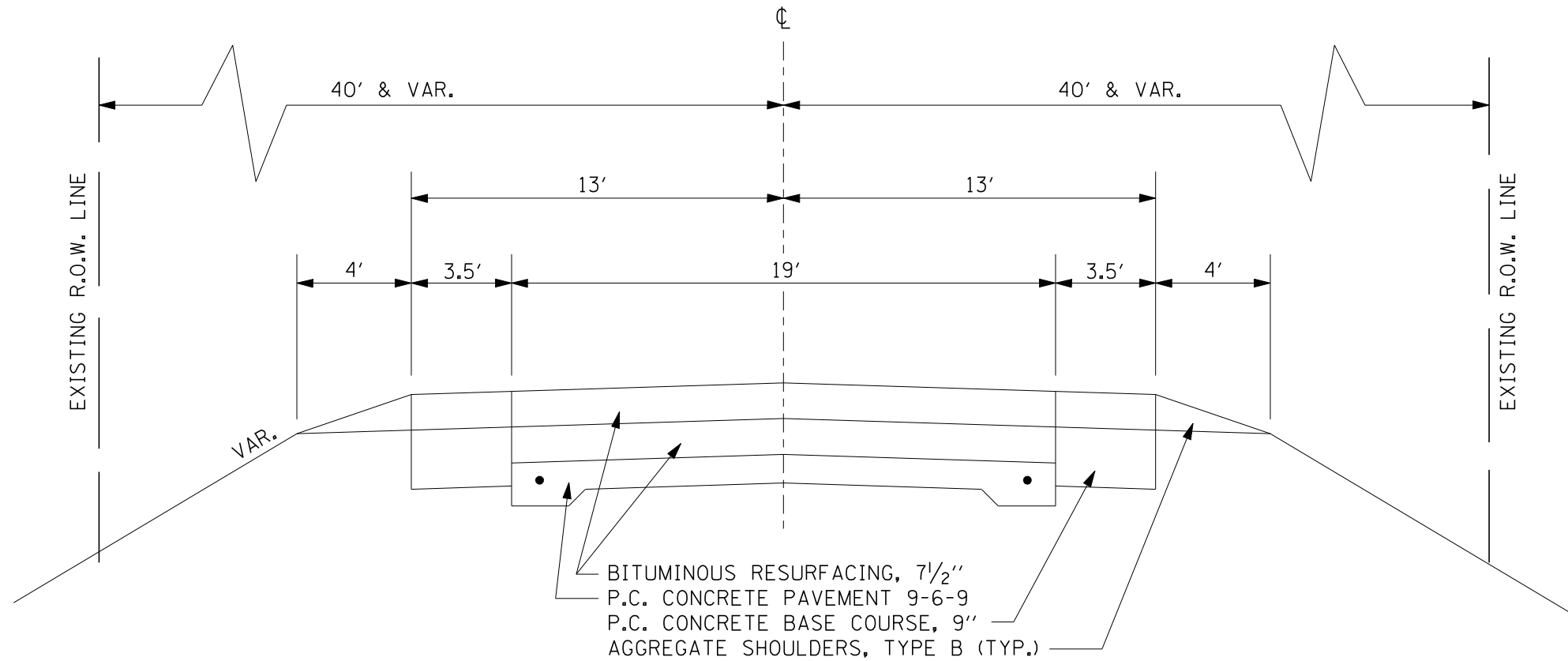


F.A.P. RTE.	SECTION	COUNTY	TOTAL SHEETS	SHEET NO.
840	(121,122)RS-3	VERMILION	89	5
STA.		TO STA.		
FED. ROAD DIST. NO.	ILLINOIS	FED. AID PROJECT		

EXISTING TYPICAL CROSS SECTION



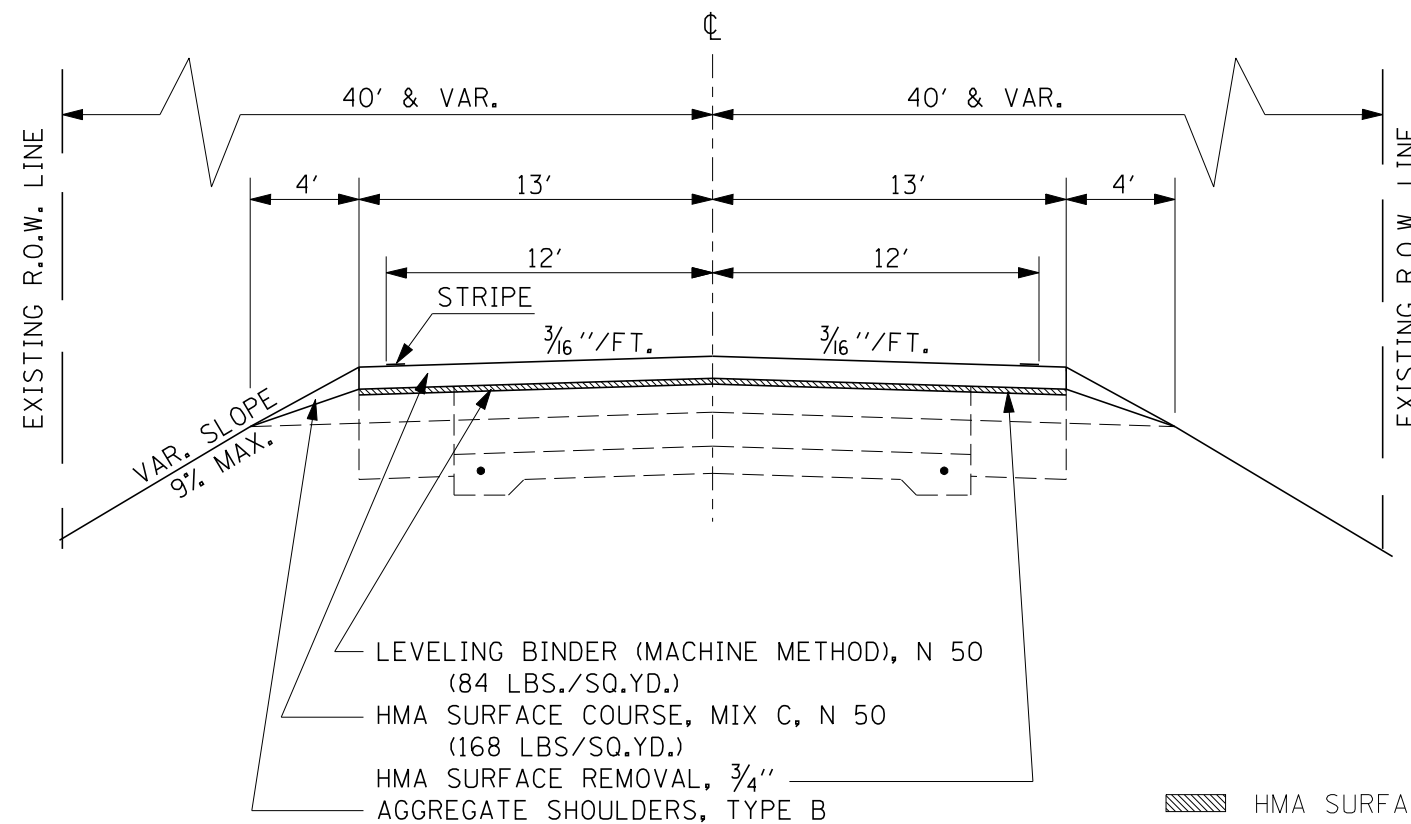
STATION TO STATION

765+00 - 847+14
868+86 - 1280+10

STA. EQUATION

STA. 837+21 (BK) = STA. 837+20 (AH)
STA. 870+00 (BK) = STA. 870+71 (AH)

① PROPOSED TYPICAL CROSS SECTION



STATION TO STATION

765+00 - 847+14 ②
② 868+86 - 1280+10

STA. EQUATION

STA. 837+21 (BK) = STA. 837+20 (AH)
STA. 870+00 (BK) = STA. 870+71 (AH)

REVISIONS	
NAME	DATE

ILLINOIS DEPARTMENT OF TRANSPORTATION

EXISTING & PROPOSED
(IL 49)
TYPICAL SECTIONS

SCALE: VERT.
HORIZ.
DATE

DRAWN BY
CHECKED BY

PLOT DATE : 11/15/2007
FILE NAME : c:\projects\4595800 (v8)\rev.plm\hls.dgn
PLOT SCALE : 42.3525' / IN.
USER NAME : collierb