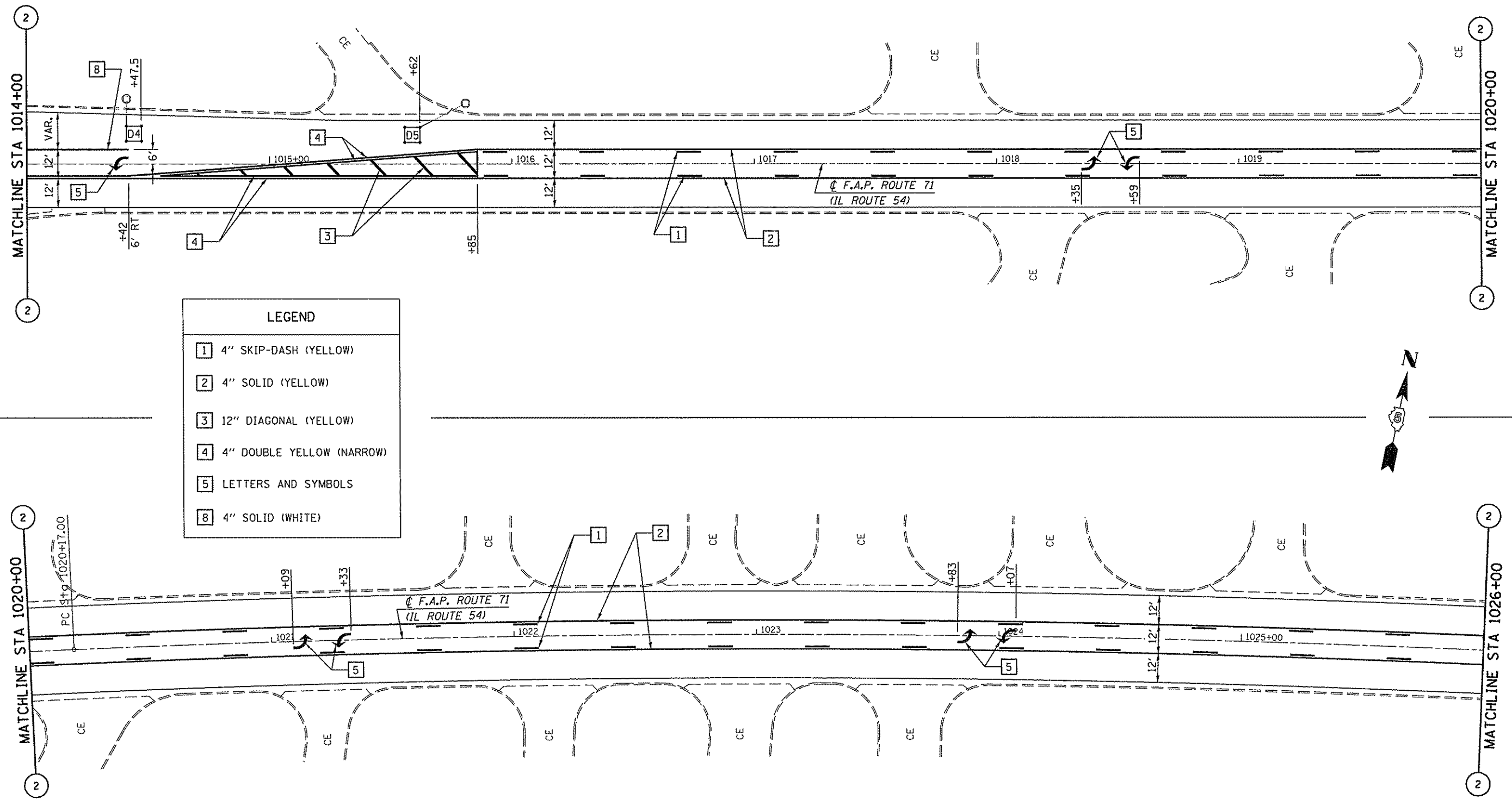
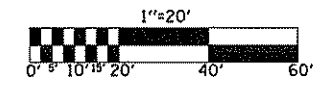


|                     |          |                  |              |
|---------------------|----------|------------------|--------------|
| CONTRACT NO. 70266  |          |                  |              |
| F.A.P. RTE.         | SECTION  | COUNTY           | TOTAL SHEETS |
| 721                 | 113RS-3  | DEWITT           | 34           |
| STA. 1014+00        |          | TO STA. 1026+00  |              |
| FED. ROAD DIST. NO. | ILLINOIS | FED. AID PROJECT |              |



| LEGEND |                           |
|--------|---------------------------|
| 1      | 4" SKIP-DASH (YELLOW)     |
| 2      | 4" SOLID (YELLOW)         |
| 3      | 12" DIAGONAL (YELLOW)     |
| 4      | 4" DOUBLE YELLOW (NARROW) |
| 5      | LETTERS AND SYMBOLS       |
| 8      | 4" SOLID (WHITE)          |

PLOT DATE = 10/21/2007  
 FILE NAME = 1014-1026.dwg  
 PLOT SCALE = 1/4" = 20'  
 USER NAME = collier-b



ILLINOIS DEPARTMENT OF TRANSPORTATION  
**PLAN, PAVEMENT MARKING  
 & SIGNAL LOOP DETAILS**  
 F.A.P. ROUTE 721 (IL 54)  
 SECTION 113RS-3  
 DEWITT COUNTY  
 SCALE: 1" = 20'  
 DATE: 05/05/07  
 DRAWN BY: JRP  
 CHECKED BY: