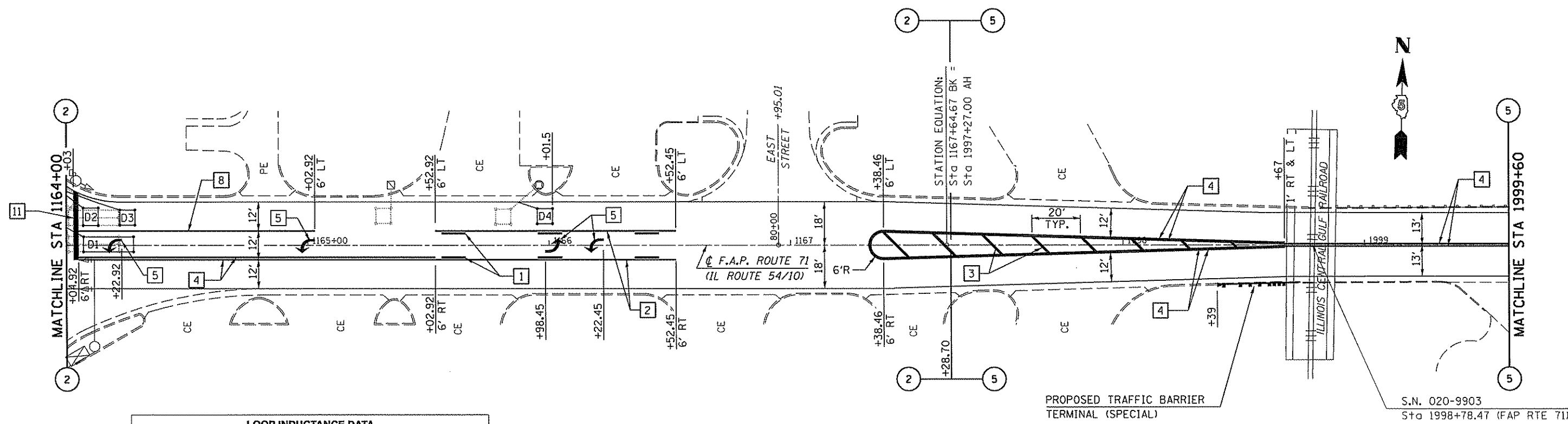


CONTRACT NO. 70266				
F.A.P. RTE.	SECTION	COUNTY	TOTAL SHEETS	SHEET NO.
721	113RS-3	DEWITT	34	22
STA. 1164+00		TO STA. 1999+60		
FED. ROAD DIST. NO.	ILLINOIS	FED. AID PROJECT		

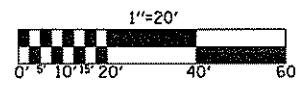


LOOP INDUCTANCE DATA				
IL. 10/54 & Madison St.				
Loop	Length	Width	Number of Turns	Delay (sec.)
C1	20	6	3	
C2	6	9.5	3	10
C3	6	6	3	10
C4	6	6	4	
D1	20	6	3	
D2,D3	6	6	3	10
D4	6	6	4	

THE FOLLOWING LOOPS SHALL BE WIRED TO COMMON AMPLIFIERS: (C1), (C2-3), (C4), (D1), (D2-3), (D,4)

EXISTING AMPLIFIERS SHALL BE UTILIZED

LEGEND	
1	4" SKIP-DASH (YELLOW)
2	4" SOLID (YELLOW)
3	12" DIAGONAL (YELLOW)
4	4" DOUBLE YELLOW (NARROW)
5	LETTERS AND SYMBOLS
8	4" SOLID (WHITE)
11	24" STOP BAR (WHITE)



ILLINOIS DEPARTMENT OF TRANSPORTATION
PLAN, PAVEMENT MARKING & SIGNAL LOOP DETAILS
 F.A.P. ROUTE 721 (IL 54)
 SECTION 113RS-3
 DEWITT COUNTY

SCALE: 1" = 20'
 DATE: 06/05/07
 DRAWN BY: JRP
 CHECKED BY:

PLOT DATE = 10/19/2007
 FILE NAME = c:\pav\proj\as\113RS-3\113RS-3-22.dwg
 USER NAME = collinsb