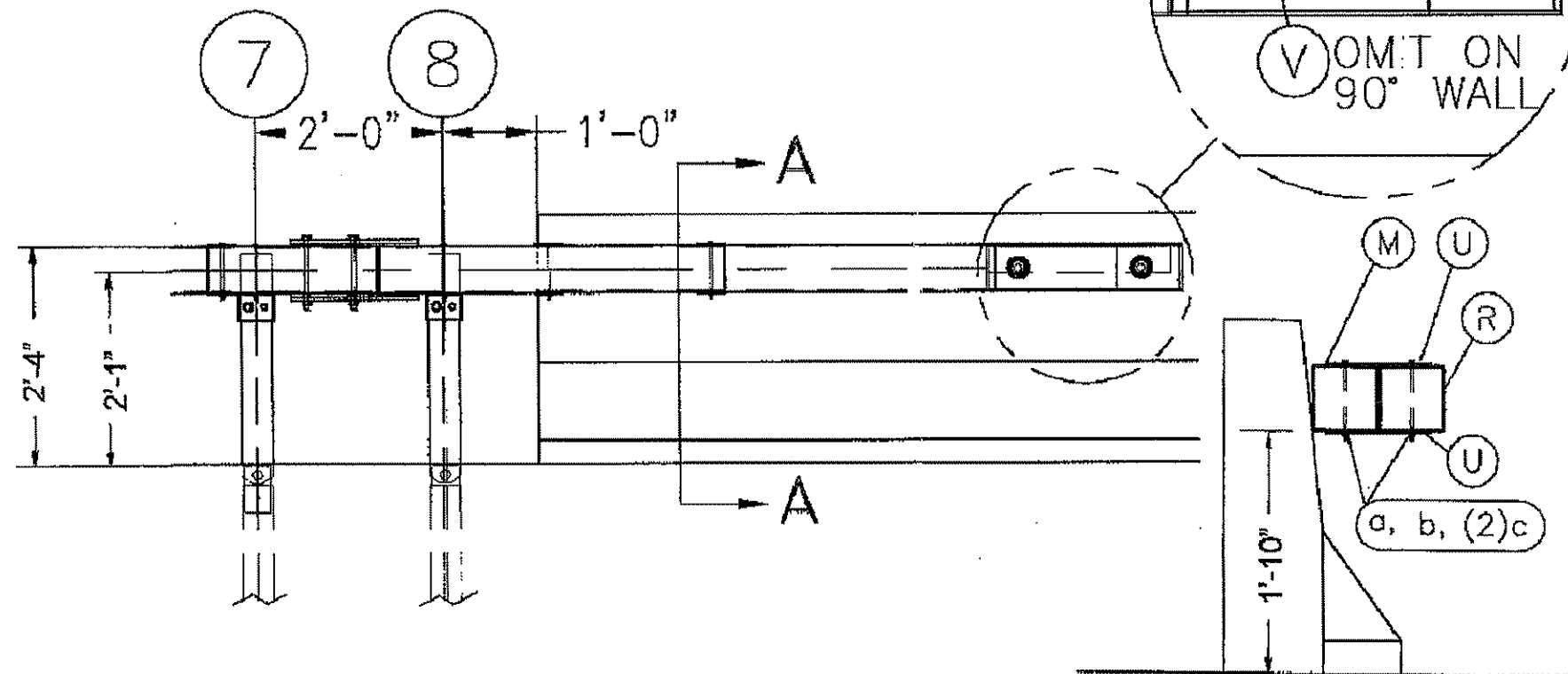
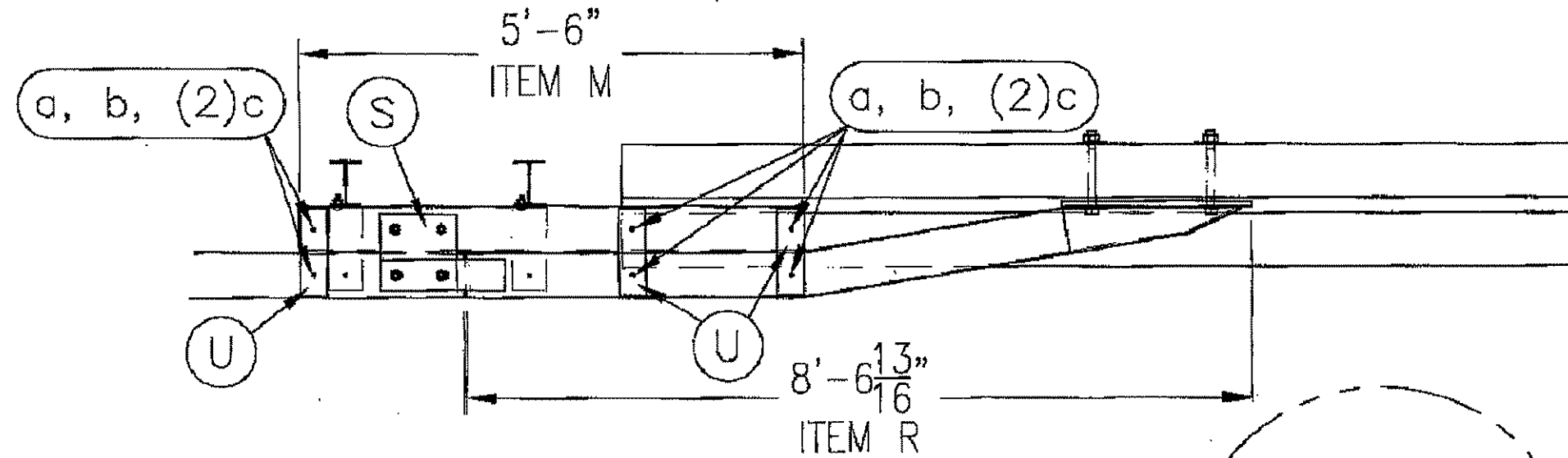


CONTRACT NO. 70266				
F.A.P. RTE.	SECTION	COUNTY	TOTAL SHEETS	SHEET NO.
721	113RS-3	DEWITT	34	29

**DETAIL OF TRAFFIC BARRIER TERMINAL (SPECIAL)  
PLAN & ELEVATION AT RIGID WALL**



**SECTION A-A**

SHEET 3 OF 4

ILLINOIS DEPARTMENT OF TRANSPORTATION  
**DETAILS OF TRAFFIC BARRIER  
TERMINAL (SPECIAL)**  
F.A.P. ROUTE 721 (IL 10)  
SECTION 113RS-3  
DEWITT COUNTY

SCALE: N/A  
DATE: 09/20/2007  
DRAWN BY: CADD  
CHECKED BY:

PLOT DATE = 10/15/2007  
PLOT SCALE = 1/8" = 1'-0"  
USER NAME = collinsb