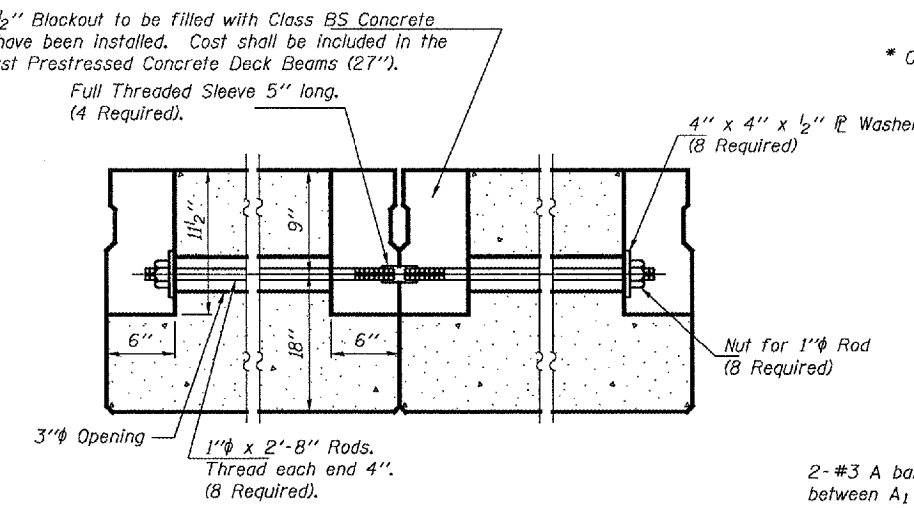
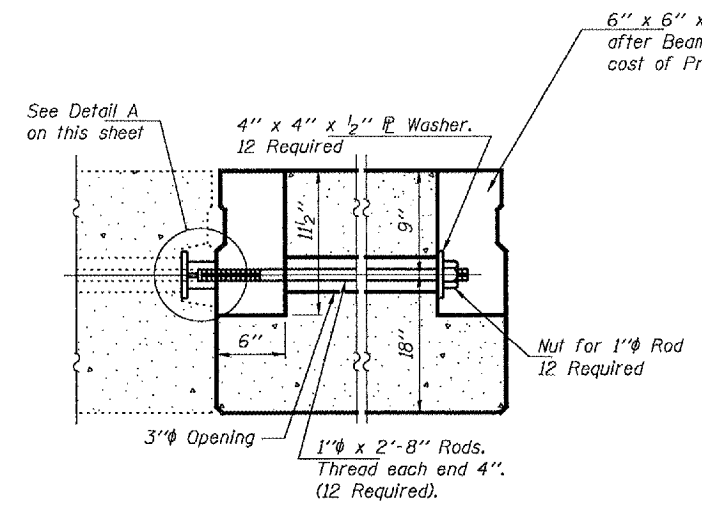
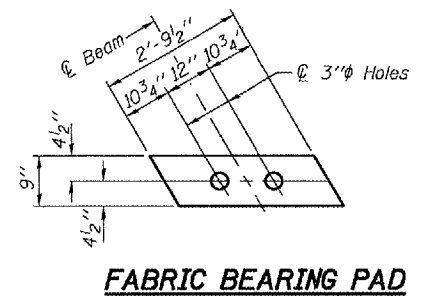


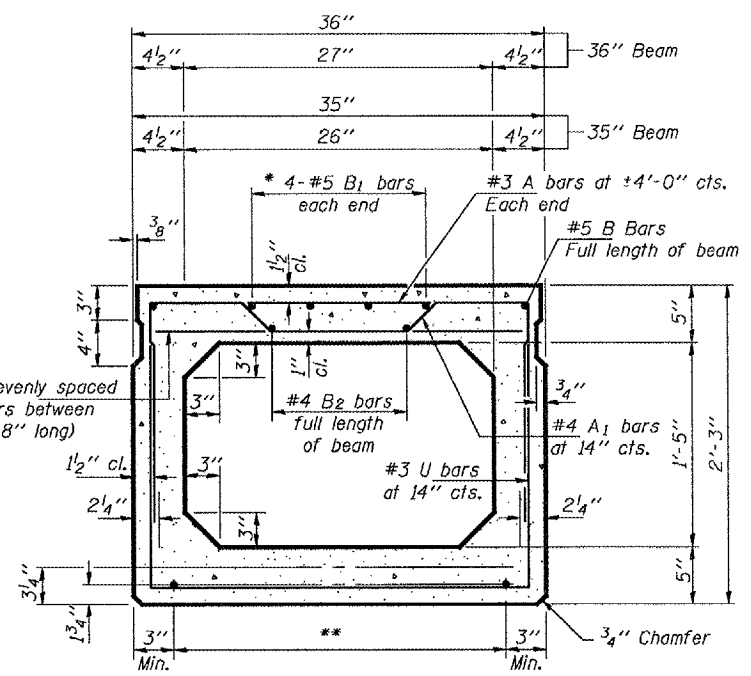
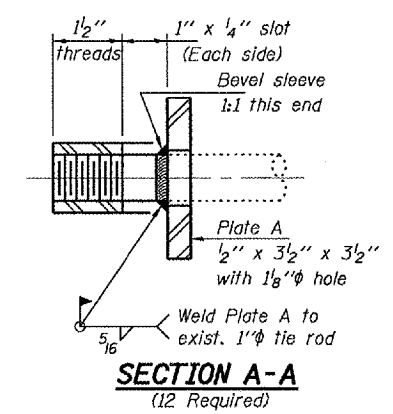
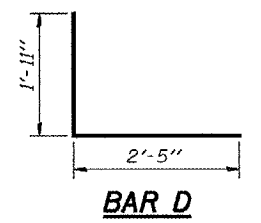
STATE OF ILLINOIS  
DEPARTMENT OF TRANSPORTATION

|                        |         |           |        |                  |
|------------------------|---------|-----------|--------|------------------|
| ROUTE NO.              | SECTION | COUNTY    | SHEETS | SHEET NO.        |
| SBI 119                |         | CHAMPAIGN | 26     | 17               |
| FED. ROAD DIST. NO. 7  |         | ILLINOIS  |        | FED. AID PROJECT |
| Contract Number: 70669 |         |           |        |                  |

SHEET NO. 2  
3 SHEETS



Note:  
Existing grout covering existing nuts for transverse tie assemblies shall be removed. Existing rods shall be cut as detailed on sheet 1 of 3. Existing rods shall then be removed through the holes in exterior beam. Cost included with Removal of Existing PPC Deck Beams.

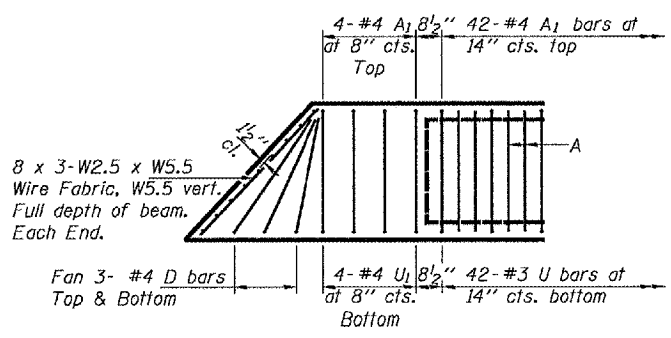
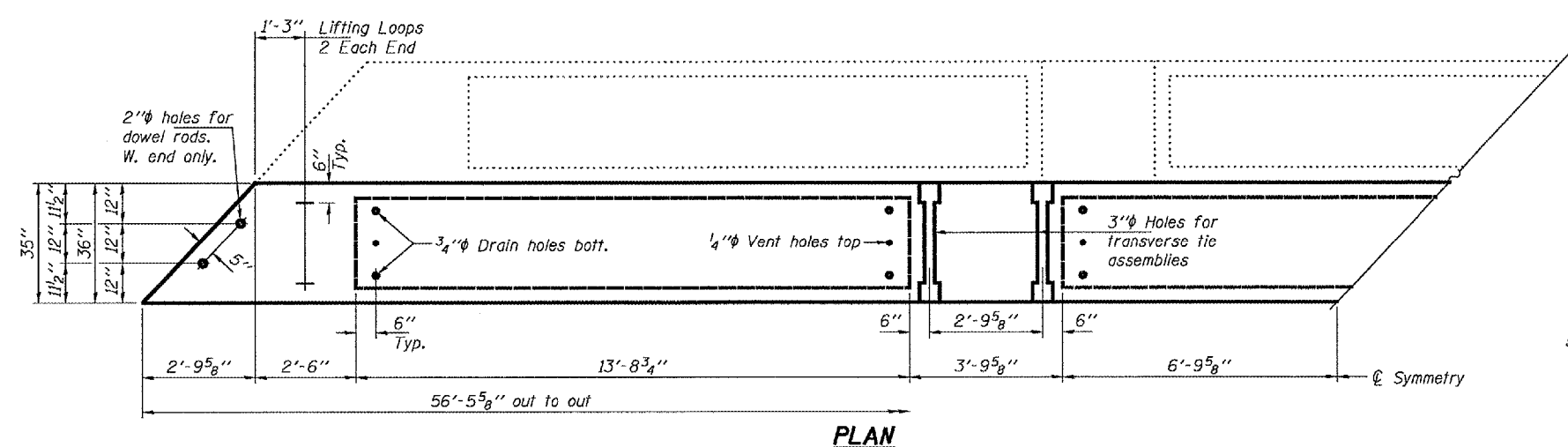


12-1/2" Strands, Each Strand Stressed to 30,900 Lbs.  
8-Strands 1 3/4" up, 4-Strands 3/4" up

**\*\* TRANSVERSE PLACEMENT GUIDELINES**

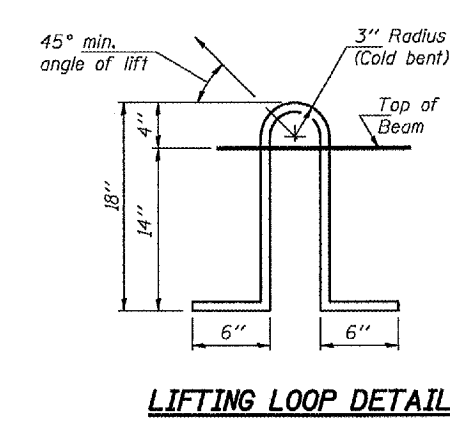
1. Place strands symmetrically about centerline of beam.
2. The minimum distance from center to center of strands in all directions shall be 2".
3. The minimum clearance from strand to dowel hole shall be 1/2".
4. The minimum clearance from strand to void shall be 1/2".

Vertical placement of strands shall not be adjusted to satisfy the above guidelines.



|          |         |
|----------|---------|
| DESIGNED | VHV     |
| CHECKED  | SJB     |
| DRAWN    | ballva  |
| CHECKED  | VHV SJB |

NOVEMBER 5, 2007  
EXAMINED *Carl Perry*  
PASSED *Ralph E. Anderson*  
ENGINEER OF STRUCTURAL SERVICES  
ENGINEER OF BRIDGES AND STRUCTURES



**NOTES**

Prestressing steel shall be uncoated high strength, low relaxation 7-wire strand, Grade 270. The nominal diameter shall be 1/2" and the nominal cross-sectional area shall be 0.153 sq. in. Lifting loops shall be 2-1/2" φ-270 ksi strands, as shown.

The 1" rods in the transverse tie assembly shall be tightened to a snug fit and the threads set. Pockets that receive transverse tie bar on outside shall be filled with grout after transverse tie assembly is in place.

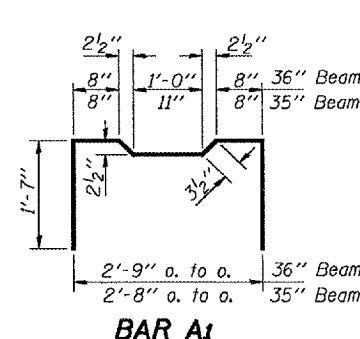
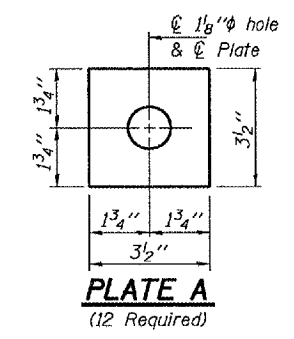
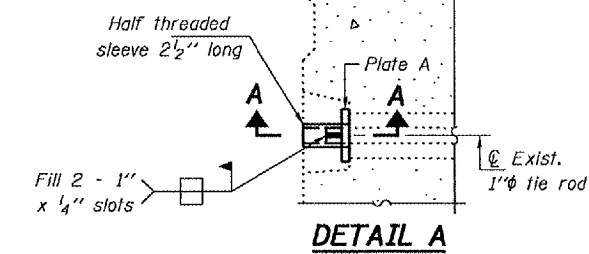
Non prestressing steel shall conform to ASTM A 706 (IL MOD), Grade 60.

The bearing seat surfaces shall be adjusted by shimming to assure firm and even bearing. Two 1/8" fabric adjusting shims of the dimensions of the Exterior Bearing Pad shall be provided for each bearing.

Keyway surfaces shall be cleaned to remove form oil or other bond breaking material prior to shipment of the beams. Cleaning shall be done by sandblasting the keyway areas between top of the beam and the bottom edge of the key.

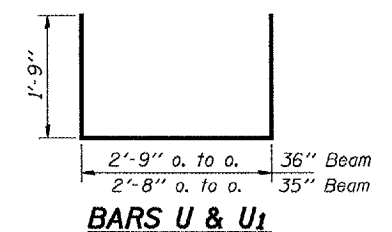
Corrosion inhibitor, per Article 1020.05(b)(12) of the Standard Specifications, shall be used in the concrete for precast prestressed concrete deck beams.

Required Release Strength, f'ci, shall be 4000 p.s.i.



**BILL OF MATERIAL**

|                                     |         |     |
|-------------------------------------|---------|-----|
| Precast Prestressed Conc. Deck Bms. | Sq. Ft. | 833 |
|-------------------------------------|---------|-----|



**REPAIR DETAILS**  
SBI 119  
CHAMPAIGN COUNTY  
SN 010-0062