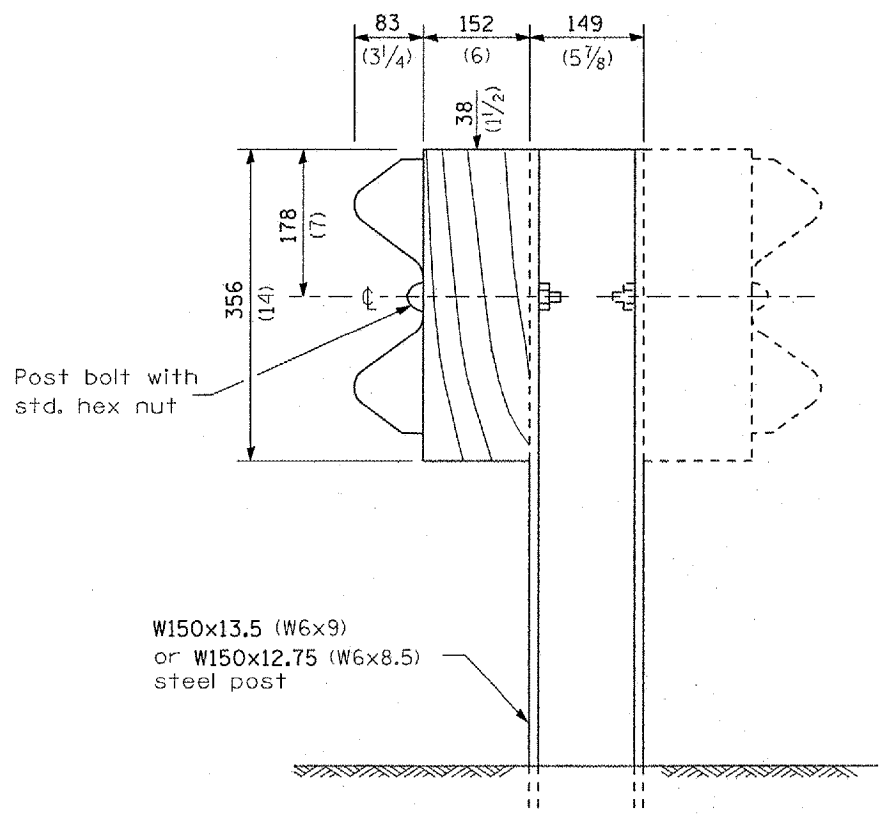
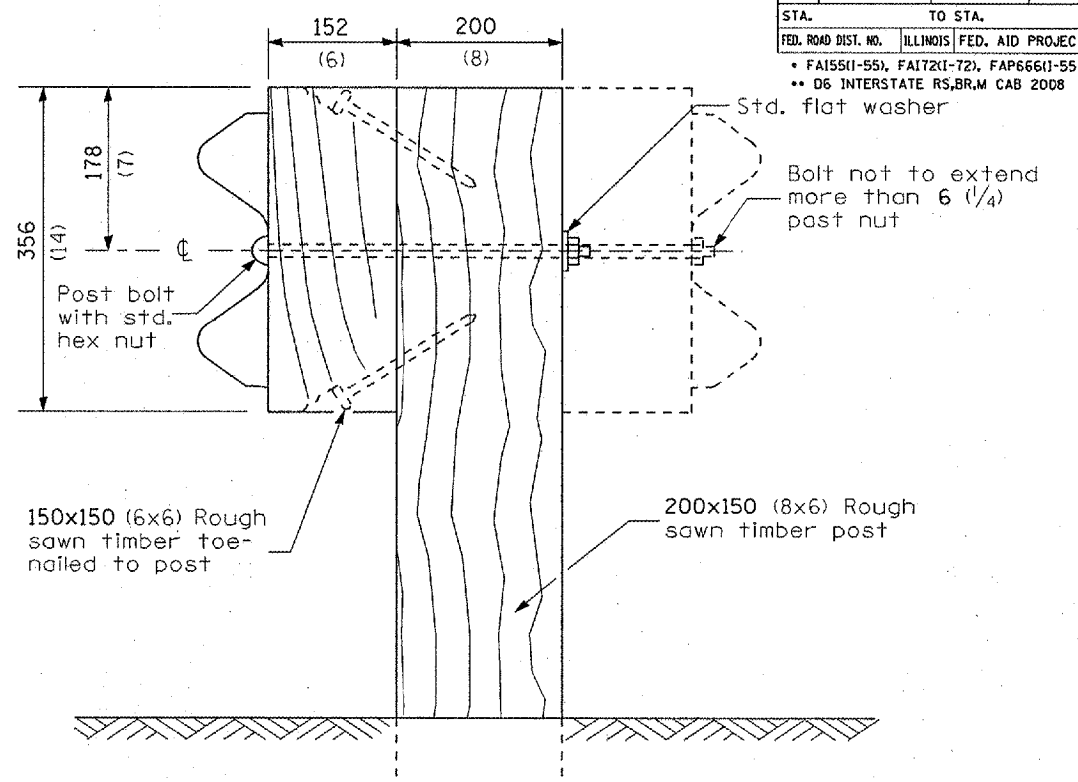


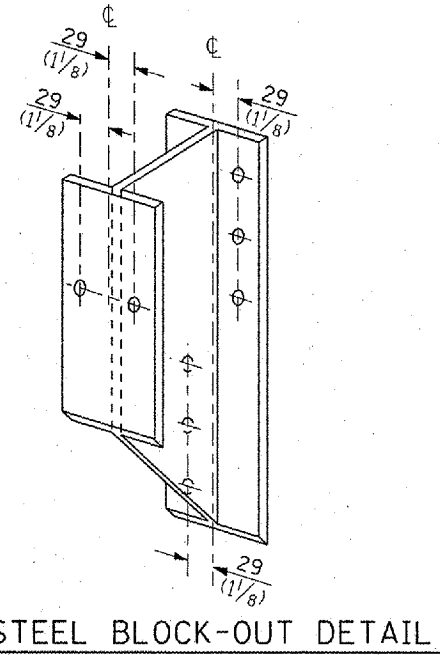
F.A. RTE.	SECTION	COUNTY	TOTAL SHEETS	SHEET NO.
*	**	SANGAMON	248	193B
STA.		TO STA.		
FED. ROAD DIST. NO.		ILLINOIS FED. AID PROJECT		
• FA155(I-55), FA172(I-72), FAP666(I-55 BUS) •• D6 INTERSTATE RS,BR,M CAB 2008				



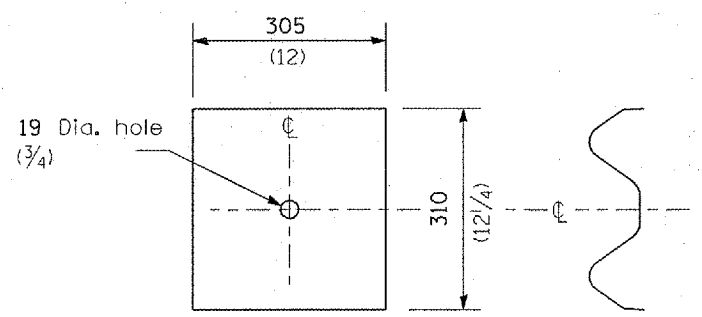
STEEL POST CONSTRUCTION



WOOD POST CONSTRUCTION



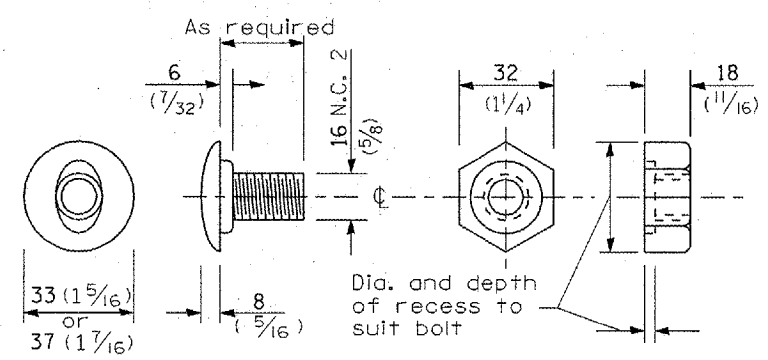
STEEL BLOCK-OUT DETAIL



NOTE

Plate A shall be placed between rail element and block-out at non-splice mounting points only when steel block-outs are used.

PLATE A



POST OR SPLICE BOLT & NUT

REVISIONS		ILLINOIS DEPARTMENT OF TRANSPORTATION
NAME	DATE	
		STEEL PLATE BEAM GUARDRAIL DETAILS (Sheet 2 of 4) SCALE: VERT.    DRAWN BY HORIZ.        CHECKED BY DATE

Added Sheet 1-8-08

PLOT DATE: Jan-08-2008 07:05:14 AM  
 FILE NAME: c:\p02202\steel\beam\_guardrail.dwg  
 PLOT SCALE: 0.8000 / IN.  
 USER NAME: laughton1