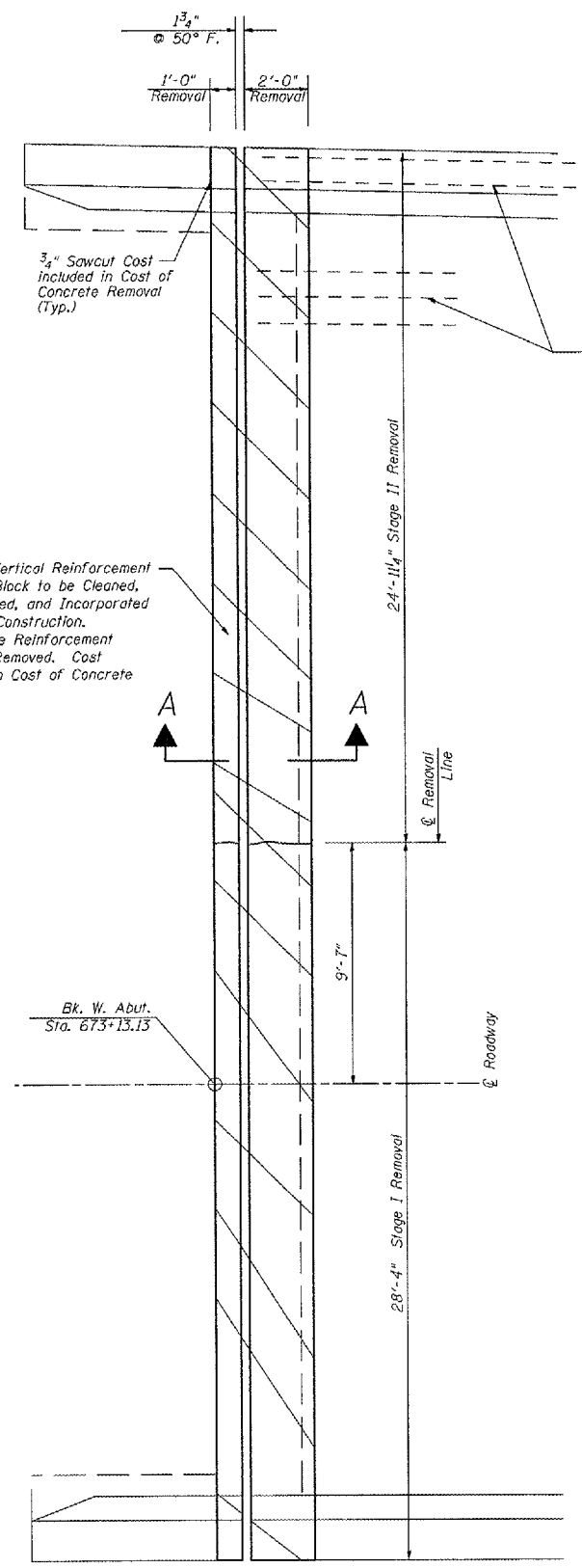


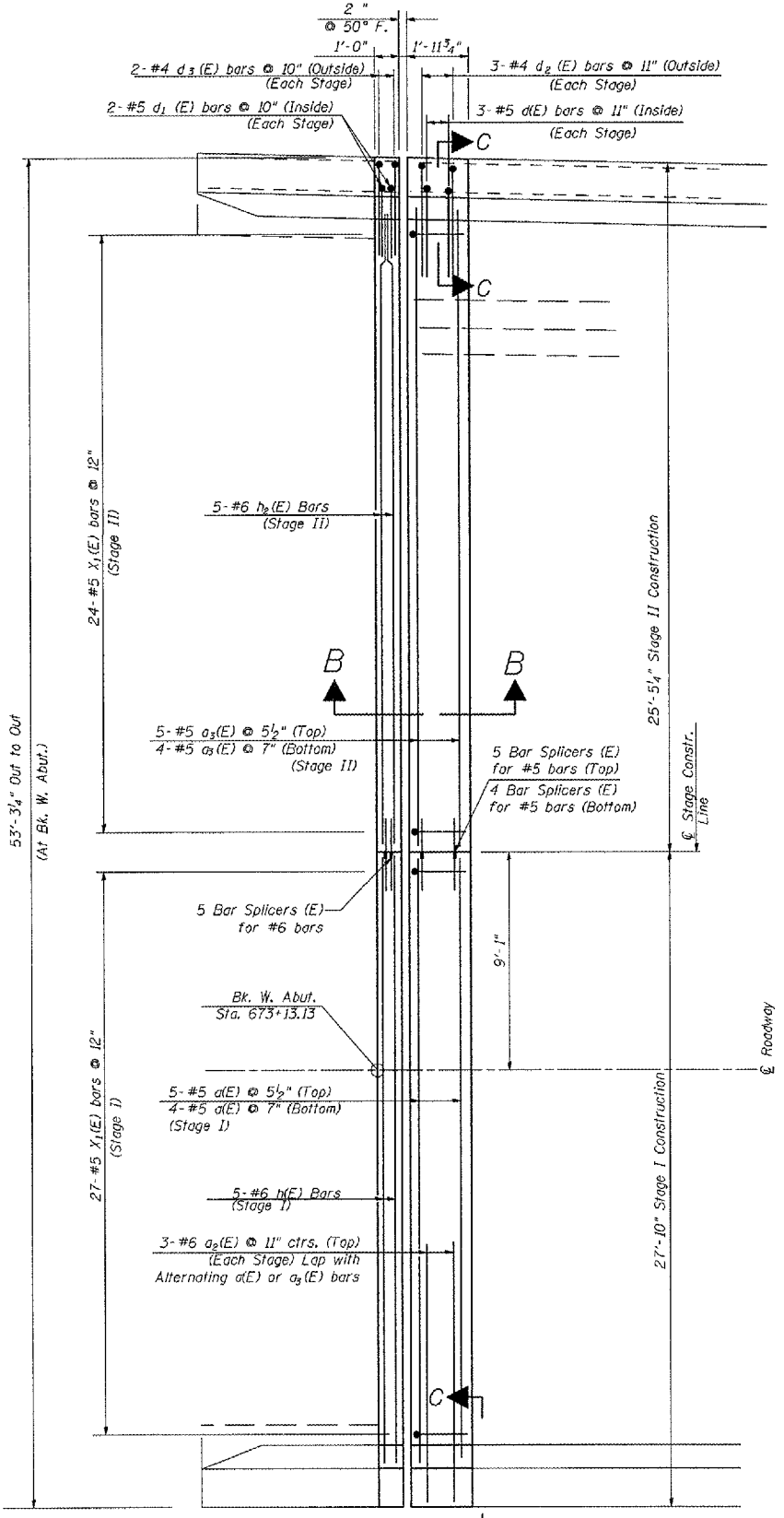
STATE OF ILLINOIS
DEPARTMENT OF TRANSPORTATION

| | | | |
|------------------------------------|---------|---------------------------|-----|
| CONTRACT NO. 72659 | | TOTAL SHEETS | |
| F.A.I. RTE. | SECTION | COUNTY | NO. |
| • | •• | SANGAMON | 248 |
| FED. ROAD DIST. NO. | | ILLINOIS FED. AID PROJECT | |
| • F.A.I. 55, F.A.I. 72, F.A.P. 666 | | 217 | |
| • D6 Interstate R5, BR, M CAB 2008 | | | |

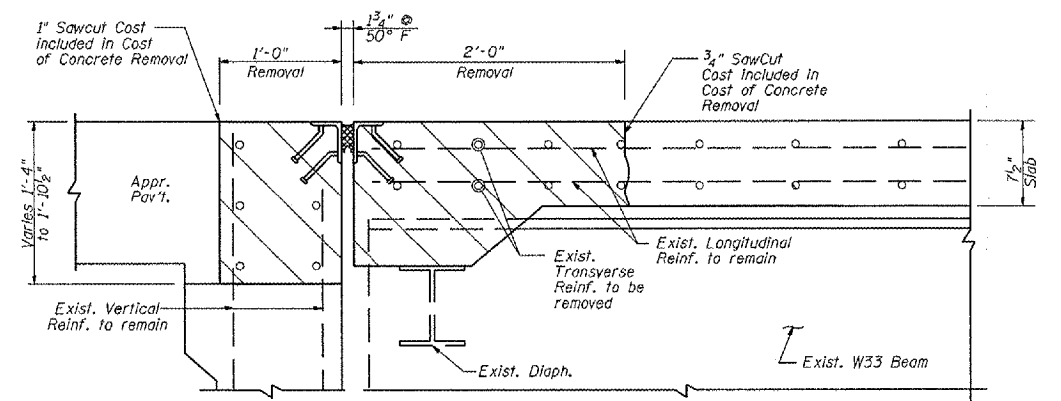
Sheet No. 5 of 7 Sheets



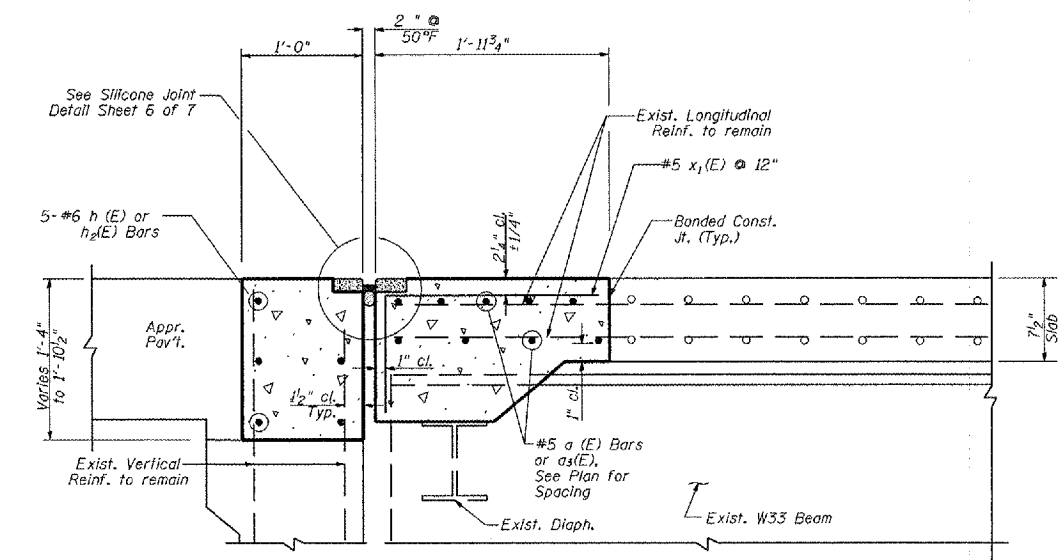
CONCRETE REMOVAL PLAN
(W. Abutment)



CONCRETE REPLACEMENT PLAN
(W. Abutment)



SECTION A-A
(Showing Removal)



SECTION B-B
(Showing Proposed Section)

- NOTES:**
1. Work this Sheet with Sheet 6 of 7.
 2. Hatched areas indicate location of Concrete Removal.
 3. For Section C-C and D-D, See sheet 6 of 7.

WEST ABUTMENT DECK REPAIRS
F.A.I. 55, F.A.I. 72, F.A.P. 666
Section D6 Interstate, R5, BR, M CAB 2008
Sangamon County
WB I-72 Over BU-55
S.M. 084-0076

REV.