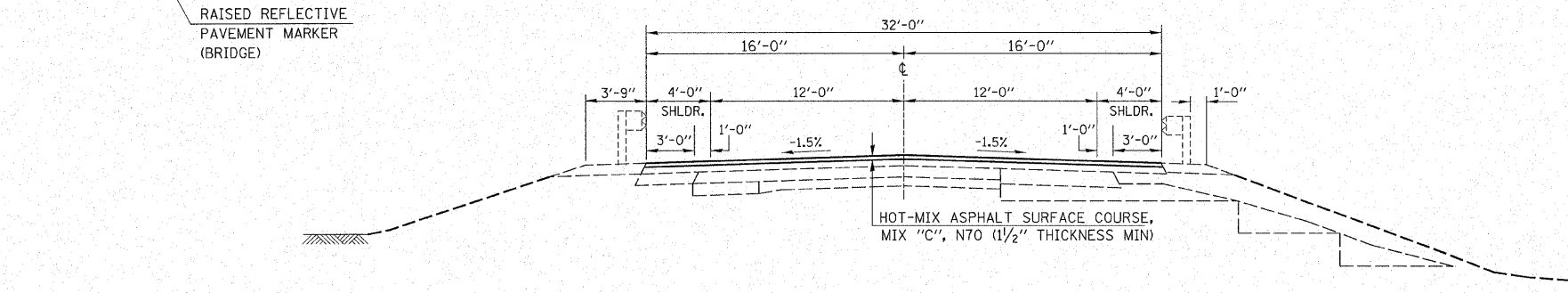
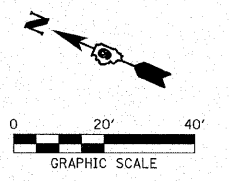
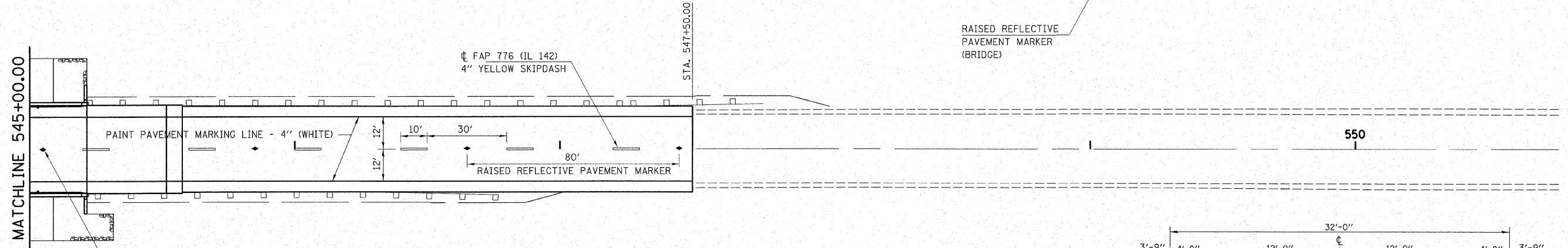
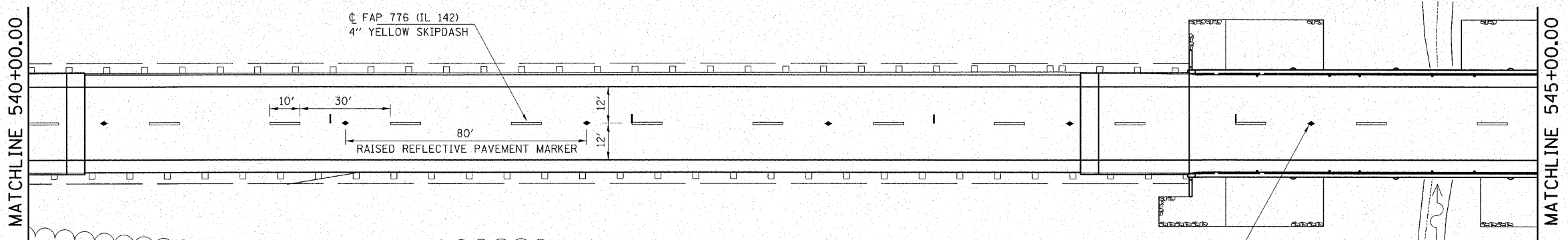
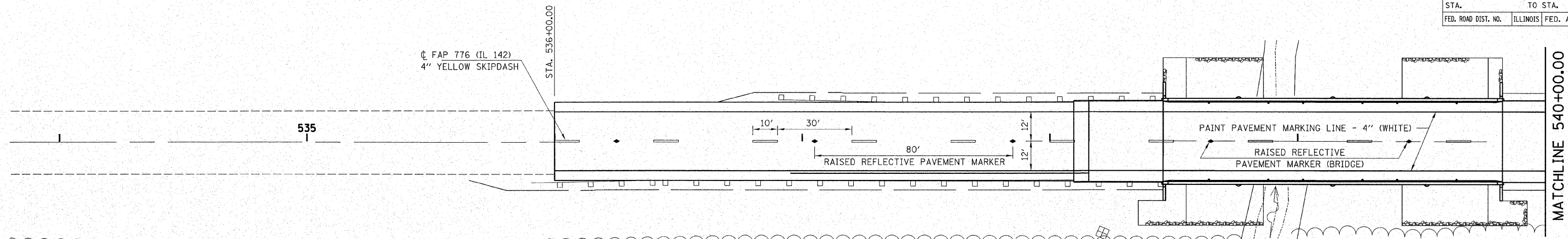
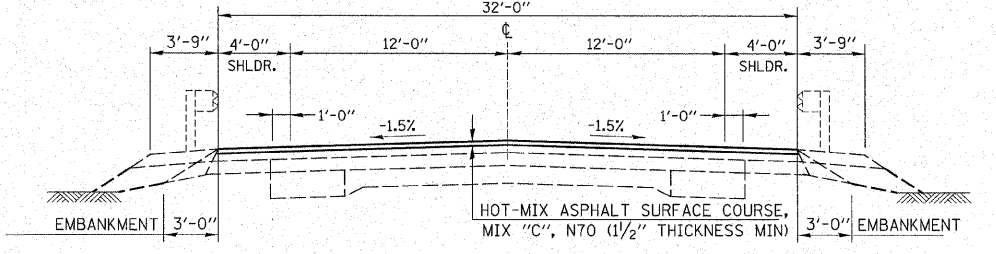


F.A.P. RTE.	SECTION	COUNTY	TOTAL SHEETS	SHEET NO.
776	(116BR-2 & BR-3)B-1	HAMILTON	140	18
STA.		TO STA.		
FED. ROAD DIST. NO.		ILLINOIS	FED. AID PROJECT	



**STAGE 3 TYPICAL CROSS SECTION**  
STA. 540+18.20 TO 543+49.10



**STAGE 3 TYPICAL CROSS SECTION**  
STA. 536+00.00 TO 538+10.20  
STA. 545+57.10 TO 547+50.00

<p><b>HAMPTON, LENZINI &amp; RENWICK, INC.</b> CIVIL &amp; STRUCTURAL ENGINEERS</p> <p>3085 STEVENSON DRIVE, SUITE 201 SPRINGFIELD, ILLINOIS 62703 (217) 546-3400</p> <p>ELGIN • SPRINGFIELD</p>	<p><b>PAVEMENT MARKING, STAGE 3</b> SN 033-0051 &amp; SN 033-0052</p> <p>F.A.P. ROUTE 776 (IL 142)</p> <p>SECTION (116BR-1, BR-2, BR-3)B-1</p> <p>HAMILTON COUNTY</p>
	<p>PROJECT NUMBER: 12-41-0021-1    DATE: 07/30/07</p> <p>DESIGNED: L.P.S.    CHECKED: S.W.M.    DRAWN: W.J.S.</p>

PLOT DATE = 10/26/2007  
FILE NAME = 4182151111stage3pavmark-82.dgn  
PLOT SCALE =  
USER NAME =