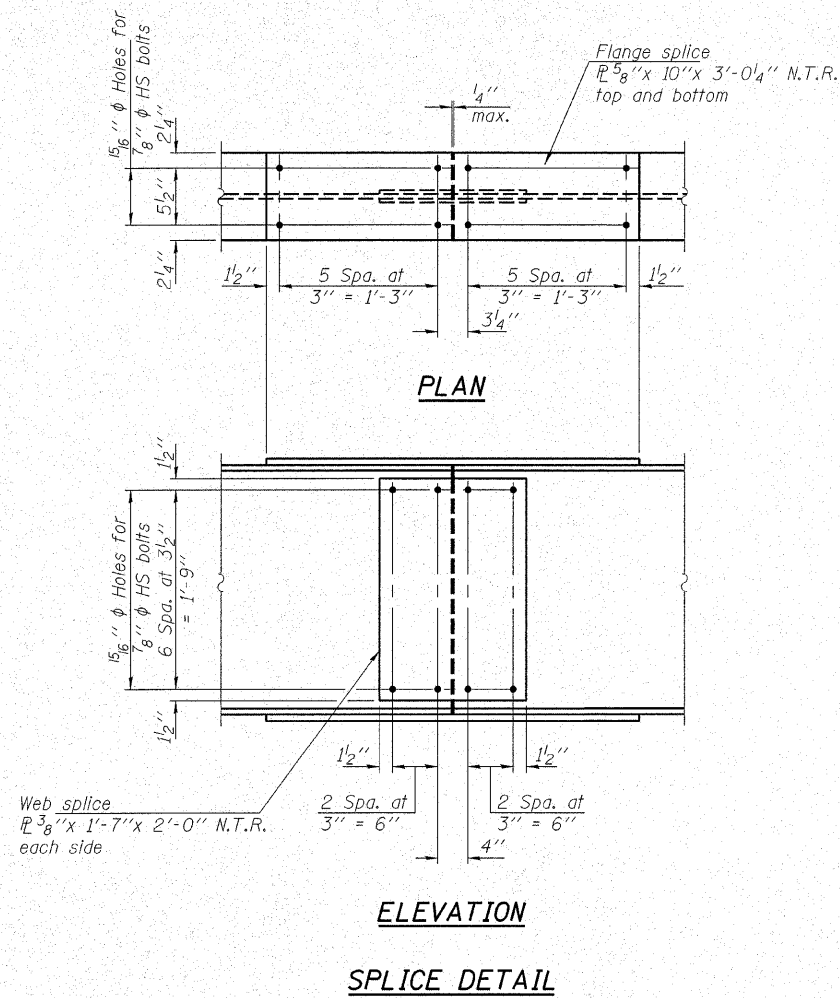


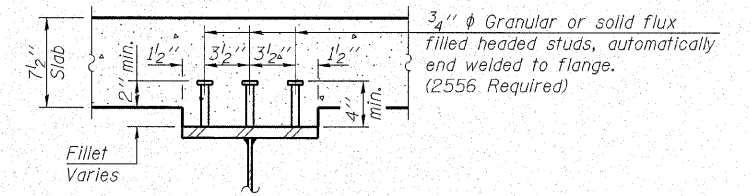
STATE OF ILLINOIS
DEPARTMENT OF TRANSPORTATION

ROUTE NO.	SECTION	COUNTY	TOTAL SHEETS	SHEET	SHEET NO.
F.A.P. 776	(116BR -1B-1	HAMILTON	140	34	15
FED. ROAD DIST. NO. 7	ILLINOIS	FED. AID PROJECT-			

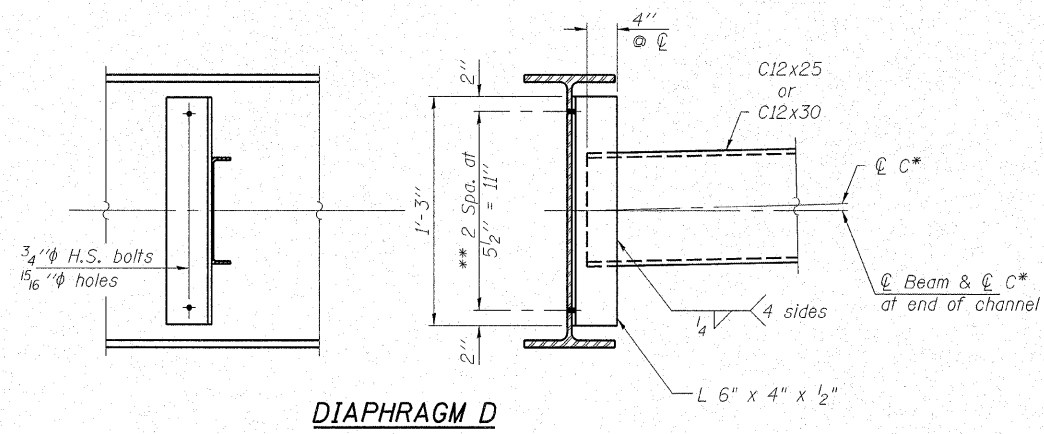
Contract #78006



Note: Components designated N.T.R. shall conform to the supplemental Requirements for Notch Toughness (Zone 2).



SECTION A-A



DIAPHRAGM D

Notes:
Two hardened washers required for each set of oversized holes.

All cross frames or diaphragms shall be installed as steel is erected and secured with erection pins and bolts except as otherwise noted. Individual cross frames or diaphragms at supports may be temporarily disconnected to install bearing anchor rods.

* Alternate channels are permitted to facilitate material acquisition. Calculated weight of structural steel is based on the lighter section.
** 3/4 inch diameter HS bolts, 15/16 inch diameter holes

TOP OF BEAM ELEVATIONS

(For Fabrication Only)

Location	Beam 1	Beam 2	Beam 3	Beam 4	Beam 5	Beam 6
⊕ Brg. N. Abutment	372.570	372.668	372.750	372.739	372.634	372.514
⊕ Brg. Pier 1	372.586	372.690	372.779	372.775	372.676	372.563
⊕ Splice	372.604	372.716	372.812	372.816	372.725	372.619
⊕ Brg. Pier 2	372.587	372.701	372.799	372.804	372.715	372.610
⊕ Brg. S. Abutment	372.514	372.634	372.739	372.750	372.668	372.570

HAMPTON, LENZINI & RENWICK, INC.
CIVIL & STRUCTURAL ENGINEERS
LAND SURVEYORS

3085 STEVENSON DRIVE, SUITE 201
SPRINGFIELD, ILLINOIS 62703
(217) 546-3400

ELGIN • SPRINGFIELD

PROJECT NUMBER: 12-41-0021-1 DATE: 10/25/07
DESIGNED: P.L. CHECKED: S.W.M. DRAWN: D.T.M.

BEAM DETAILS

IL ROUTE 142 OVER CONTRARY CREEK
F.A.P. ROUTE 776 - SECTION (116BR-1)B-1
HAMILTON COUNTY
STRUCTURE NO. 033-0050 / STATION 516+75

PLOT DATE: 10/26/2007 FILE NAME: 0330051-78006-41021br-dga0050.dgn