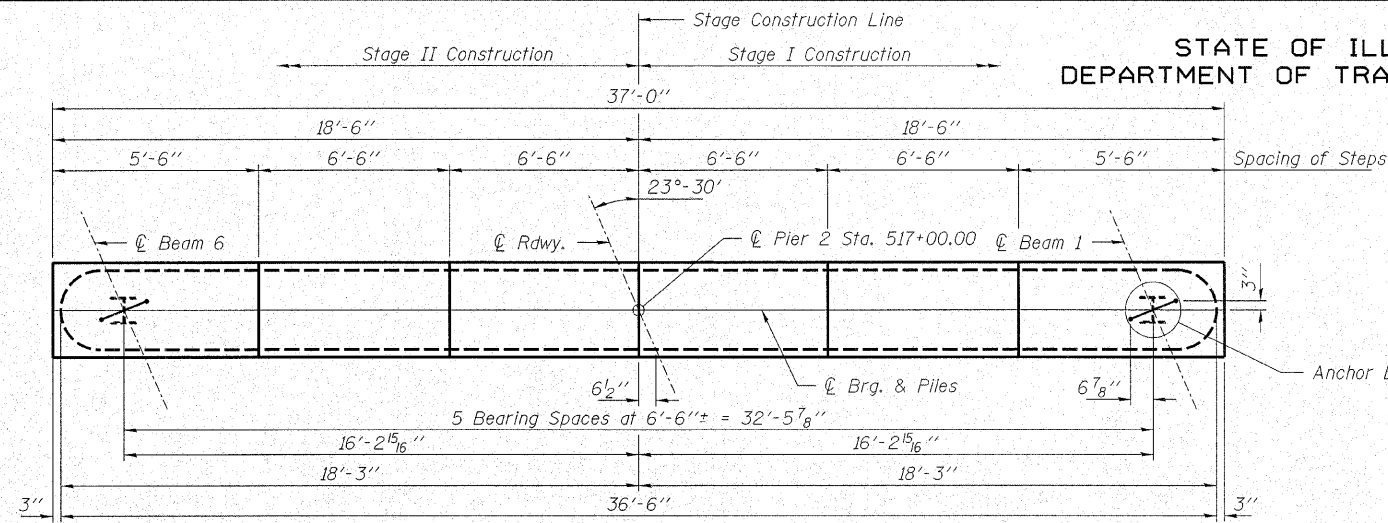


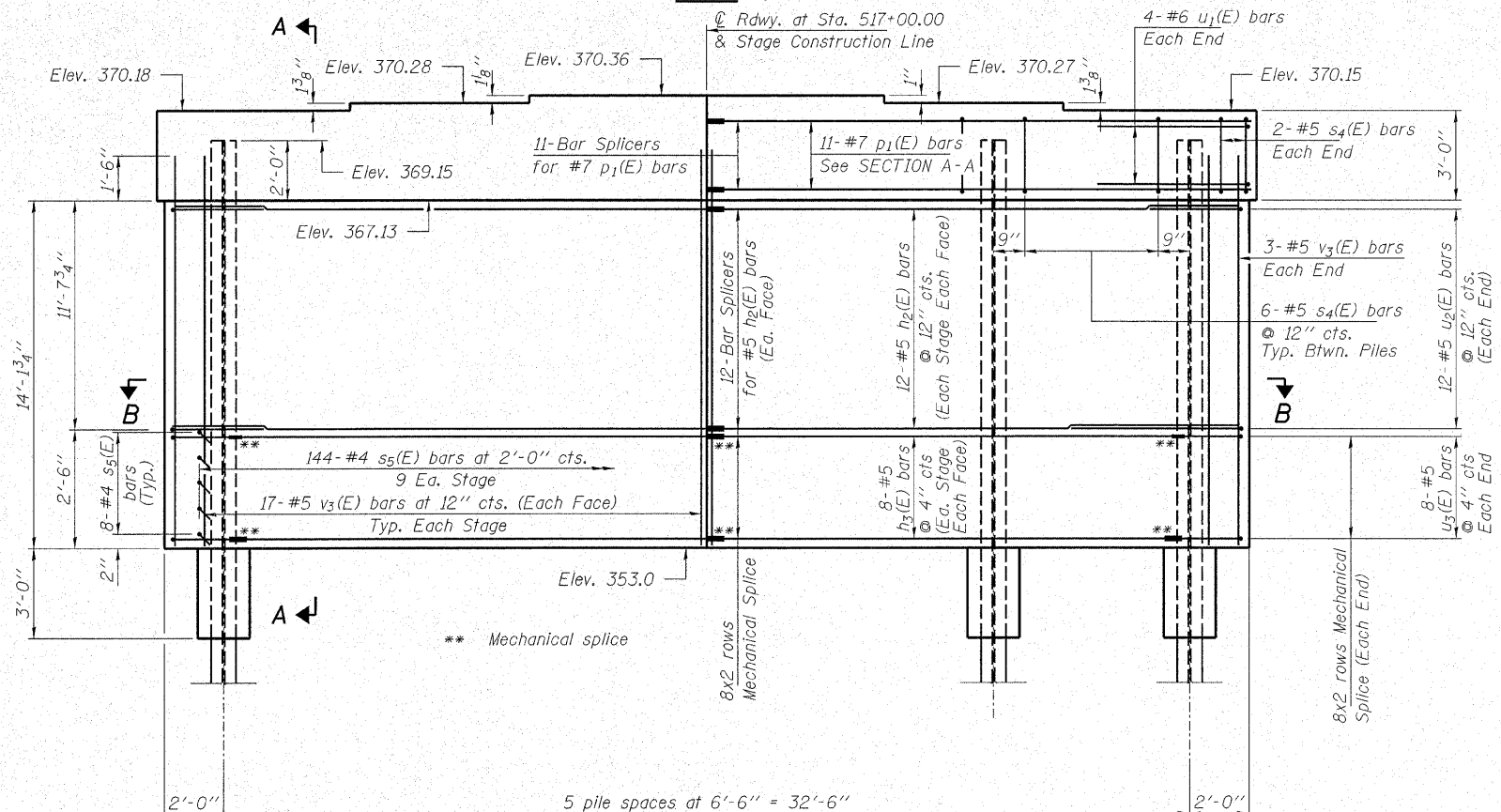
STATE OF ILLINOIS  
DEPARTMENT OF TRANSPORTATION

ROUTE NO. F.A.P. 776	SECTION (116BR -11B-1	COUNTY HAMILTON	SHEET NO. 140	SHEET 38	SHEET NO. 19 25 SHEETS
FED. ROAD DIST. NO. 7		ILLINOIS	FED. AID PROJECT-		

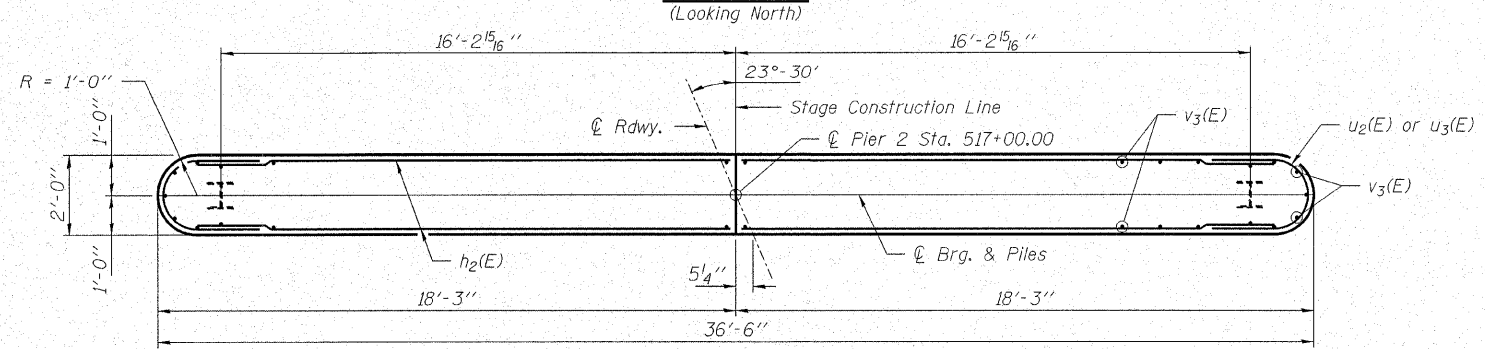
Contract #78006



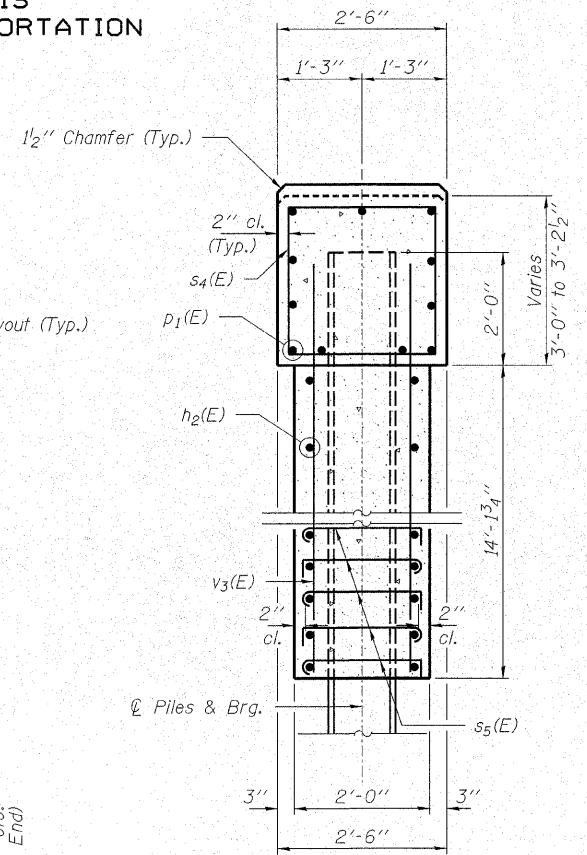
PLAN



ELEVATION  
(Looking North)



SECTION B-B



SECTION A-A

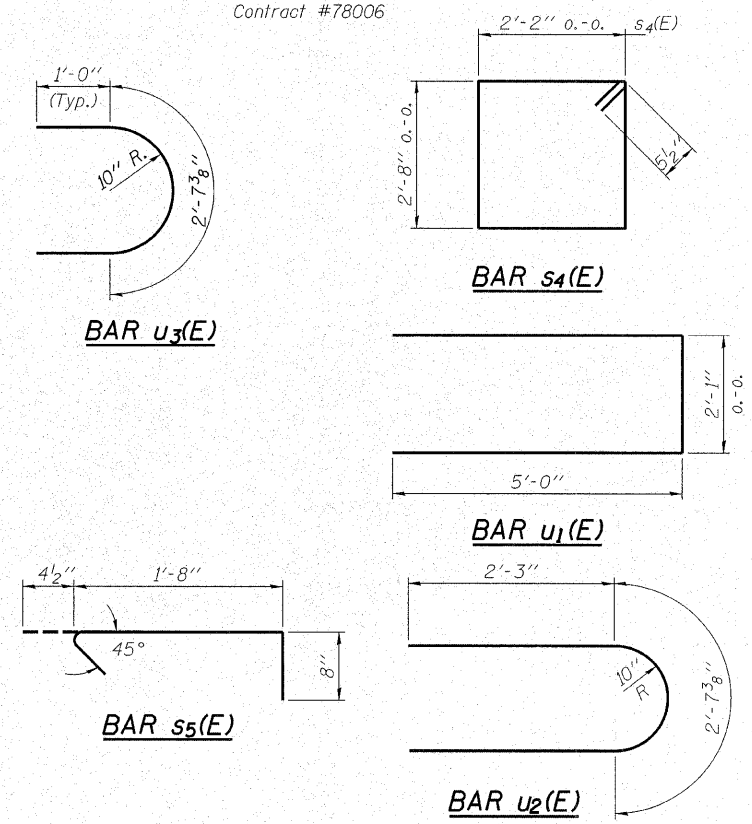
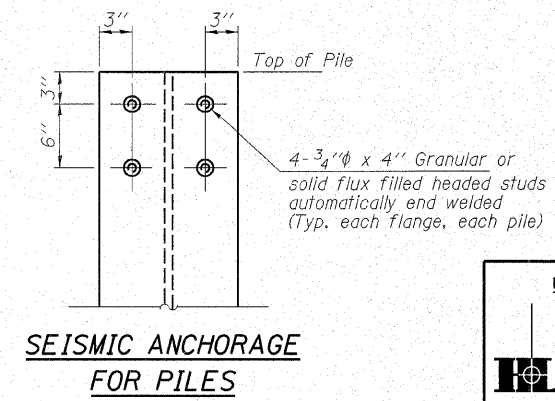
Note: For detail of Pile Encasement see Sheet 22 of 25. Space reinforcement in cap to miss anchor bolts.

PILE DATA

Type and Size \_\_\_\_\_ Steel HP10x57  
No. Req'd. \_\_\_\_\_ \*6  
Nominal Req'd Bearing \_\_\_\_\_ 453 Kips/Pile  
Allowable Resistance Available \_\_\_\_\_ 151 Kips/Pile  
Est. Lengths \_\_\_\_\_ 70 Ft/Pile

Notes: The Steel H-Piles shall be according to AASHTO M270 Grade 50.  
The test piles shall be driven to 110 percent of the Nominal Required Bearing indicated in the pile data information.

\* Includes one test pile to be driven in a permanent location.



BILL OF MATERIAL

Bar	No.	Size	Length	Shape
h <sub>2</sub> (E)	48	#5	17'-1"	—
h <sub>3</sub> (E)	32	#5	16'-1"	—
p <sub>1</sub> (E)	22	#7	18'-2"	—
s <sub>4</sub> (E)	34	#5	10'-7"	⊔
s <sub>5</sub> (E)	144	#4	2'-9"	⊔
u <sub>1</sub> (E)	8	#6	12'-1"	⊔
u <sub>2</sub> (E)	24	#5	7'-2"	⊔
u <sub>3</sub> (E)	16	#5	4'-8"	⊔
v <sub>3</sub> (E)	74	#5	15'-6"	—
Structure Excavation			Cu. Yd.	22
Concrete Structures			Cu. Yd.	47.8
Concrete Encasement			Cu. Yd.	2.0
Stud Shear Connectors			Each	48
Reinforcement Bars, Epoxy Coated			Pound	4,450
Bar Splicers			Each	35
Furnishing Steel Piles, HP10x57			Foot	420
Driving Piles			Foot	420
Underwater Structure Excavation Protection Location 1			Each	1
Mechanical Splice			Each	48

For details of Bar Splicers, see sheet 20 of 25.  
For details of Piles and Concrete Encasement, see sheet 22 of 25.

**HAMPTON, LENZINI & RENWICK, INC.**  
CIVIL & STRUCTURAL ENGINEERS  
LAND SURVEYORS

**ILR**

3085 STEVENSON DRIVE, SUITE 201  
SPRINGFIELD, ILLINOIS 62703  
(217) 546-3400

ELGIN • SPRINGFIELD

PROJECT NUMBER: 12-41-0021-1      DATE: 10/25/07  
DESIGNED: P.L.      CHECKED: S.W.M.      DRAWN: D.T.M.

**PIER 2**

**IL ROUTE 142 OVER CONTRARY CREEK**  
F.A.P. ROUTE 776 - SECTION (116BR-11B-1)  
HAMILTON COUNTY

**STRUCTURE NO. 033-0050 / STATION 516+75**

PLOT DATE: 10/25/2007 FILE NAME: 0330051-78006-41021br-0050.dgn