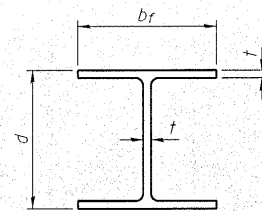


STATE OF ILLINOIS
DEPARTMENT OF TRANSPORTATION

ROUTE NO.	SECTION	COUNTY	TOTAL SHEETS	SHEET NO.
F.A.P. 776	(116BR-2)B-1	HAMILTON	140	61
FED. ROAD DIST. NO. 7		ILLINOIS	FED. AID PROJECT-	

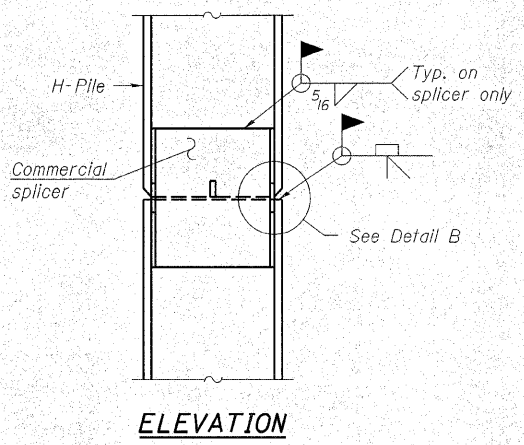
Contract #78006

SHEET NO. 17
21 SHEETS

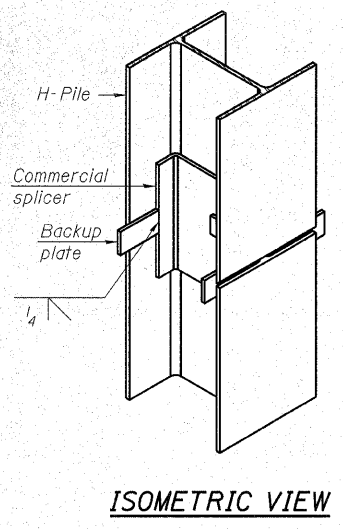


STEEL PILE TABLE

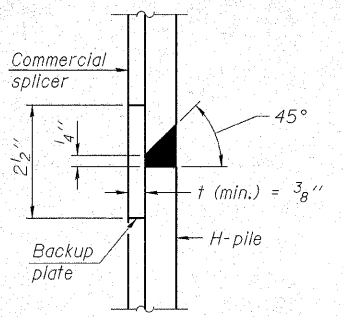
Designation	Depth d	Flange width bf	Web and Flange thickness t	Encasement diameter A
HP 14x117	14 1/4"	14 7/8"	13/16"	30"
x102	14"	14 3/4"	11/16"	30"
x89	13 7/8"	14 3/4"	5/8"	30"
x73	13 5/8"	14 5/8"	1/2"	30"
HP 12x84	12 1/4"	12 1/4"	11/16"	24"
x74	12 1/8"	12 1/4"	5/8"	24"
x63	12"	12 1/8"	1/2"	24"
x53	11 3/4"	12"	7/16"	24"
HP 10x57	10"	10 1/4"	9/16"	24"
x42	9 3/4"	10 1/8"	7/16"	24"
HP 8x36	8"	8 1/8"	7/16"	18"



ELEVATION

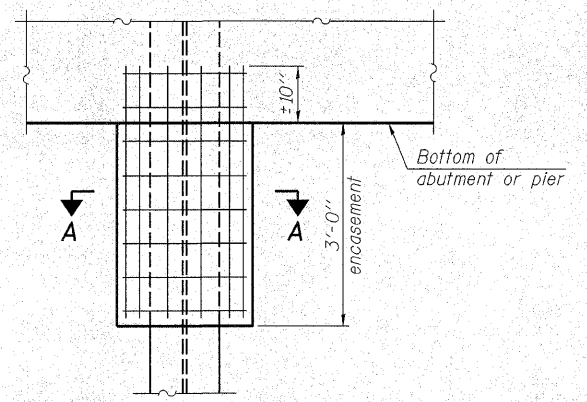


ISOMETRIC VIEW



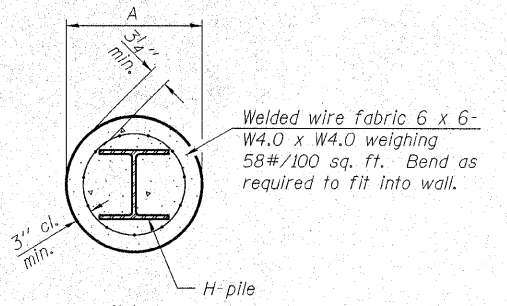
DETAIL "B"

WELDED COMMERCIAL SPLICE



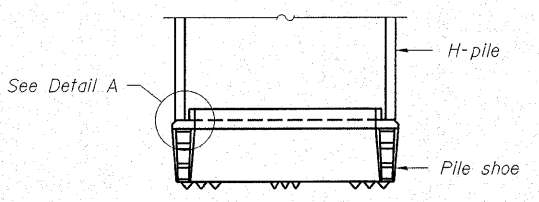
ELEVATION

PILE ENCASEMENT



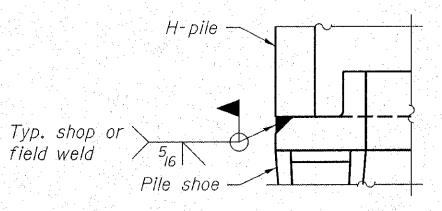
SECTION A-A

Note:
Forms for encasement may be omitted when soil conditions permit.

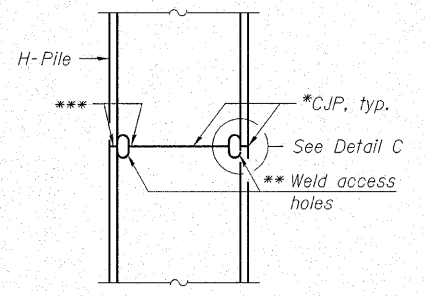


ELEVATION

H-PILE SHOE ATTACHMENT

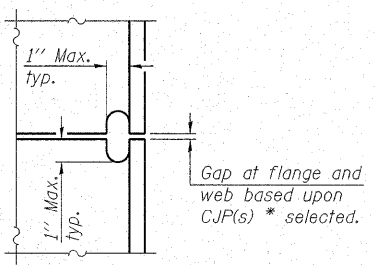


DETAIL A

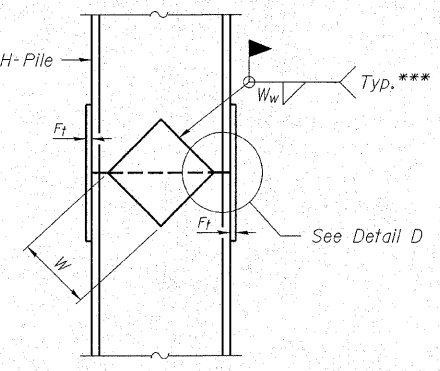


ELEVATION

COMPLETE PENETRATION WELD SPLICE

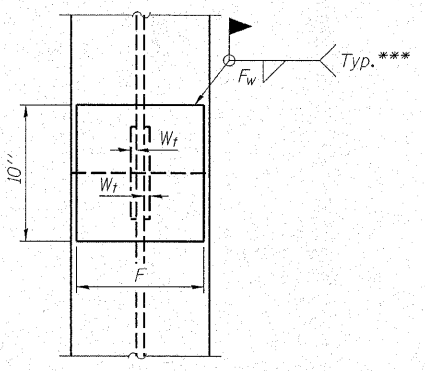


DETAIL C



ELEVATION

WELDED PLATE FIELD SPLICE



END VIEW

Designation	F	F _t	F _w	W	W _t	W _w
HP 14x117	12 1/2"	1"	7/8"	7 3/4"	5 8"	1/2"
x102	12 1/2"	7/8"	3/4"	7 3/4"	5 8"	1/2"
x89	12 1/2"	3/4"	11/16"	7 3/4"	5 8"	1/2"
x73	12 1/2"	5/8"	9/16"	7 3/4"	5 8"	1/2"
HP 12x84	10"	7/8"	11/16"	6 1/2"	5 8"	1/2"
x74	10"	7/8"	11/16"	6 1/2"	5 8"	1/2"
x63	10"	5/8"	1/2"	6 1/2"	1/2"	3/8"
x53	10"	5/8"	1/2"	6 1/2"	1/2"	3/8"
HP 10x57	8"	3/4"	9/16"	5 1/4"	1/2"	3/8"
x42	8"	5/8"	9/16"	5 1/4"	1/2"	3/8"
HP 8x36	7"	5/8"	7/16"	4 1/4"	1/2"	3/8"

Note:
The steel H-piles shall be according to AASHTO M270 Grade 50.

- * Use joint conforming to Figure 3.4 in AWS D1.1, Structure Welding Code - Steel.
- ** Preparation per Fig. 5.2 in AWS D1.1, Structure Welding Code - Steel.
- *** Interrupt welds 1/4" from end of each pile.

HAMPTON, LENZINI & RENWICK, INC.
CIVIL & STRUCTURAL ENGINEERS
LAND SURVEYORS

3085 STEVENSON DRIVE, SUITE 201
SPRINGFIELD, ILLINOIS 62703
(217) 546-3400

ELGIN • SPRINGFIELD

PROJECT NUMBER: 12-41-0021-1 | DATE: 09/25/07
DESIGNED: S.M.S. | CHECKED: S.W.M. | DRAWN: D.B.

STEEL H PILES

IL RTE. 142 OVER CONTRARY CREEK (NORTH OVERFLOW)

F.A.P. ROUTE 776 - SECTION (116BR-2)B-1

HAMILTON COUNTY

STRUCTURE NO. 033-0051 / STATION 539+14.20

PLOT DATE: 10/26/2007 FILE NAME: 0330051-78006-41021-br.dgn

F-HP

11-1-06