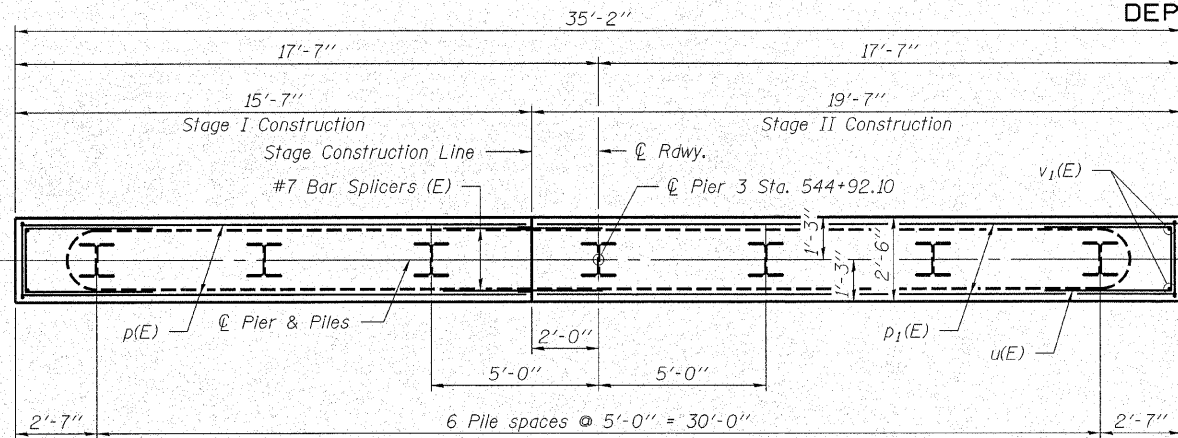


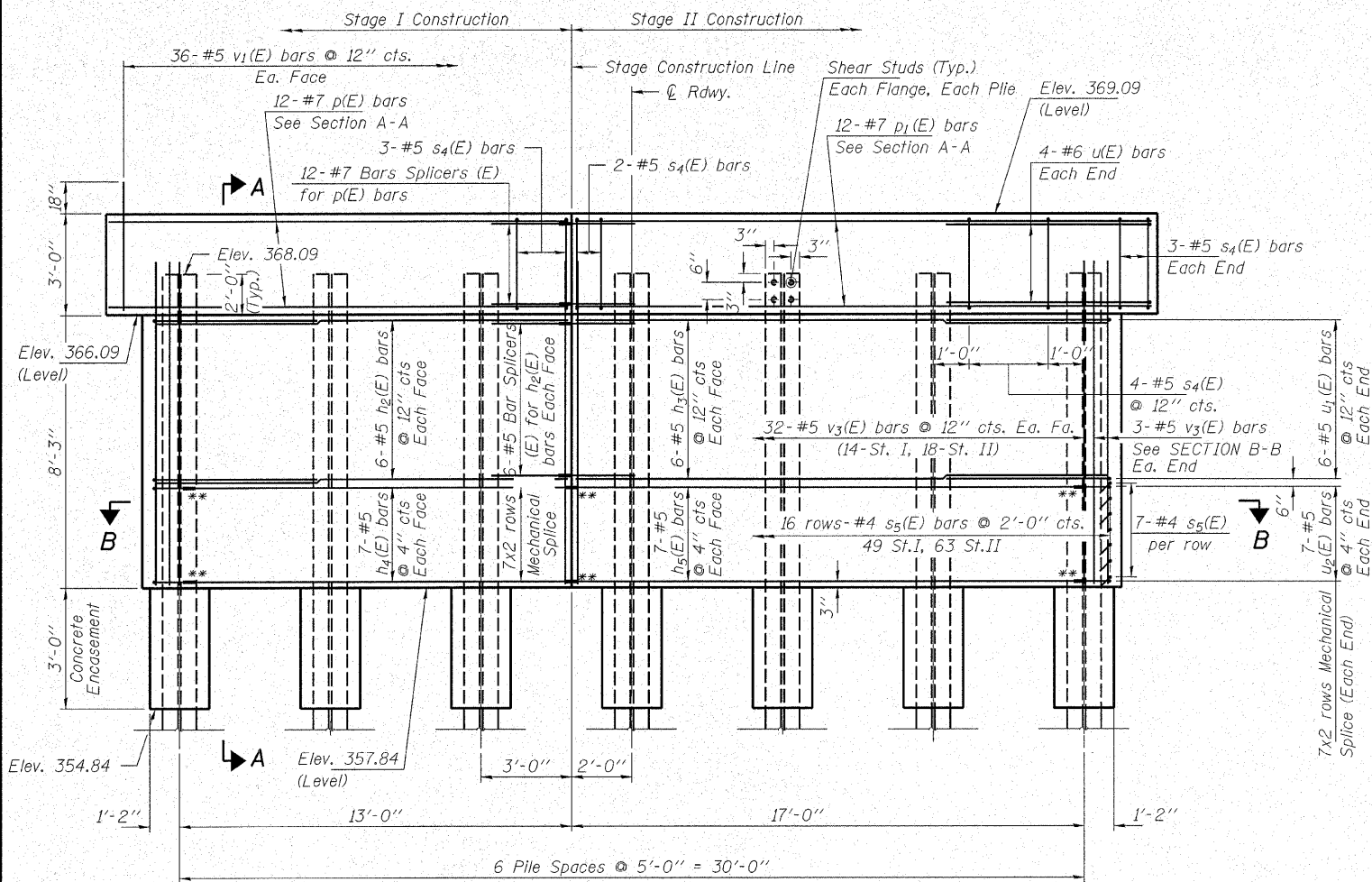
STATE OF ILLINOIS  
DEPARTMENT OF TRANSPORTATION

ROUTE NO.	SECTION	COUNTY	TOTAL SHEETS	SHEET NO.	SHEET NO. 15
F.A.P. 776	(116BR-31B-1	HAMILTON	140	80	21 SHEETS
FED. ROAD DIST. NO. 7	ILLINOIS	FED. AID PROJECT			

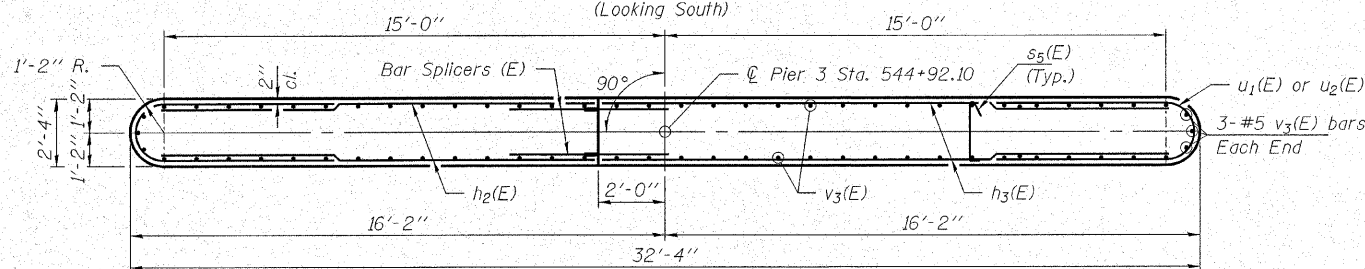
Contract #78006



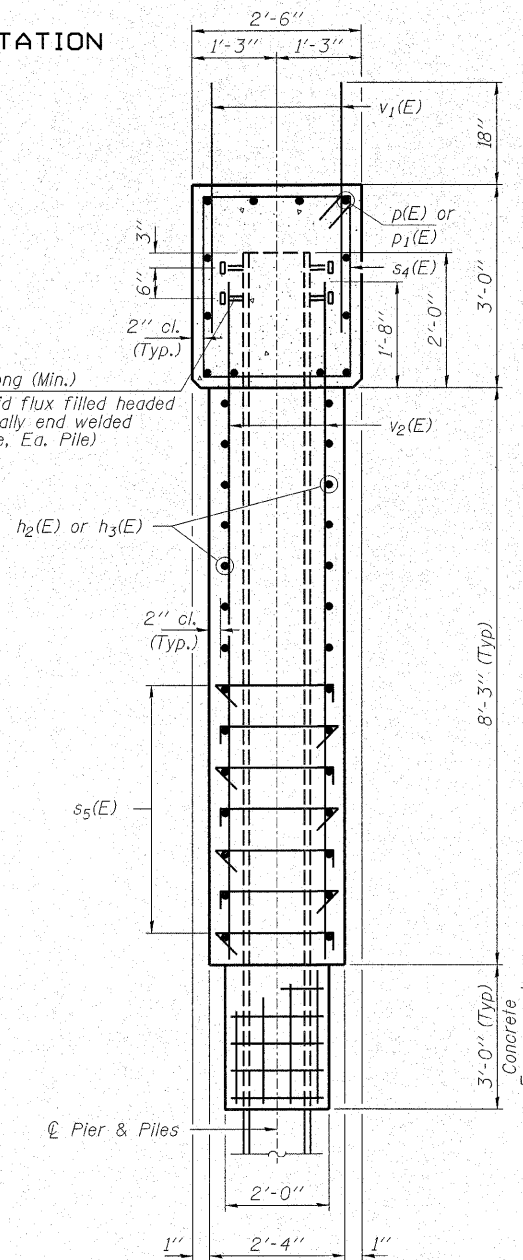
PLAN



ELEVATION  
(Looking South)

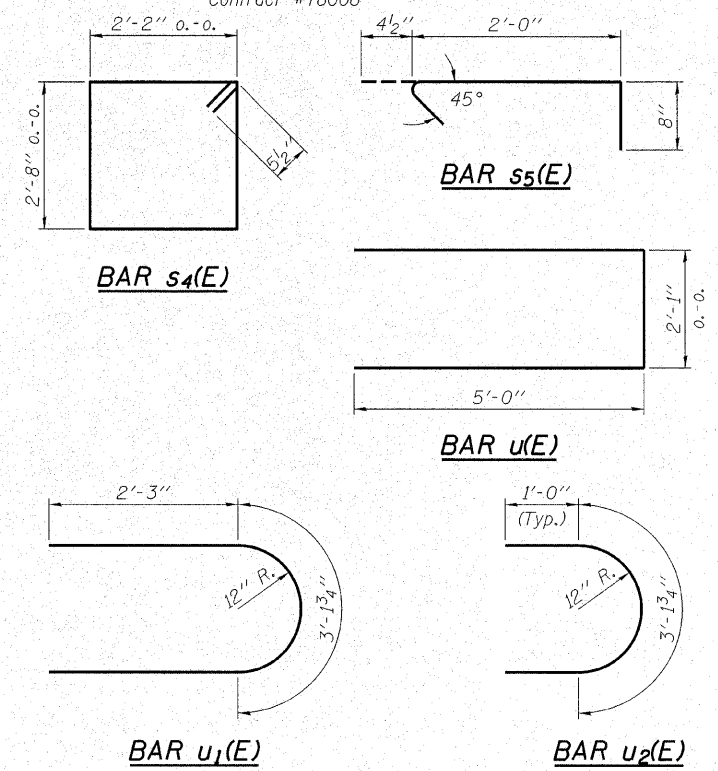


SECTION B-B



SECTION A-A

4-3/4"φ x 4" long (Min.)  
Granular or solid flux filled headed studs automatically end welded (Typ. Ea. flange, Ea. Pile)



BILL OF MATERIAL - PIER 3

BAR	NO.	SIZE	LENGTH	SHAPE
h2(E)	12	#5	12'-10"	—
h3(E)	12	#5	16'-10"	—
h4(E)	14	#5	11'-10"	—
h5(E)	14	#5	15'-10"	—
p(E)	12	#7	15'-3"	—
p1(E)	12	#7	19'-3"	—
s4(E)	31	#5	10'-7"	□
s5(E)	112	#4	3'-1"	J
u(E)	8	#6	12'-1"	—
u1(E)	12	#5	7'-8"	—
u2(E)	14	#5	3'-2"	—
v1(E)	72	#5	4'-0"	—
v3(E)	70	#5	9'-6"	—
Concrete Structures			Cu. Yd.	32.5
Concrete Encasement			Cu. Yd.	2.4
Stud Shear Connectors			Each	56
Reinforcement Bars, Epoxy Coated			Pound	3,500
Bar Splicers			Each	24
Furnishing Steel Piles HPI0x57			Foot	420
Underwater Structure Excavation Protection Location 8			Each	1
Mechanical Splice			Each	42

For details of Bar Splicers, see sheet 16 of 21.  
For details of Piles and Concrete Encasement, see sheet 17 of 21.

PILE DATA

Type and Size \_\_\_\_\_ Steel HPI0x57  
No. Req'd. \_\_\_\_\_ 7  
Nominal Req'd Bearing \_\_\_\_\_ 453 Kips/Pile  
Allowable Resistance Available \_\_\_\_\_ 151 Kips/Pile  
Est. Lengths \_\_\_\_\_ 60 Ft/Pile

Note: The Steel H-Piles shall be according to AASHTO M270 Grade 50.

\*\* Mechanical splice

**HAMPTON, LENZINI & RENWICK, INC.**  
CIVIL & STRUCTURAL ENGINEERS  
LAND SURVEYORS

3085 STEVENSON DRIVE, SUITE 201  
SPRINGFIELD, ILLINOIS 62703  
(217) 546-3400

ELGIN • SPRINGFIELD

PROJECT NUMBER: 12-41-0021-1 DATE: 10/25/07  
DESIGNED: R.J.P. CHECKED: S.W.M. DRAWN: D.A.B.

**PIER 3**  
IL RTE. 142 OVER CONTRARY CREEK (SOUTH OVERFLOW)  
F.A.P. ROUTE 776 - SECTION (116BR-31B-1  
HAMILTON COUNTY  
STRUCTURE NO. 033-0052 / STATION 544+53.10

PLOT DATE: 10/26/2007 FILE NAME: 0130052-78006-41021b-1.dwg