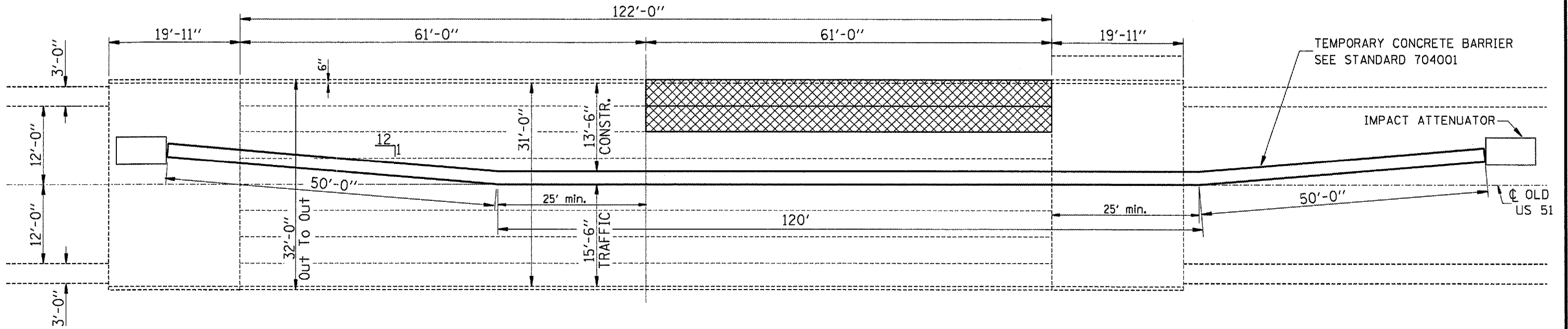


SEE TRAFFIC CONTROL AND PROTECTION STANDARD 701321 FOR DETAILS NOT SHOWN.

STATE OF ILLINOIS
DEPARTMENT OF TRANSPORTATION

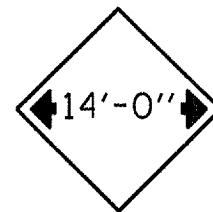
ROUTE NO.	SECTION	COUNTY	TOTAL SHEETS	SHEET NO.
FAP 885 FAS 2836	•	POPE PULASKI	21	20

FED. ROAD DIST. NO. 7
BLANKS
FED. AID PROJECT:
*(6A, 14X, 16)I-1
CONTRACT NO. 78018



TEMPORARY CONCRETE BARRIER

 BEAM REPLACEMENT



W12-I102(0)-48

077-0016