

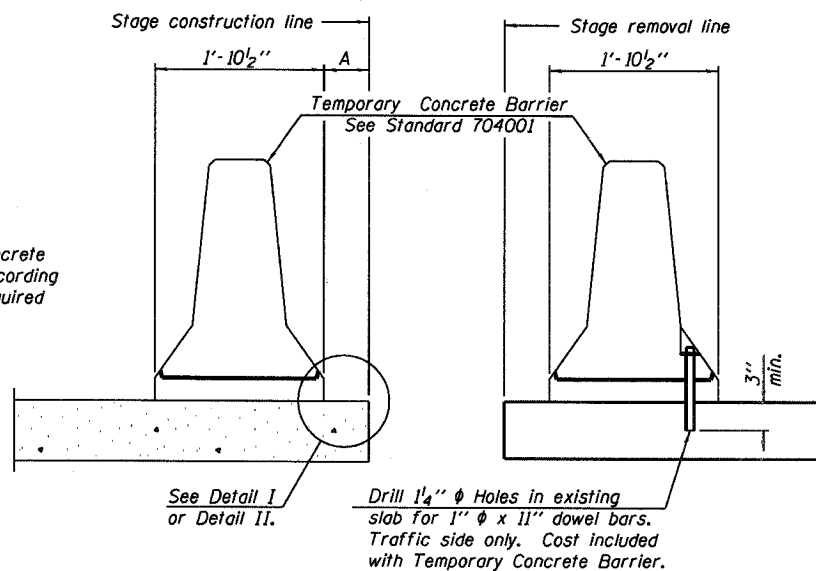
STATE OF ILLINOIS
DEPARTMENT OF TRANSPORTATION

ROUTE NO. 778	SECTION 3BR-1	COUNTY HARDIN	SHEET NO. 69	SHEET 16
F.A.P.		ILLINOIS		
FED. ROAD DIST. NO. 7		FED. AID PROJECT		

SHEET NO. 6
14 SHEETS

Contract #78023

When "A" is 3'-6" or less, the temporary concrete barrier shall be anchored to the new slab according to Detail I or Detail II. No anchorage is required when "A" is greater than 3'-6".



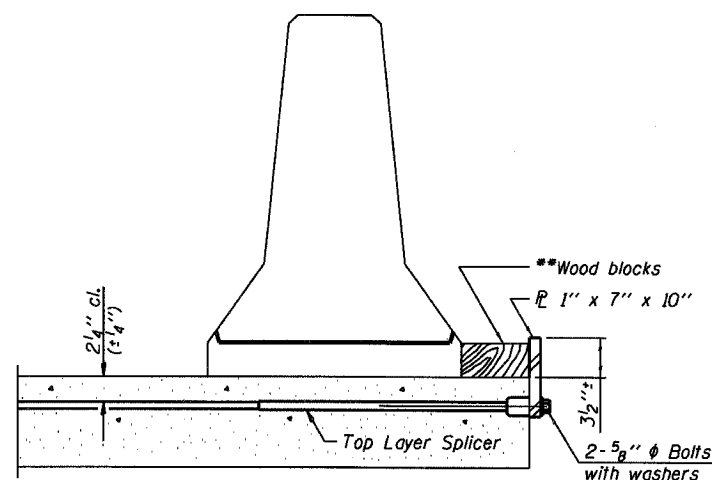
NEW SLAB

EXISTING SLAB

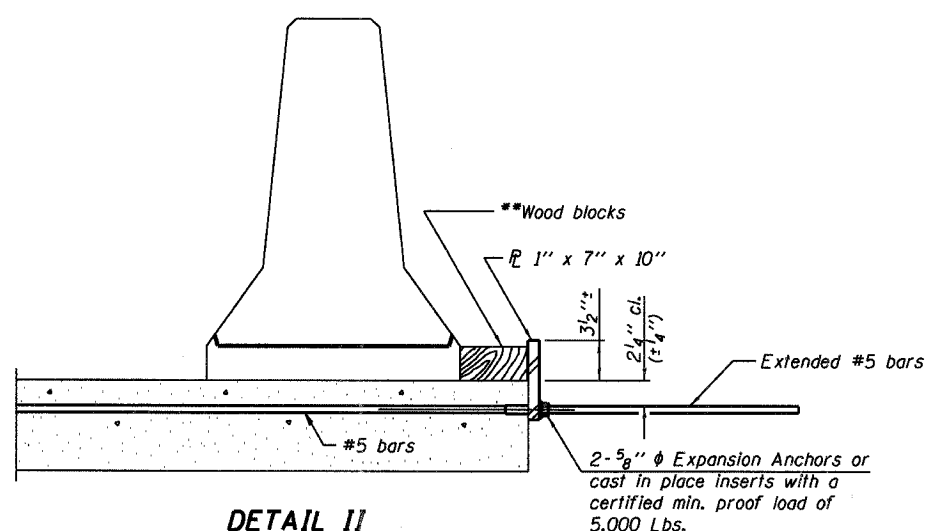
SECTIONS THRU SLAB

NOTES

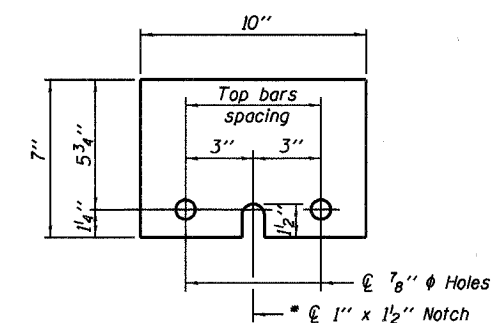
- Detail I - With Bar Splicer or Couplers:
Connect one (1) 1"x7"x10" steel \bar{P} to the top layer of couplers with 2-5/8" ϕ bolts screwed to coupler at approximate \bar{C} of each barrier panel.
- Detail II - With Extended Reinforcement Bars:
Connect one (1) 1"x7"x10" steel \bar{P} to the concrete slab with 2-5/8" ϕ Expansion Anchors or cast in place inserts spaced between the top layer of reinforcement at approximate \bar{C} of each barrier panel.
- Cost of anchorage is included with Temporary Concrete Barrier. The 1" x 7" x 10" plate shall not be removed until stage II construction forms and all reinforcement bars are in place and the concrete is ready to be placed.
See Roadway Plans for quantity of temporary concrete barrier.



DETAIL I



DETAIL II



STEEL RETAINER \bar{P} 1" x 7" x 10"

* Required only with Detail II

** Wood blocks may be omitted when required to provide minimum stage traffic lane width. When the wood blocks are omitted, the concrete barrier shall be in direct contact with the steel retainer plate.



DESIGNED	RLM
CHECKED	MEL
DRAWN	AEC
CHECKED	RLM

R-27

11-1-06

TEMPORARY CONCRETE BARRIER
FOR STAGE CONSTRUCTION
ILL. ROUTE 34 OVER PINHOOK CREEK
F.A.P. ROUTE 778 SECTION 3BR-1
HARDIN COUNTY
STATION 806+15.00
STRUCTURE NO. 035-0005