

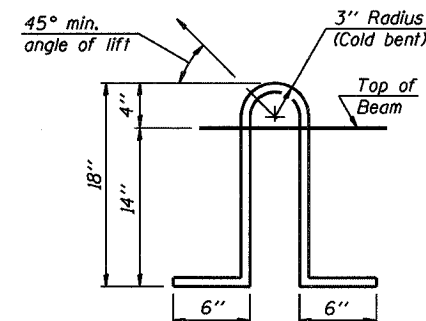
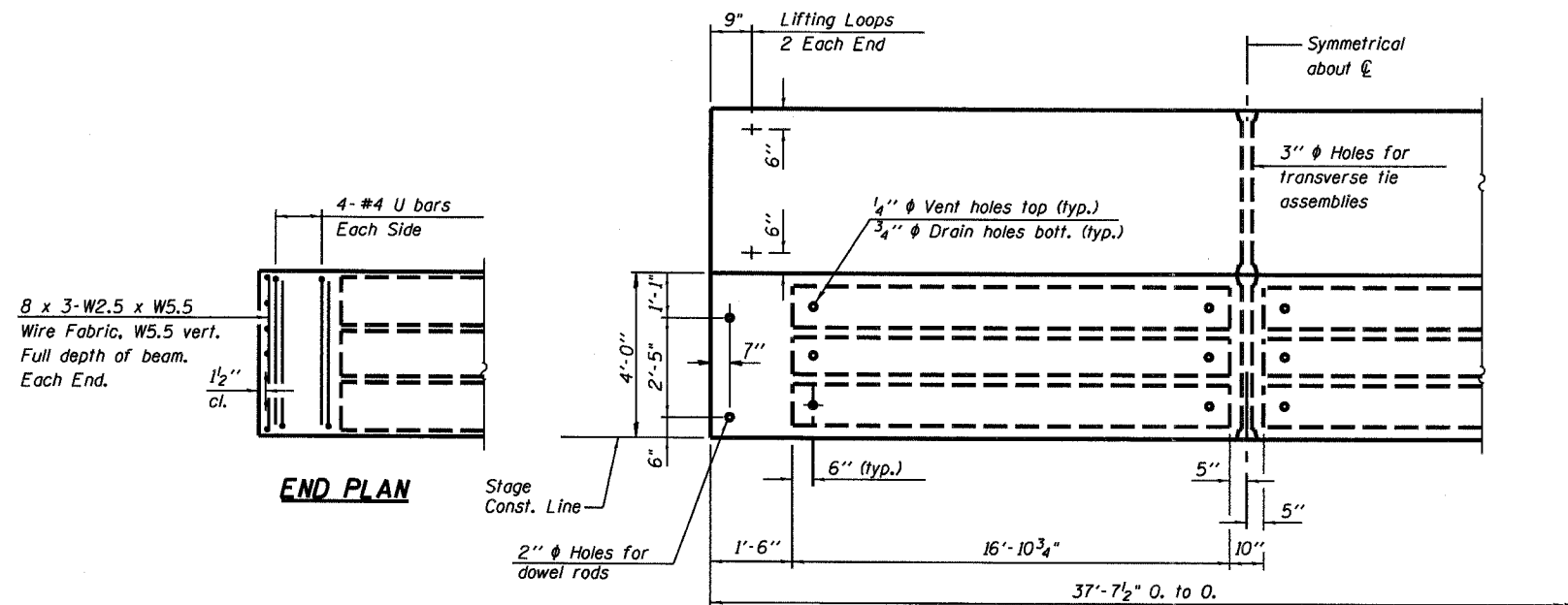
STATE OF ILLINOIS
DEPARTMENT OF TRANSPORTATION

ROUTE NO.	SECTION	COUNTY	SQ. YDS.	FEET	SHEET NO. 8
F.A.P. 778	3BR-1	HARDIN	69	18	14 SHEETS
FED. ROAD DIST. NO. 7	ILL. ROAD	FED. AID PROJECT			

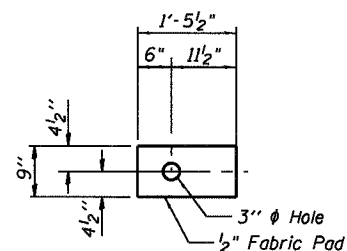
Contract #78023

NOTES

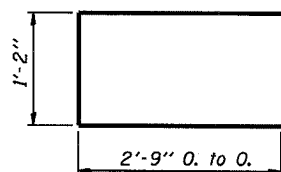
1. Prestressing steel shall be uncoated high strength, low relaxation 7-wire strand, Grade 270.
2. The nominal diameter shall be 1/2" and the nominal cross-sectional area shall be 0.153 sq. in.
3. Lifting loops shall be 2-1/2" φ - 270 ksi strands, as shown.
4. Lifting loops shall be burned off after beams have been erected.
5. The 1" φ rods in the transverse assembly shall be tightened to a snug fit and the threads set. Pockets that receive transverse tie bar on outside shall be filled with grout after transverse tie assembly is in place.
6. Non prestressing steel shall conform to ASTM A 706 (IL MOD), Grade 60.
7. The bearing seat surfaces shall be adjusted by shimming to assure firm and even bearing. Two 1/8" fabric adjusting shims of the dimensions of the exterior bearing pad shall be provided for each bearing.
8. Keyway surfaces shall be cleaned to remove form oil or other bond breaking material prior to shipment of the beams. Cleaning shall be done by sandblasting the keyway areas between top of the beam and the bottom edge of the key.
9. Corrosion Inhibitor, per Article 1020.05(b)(12) of the Standard Specifications, shall be used in the concrete for precast prestressed concrete deck beams.
10. Required Release Strength, f'ci, shall be 4,000 p.s.i.
11. See Sheet No. 7 of 14 for required fascia beam modifications for rail anchorage.
12. Cost to furnish and erect Tapered Steel Shims included with Precast Prestressed Concrete Deck Beams (17").



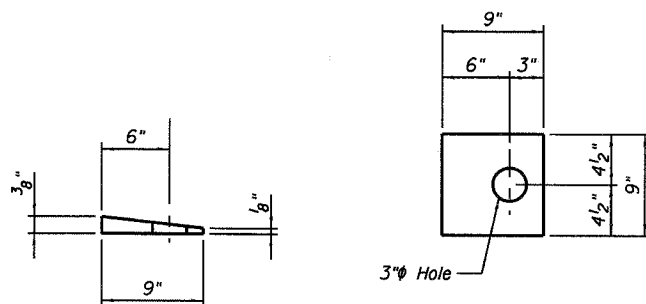
LIFTING LOOP DETAIL



FABRIC BEARING PAD
(Stage Construction Line)
(4 Required)

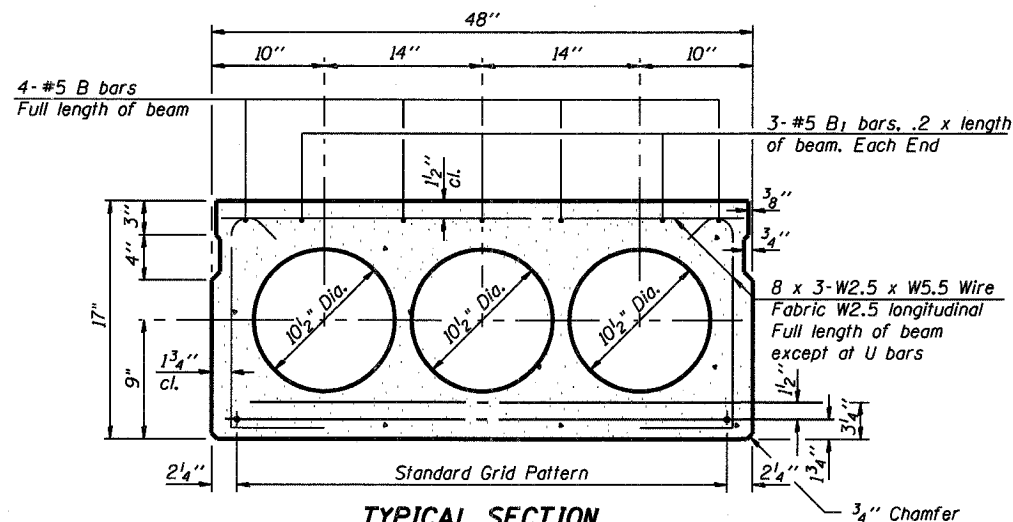


BAR U



TAPERED STEEL SHIM
(Stage Construction Line)
(2 Required)

Note: Steel shims shall be AASHTO Classification M270 Gr. 36 minimum and shall be galvanized according to AASHTO M111.



TYPICAL SECTION

13-1/2" φ Strands, Each Strand Stressed to 30,900 Lbs.
7-Strands 1 3/4" up, 6-Strands 3/4" up

Note: Place strands symmetrically about C of beam.

BILL OF MATERIAL

Item	Unit	Quantity
Precast Prestressed Conc. Deck Bms. (17")	Sq. Ft.	301

SUPERSTRUCTURE DETAILS
17" X 48" DECK BEAMS
ILL. ROUTE 34 OVER PINHOOK CREEK
F.A.P. ROUTE 778 SECTION 3BR-1
HARDIN COUNTY
STATION 806+15.00
STRUCTURE NO. 035-0005



DESIGNED	RLM
CHECKED	MEL
DRAWN	AEC
CHECKED	RLM

10/04/07