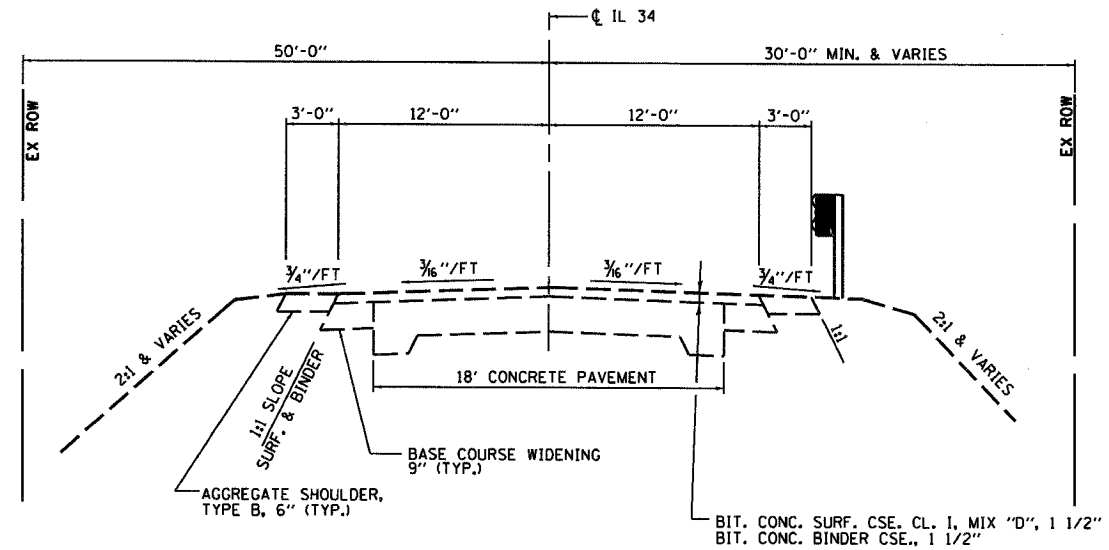


F.A.P. RTE.	SECTION	COUNTY	TOTAL SHEETS	SHEET NO.
778	4BR-1	HARDIN	69	39
STA.		TO STA.		
FED. ROAD DIST. NO. 7		ILLINOIS FED. AID PROJECT		

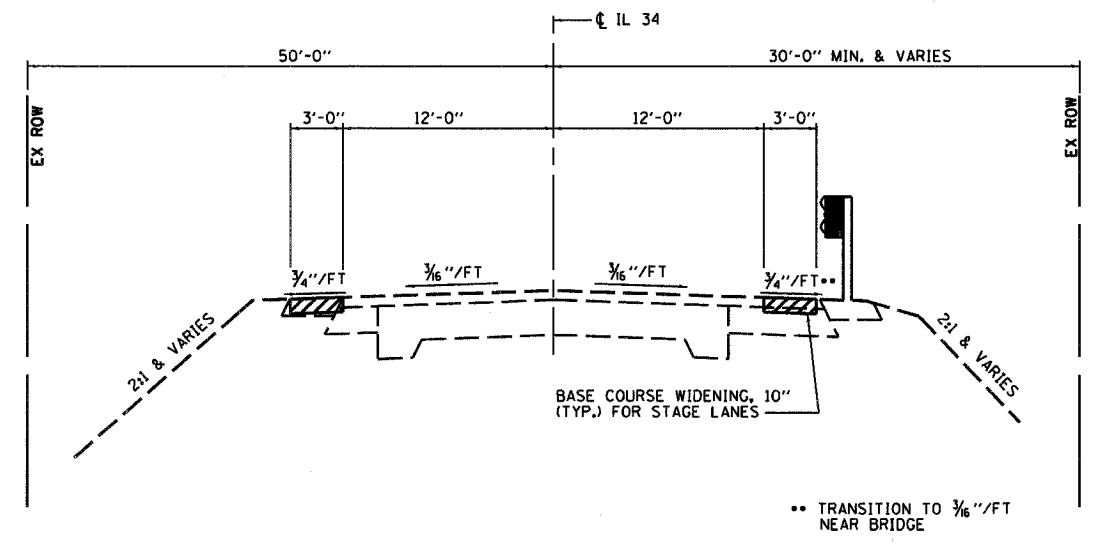


WITHOUT GUARDRAIL

WITH GUARDRAIL

EXISTING TYPICAL ROADWAY SECTION

STA. 1020+40.00 TO STA. 1021+61.33
 STA. 1021+98.67 TO STA. 1023+20.00



WITHOUT GUARDRAIL

WITH GUARDRAIL

PROPOSED TYPICAL ROADWAY SECTION

STA. 1020+40.00 TO STA. 1021+61.33
 STA. 1021+98.67 TO STA. 1023+20.00

NOTE: SEE THE STRUCTURAL PLANS FOR DETAILS OF BRIDGE WEARING SURFACE 2'-0" EXTENSION. COST FOR THIS WORK IS INCLUDED WITH THE COST FOR THE BRIDGE WEARING SURFACE.

HMA MIXTURE REQUIREMENTS

LOCATION(S):	BASE COURSE WIDENING
MIXTURE USE(S):	HOT MIX ASPHALT BINDER COURSE, N90, IL-19.0
AC/PG:	PG64-22
RAP % (MAX)	10
DESIGN AIR VOIDS:	4.0%, 90 GYRATION DESIGN
MIXTURE COMPOSITION: (GRADATION MIXTURE)	IL-19.00 mm
FRICITION AGGREGATE:	NONE

TYPICAL SECTION
F.A.P. ROUTE 778 (IL ROUTE 34)
SECTION 4BR-1
HARDIN COUNTY

PLOT DATE
 FILE NAME
 PLOT SCALE
 USER NAME

