

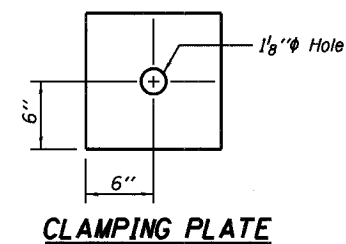
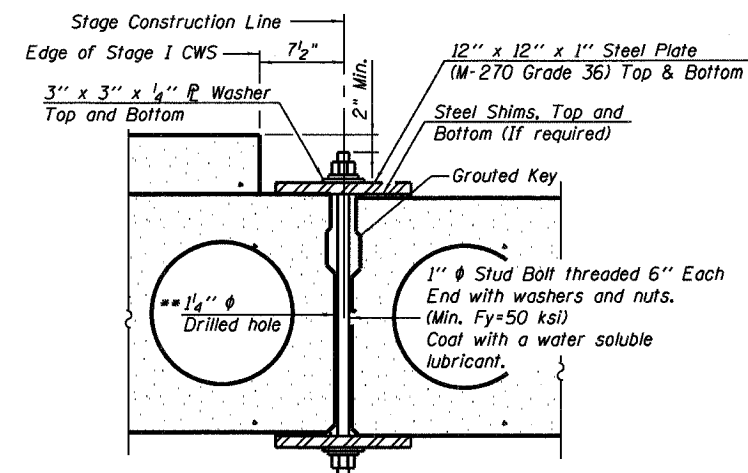
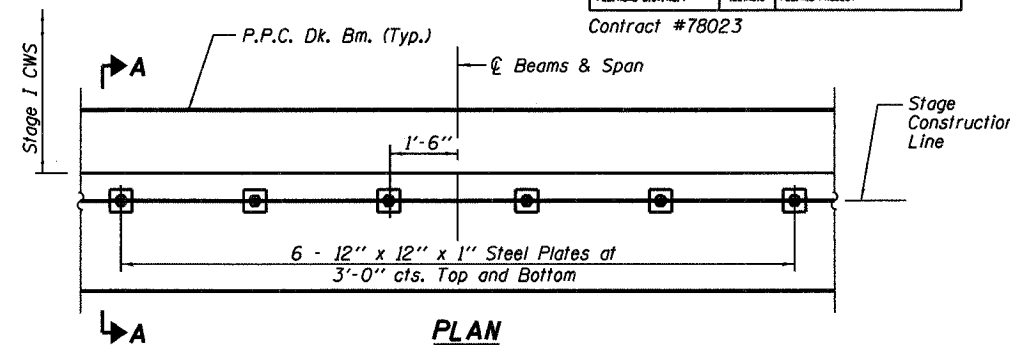
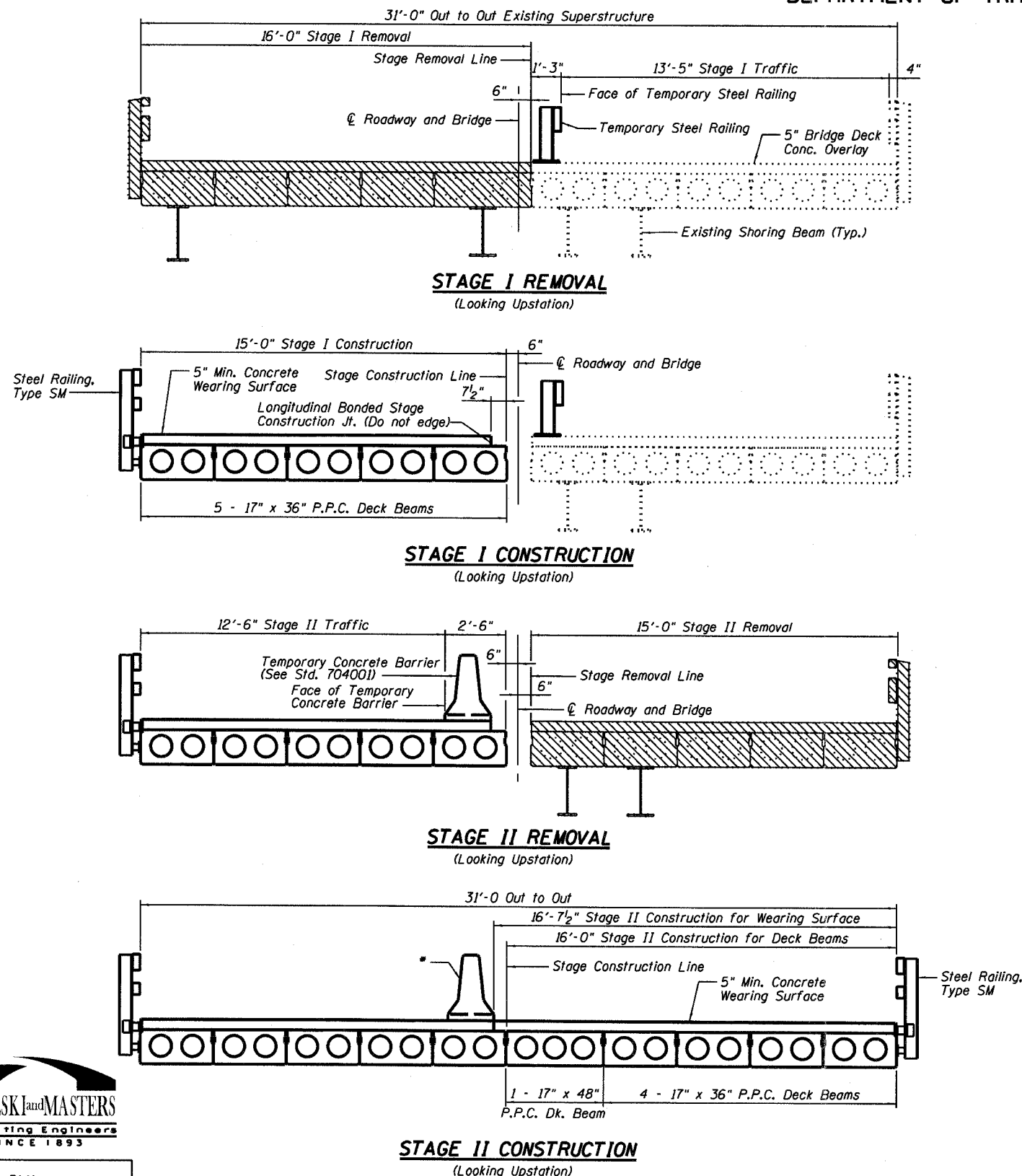
STATE OF ILLINOIS
DEPARTMENT OF TRANSPORTATION

ROUTE NO.	SECTION	COUNTY	DATE	SHEET
F.A.P. 778	4BR-1	HARDIN	69	48
FED. ROAD DIST. NO. 7	ILLINOIS	FED. AID PROJECT		

SHEET NO. 3

12 SHEETS

Contract #78023



SHEAR KEY CLAMPING DETAILS

See Article 504.06 of the Standard Specifications for Stage Construction of Precast Prestressed Concrete Deck Beams.
Cost included with Precast Prestressed Concrete Deck Beams (17").

** As an alternate to the drilled holes, the Contractor may request the Fabricator to cast 2" diameter semi-circular recesses in the sides of each beam adjacent to the stage construction line. These recesses should align to form a hole at the appropriate locations for the clamping device bolts. If the Contractor elects to use this alternate, the details shall be identified on the shop drawings.

STAGE CONSTRUCTION DETAILS
ILL. ROUTE 34 OVER HOBBS CREEK
F.A.P. ROUTE 778 SECTION 4BR-1
HARDIN COUNTY
STATION 1021+80.00
STRUCTURE NO. 035-0008



DESIGNED	RLM
CHECKED	MEL
DRAWN	AEC
CHECKED	RLM

10/04/07

* Temporary Concrete Barrier to be removed with Stage II Traffic Control upon completion of Stage II construction.