

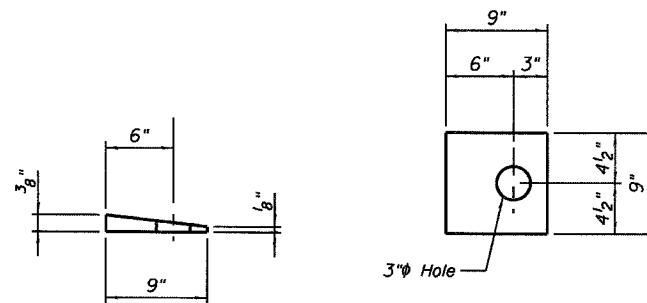
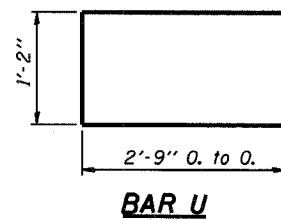
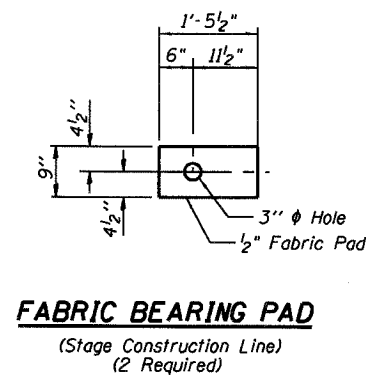
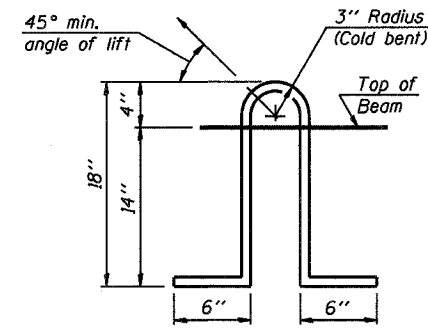
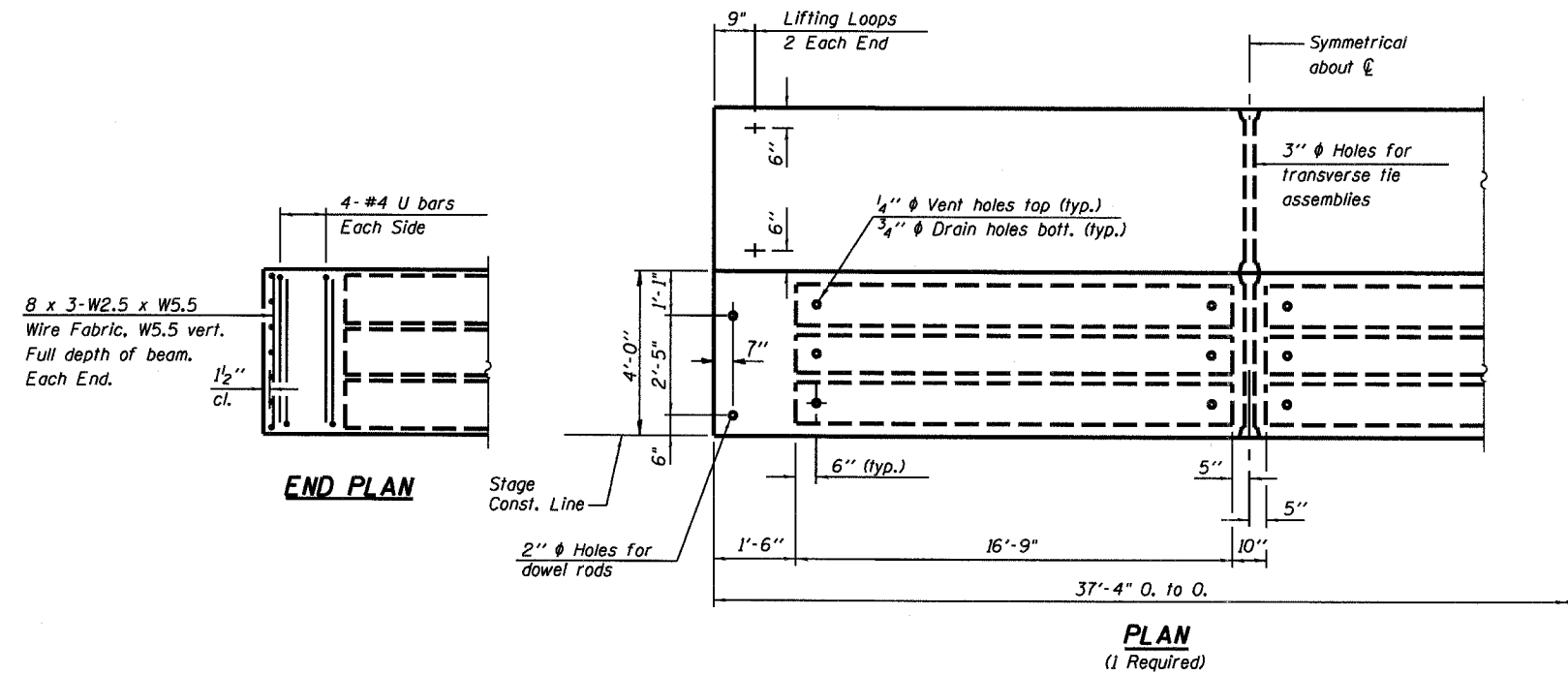
STATE OF ILLINOIS  
DEPARTMENT OF TRANSPORTATION

ROUTE NO.	SECTION	COUNTY	SHEETS	POST	SHEET NO. 7
F.A.P. 778	4BR-1	HARDIN	69	52	12 SHEETS
FED. ROAD DIST. NO. 7	ILLINOIS	FED. AID PROJECT			

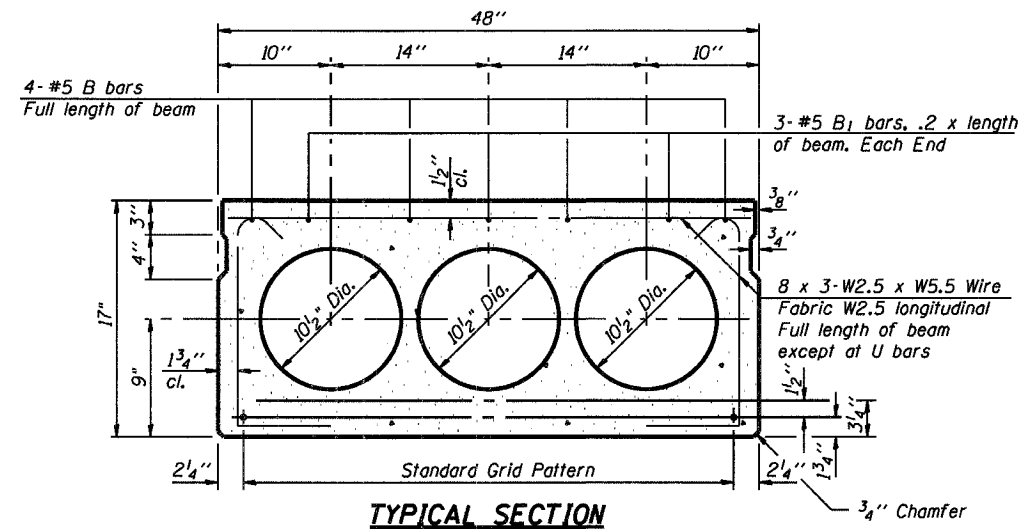
Contract #78023

**NOTES**

- Prestressing steel shall be uncoated high strength, low relaxation 7-wire strand, Grade 270.
- The nominal diameter shall be  $\frac{1}{2}$ " and the nominal cross-sectional area shall be 0.153 sq. in.
- Lifting loops shall be  $2\text{-}\frac{1}{2}$ "  $\phi$  - 270 ksi strands, as shown.
- Lifting loops shall be burned off after beams have been erected.
- The  $1\text{'}$   $\phi$  rods in the transverse assembly shall be tightened to a snug fit and the threads set. Pockets that receive transverse tie bar on outside shall be filled with grout after transverse tie assembly is in place.
- Non prestressing steel shall conform to ASTM A 706 (IL MOD), Grade 60.
- The bearing seat surfaces shall be adjusted by shimming to assure firm and even bearing. Two  $\frac{1}{8}$ " fabric adjusting shims of the dimensions of the exterior bearing pad shall be provided for each bearing.
- Keyway surfaces shall be cleaned to remove form oil or other bond breaking material prior to shipment of the beams. Cleaning shall be done by sandblasting the keyway areas between top of the beam and the bottom edge of the key.
- Corrosion Inhibitor, per Article 1020.05(b)(12) of the Standard Specifications, shall be used in the concrete for precast prestressed concrete deck beams.
- Required Release Strength,  $f'_{ci}$ , shall be 4,000 p.s.i.
- See Sheet No. 6 of 12 for required fascia beam modifications for rail anchorage.
- Cast to furnish and erect Tapered Steel Shims included with Precast Prestressed Concrete Deck Beams (17").



Note: Steel shims shall be AASHTO Classification M270 Gr. 36 minimum and shall be galvanized according to AASHTO M111.



13-1/2"  $\phi$  Strands, Each Strand Stressed to 30,900 Lbs.  
7-Strands 1 3/4" up, 6-Strands 3/4" up

Note: Place strands symmetrically about  $\phi$  of beam.

**BILL OF MATERIAL**

Item	Unit	Quantity
Precast Prestressed Conc. Deck Bms. (17")	Sq. Ft.	150

**SUPERSTRUCTURE DETAILS**  
**17" X 48" DECK BEAMS**  
**ILL. ROUTE 34 OVER HOBBS CREEK**  
**F.A.P. ROUTE 778 SECTION 4BR-1**  
**HARDIN COUNTY**  
**STATION 1021+80.00**  
**STRUCTURE NO. 035-0008**



DESIGNED	RLM
CHECKED	MEL
DRAWN	AEC
CHECKED	RLM

10/04/07