

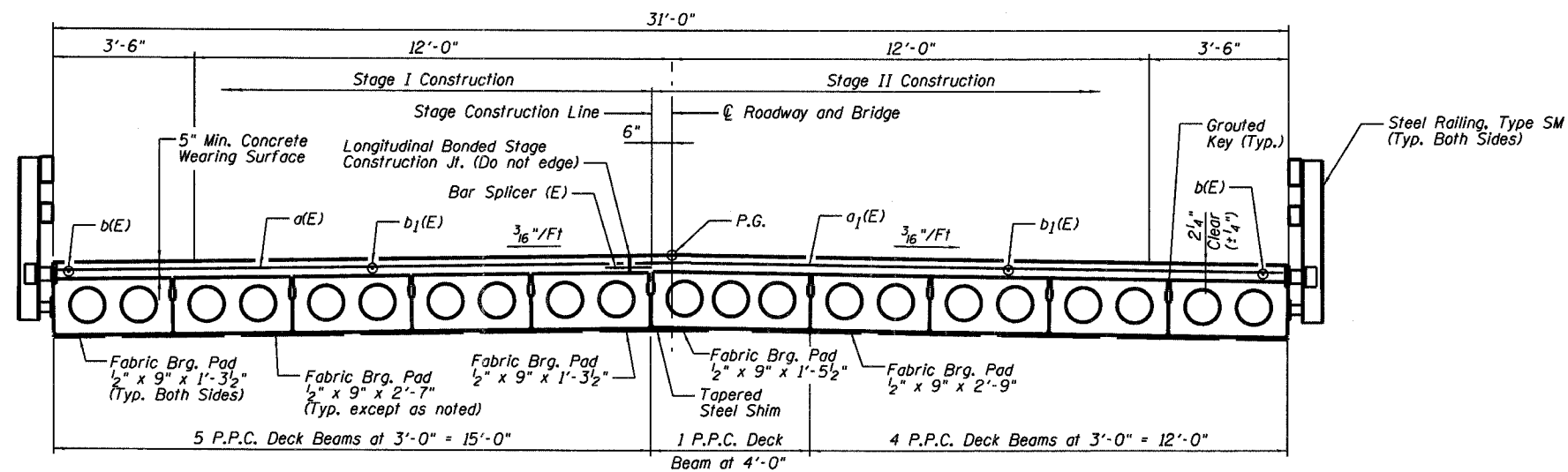
STATE OF ILLINOIS  
DEPARTMENT OF TRANSPORTATION

ROUTE NO.	SECTION	COUNTY	SHEETS	PAGE
F.A.P. 778	4BR-1	HARDIN	69	54
FED. ROAD DIST. NO. 7	ILLINOIS	FED. AID PROJECT		

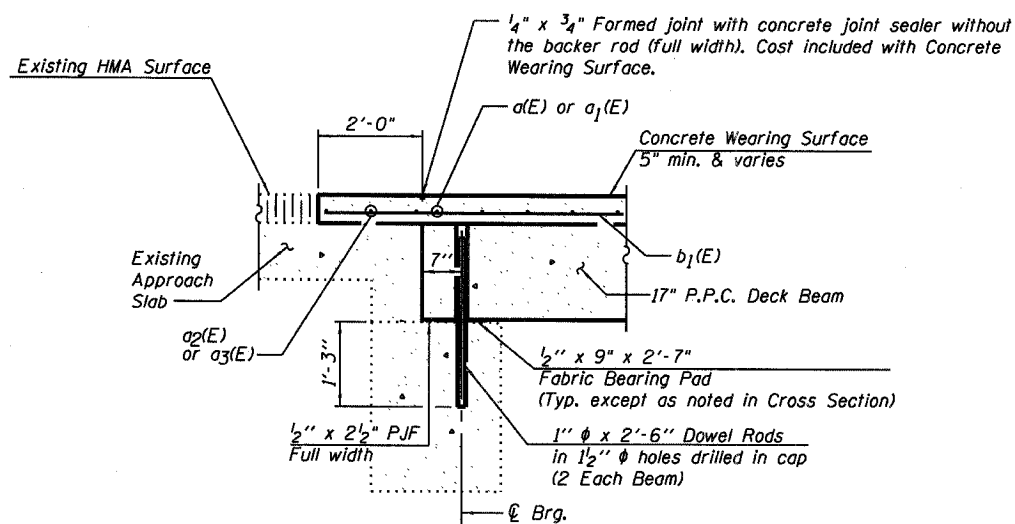
SHEET NO. 9

12 SHEETS

Contract #78023

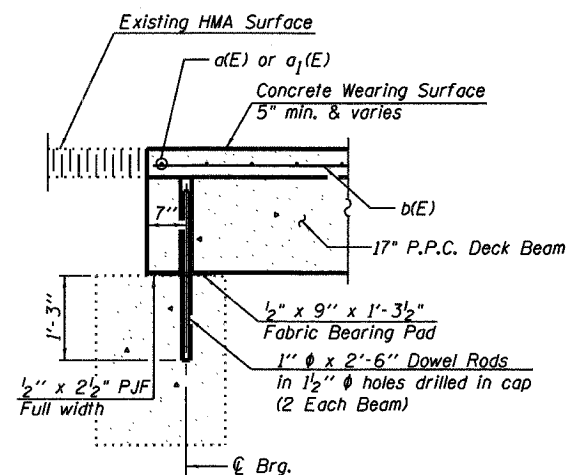


**CROSS SECTION**  
(Looking Upstation)



**SECTION THRU FIXED ABUTMENT  
AT APPROACH SLAB**

Notes:  
After beams have been erected, holes shall be drilled into substructure and anchor dowels placed. Dowel holes shall be filled with non-shrink grout to top of beam and allowed to cure min. 24 hrs. prior to grouting the shear keys.  
Dowel rods drilled in caps are included in the cost of Precast Prestressed Conc. Deck Beams (17").



**SECTION THRU FIXED ABUTMENT  
AT SHOULDERS**



DESIGNED	RLM
CHECKED	MEL
DRAWN	AEC
CHECKED	RLM

10/04/07

**SUPERSTRUCTURE DETAILS  
SECTIONS AND JOINT DETAILS  
ILL. ROUTE 34 OVER HOBBS CREEK  
F.A.P. ROUTE 778 SECTION 4BR-1  
HARDIN COUNTY  
STATION 1021+80.00  
STRUCTURE NO. 035-0008**