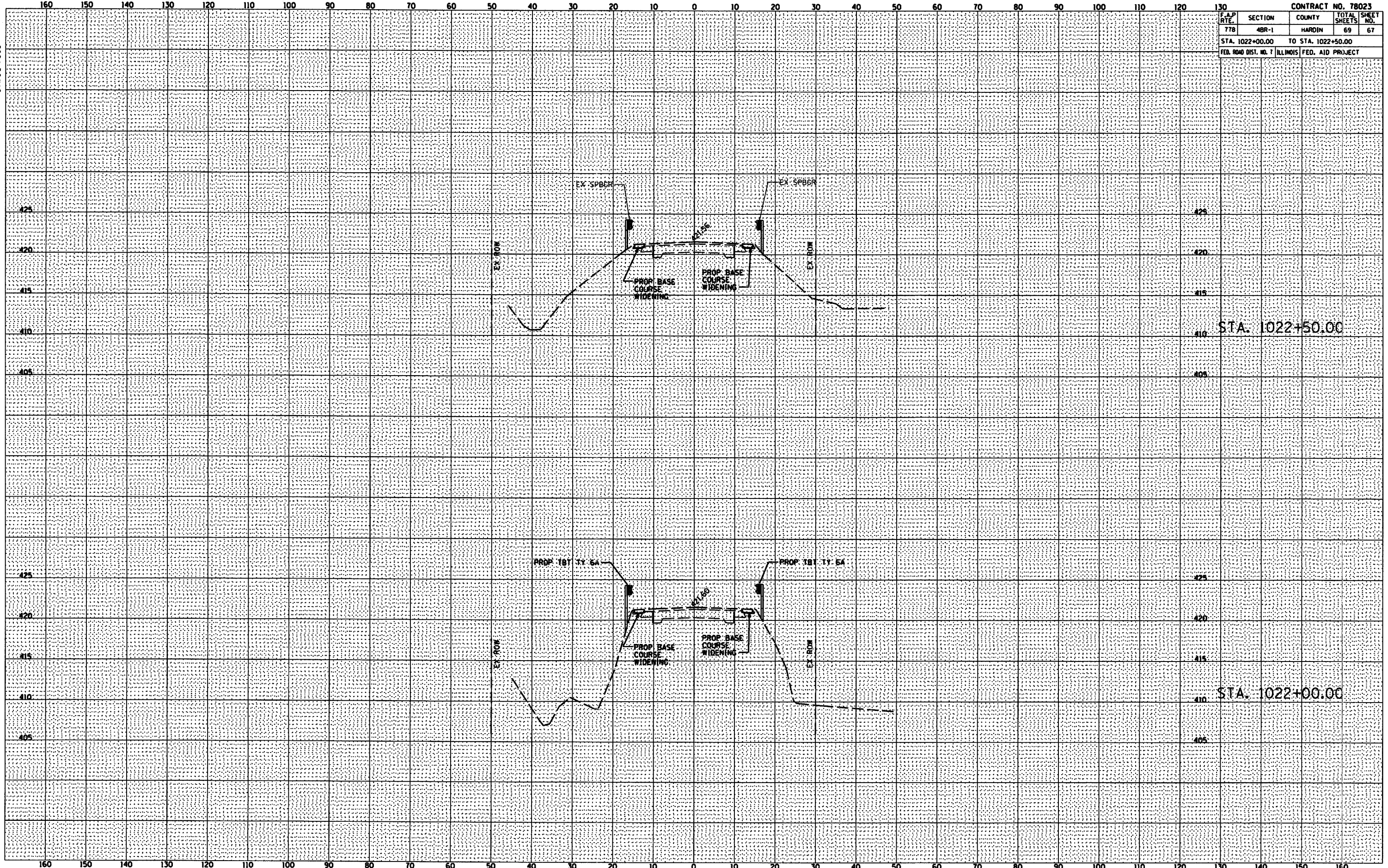




DATE	
BY	
FINISHED	
REVISIONS	
NO.	

DATE	
BY	
ORIGINAL	
REVISIONS	
NO.	

PLOT DATE: 04/01/04  
 FILE NAME: 1022+00.CAD  
 USER NAME: JMM



CONTRACT NO. 78023				
F.A.P. RTE.	SECTION	COUNTY	TOTAL SHEETS	SHEET NO.
778	4BR-1	HARDIN	69	67
STA. 1022+00.00		TO STA. 1022+50.00		
FED. ROAD DIST. NO. 1 ILLINOIS FED. AID PROJECT				