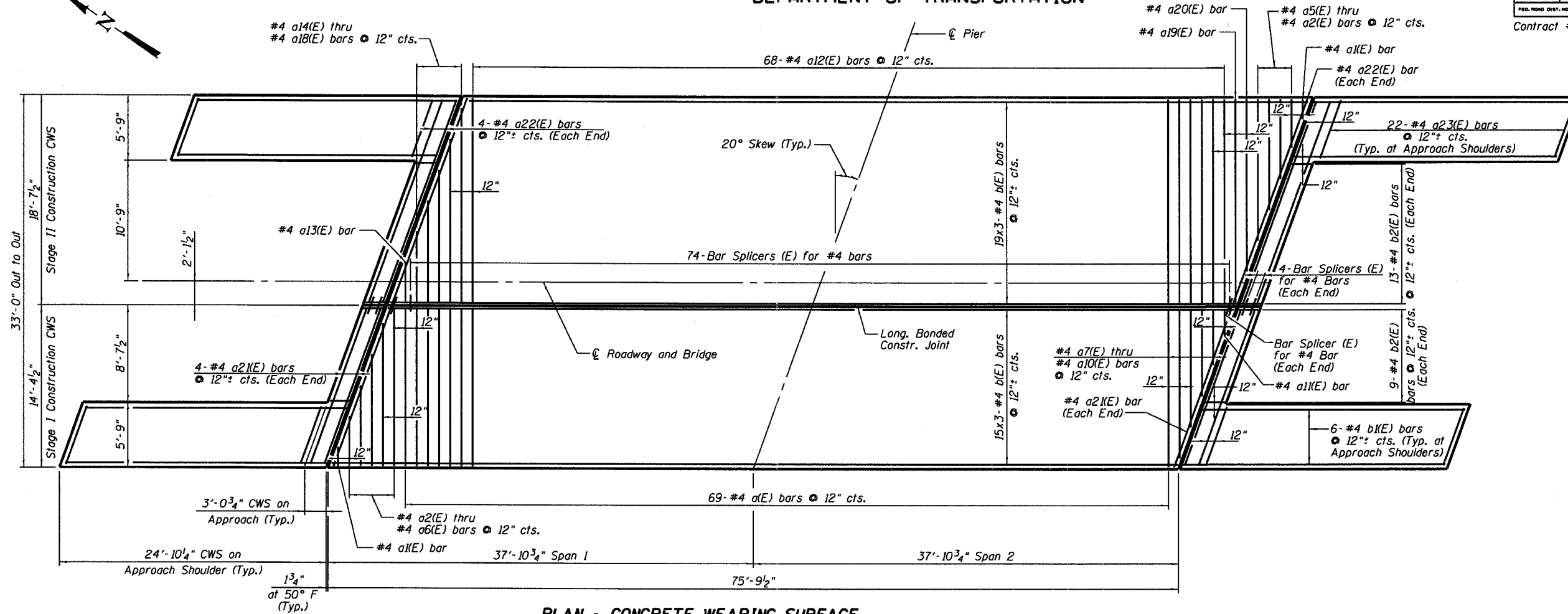


STATE OF ILLINOIS
DEPARTMENT OF TRANSPORTATION

ROUTE NO.	SECTION	COUNTY	SHEET	SHEET NO.
F.A.P. 869	10IBR-1	FRANKLIN	21	15 SHEETS
FED. ROAD DIST. NO. 7		ILLINOIS	FED. AID PROJECT	
Contract #78024				



PLAN - CONCRETE WEARING SURFACE

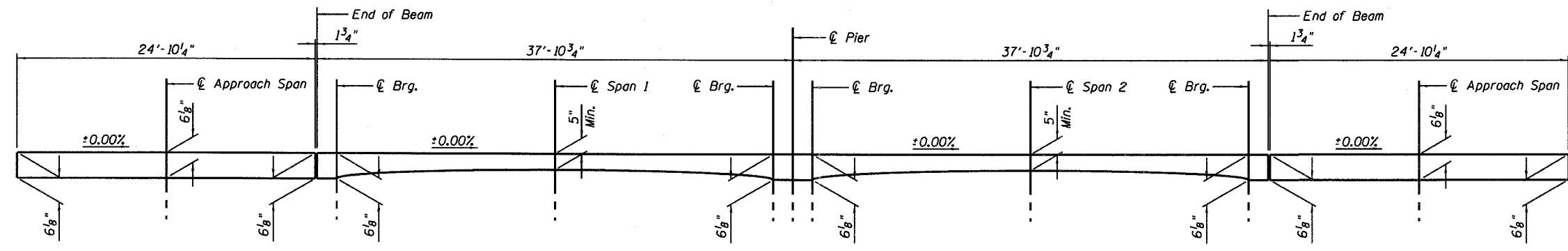
Min. Bar Lap: #4 Bars - 1'-4"
Note: Concrete wearing surface to be poured after grouting the shear keys.

BILL OF MATERIAL

Bar	No.	Size	Length	Shape
a(E)	69	#4	14'-5"	U
a1(E)	2	#4	2'-7"	U
a2(E)	2	#4	5'-4"	U
a3(E)	2	#4	8'-1"	U
a4(E)	2	#4	10'-10"	U
a5(E)	2	#4	13'-7"	U
a6(E)	1	#4	15'-1"	U
a7(E)	1	#4	13'-7"	U
a8(E)	1	#4	10'-10"	U
a9(E)	1	#4	8'-1"	U
a10(E)	1	#4	5'-4"	U
a11(E)	1	#4	2'-7"	U
a12(E)	68	#4	18'-10"	U
a13(E)	1	#4	4'-3"	U
a14(E)	1	#4	7'-0"	U
a15(E)	1	#4	9'-9"	U
a16(E)	1	#4	12'-6"	U
a17(E)	1	#4	15'-3"	U
a18(E)	1	#4	18'-0"	U
a19(E)	1	#4	19'-1"	U
a20(E)	1	#4	16'-4"	U
a21(E)	10	#4	15'-4"	U
a22(E)	10	#4	20'-0"	U
a23(E)	88	#4	6'-10"	U
b(E)	102	#4	26'-0"	U
b1(E)	24	#4	24'-6"	U
b2(E)	44	#4	2'-9"	U
Reinforcement Bars, Epoxy Coated	Pound		4,570	
Concrete Wearing Surface, 5"	Sq. Yd.		357	
Bridge Deck Grooving	Sq. Yd.		357	
Bar Splicers	Each		84	
Protective Coat	Sq. Yd.		357	

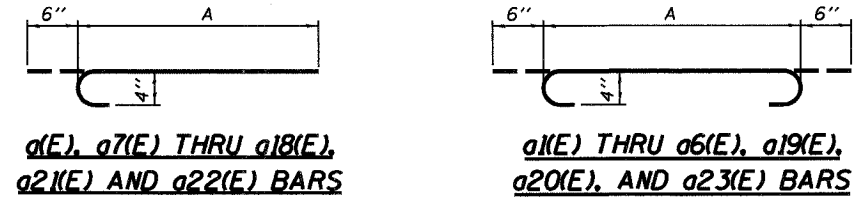
Reinforcement bars designated (E) shall be epoxy coated.
Bars indicated thus 1 x 3- #4 etc. indicates 1 line of bars with 3 lengths per line.

Bar	A	Bar	A
a(E)	13'-11"	a12(E)	18'-4"
a1(E)	1'-7"	a13(E)	3'-9"
a2(E)	4'-4"	a14(E)	6'-6"
a3(E)	7'-1"	a15(E)	9'-3"
a4(E)	9'-10"	a16(E)	12'-0"
a5(E)	12'-7"	a17(E)	14'-9"
a6(E)	14'-1"	a18(E)	17'-6"
a7(E)	13'-1"	a19(E)	18'-1"
a8(E)	10'-4"	a20(E)	15'-4"
a9(E)	7'-7"	a21(E)	14'-10"
a10(E)	4'-10"	a22(E)	19'-6"
a11(E)	2'-1"	a23(E)	5'-10"



CONCRETE WEARING SURFACE PROFILE

Note: Thickness shown for bridge spans is for all deck beams except the center deck beam.
Thickness for the center deck beam will vary from those shown at beam edges to 1/4" additional at Roadway.



SUPERSTRUCTURE DETAILS
CONCRETE WEARING SURFACE
ILL. ROUTE 34 OVER EWING CREEK
F.A.P. ROUTE 869 SECTION 10IBR-1
FRANKLIN COUNTY
STATION 362+35.00
STRUCTURE NO. 028-0047

DESIGNED RLM
CHECKED MEL
DRAWN AEC
CHECKED RLM