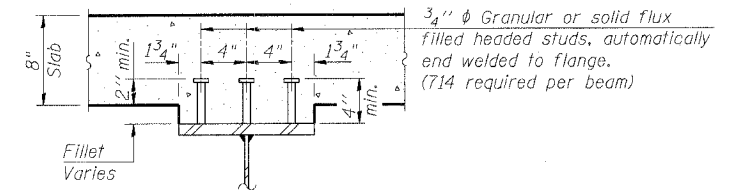
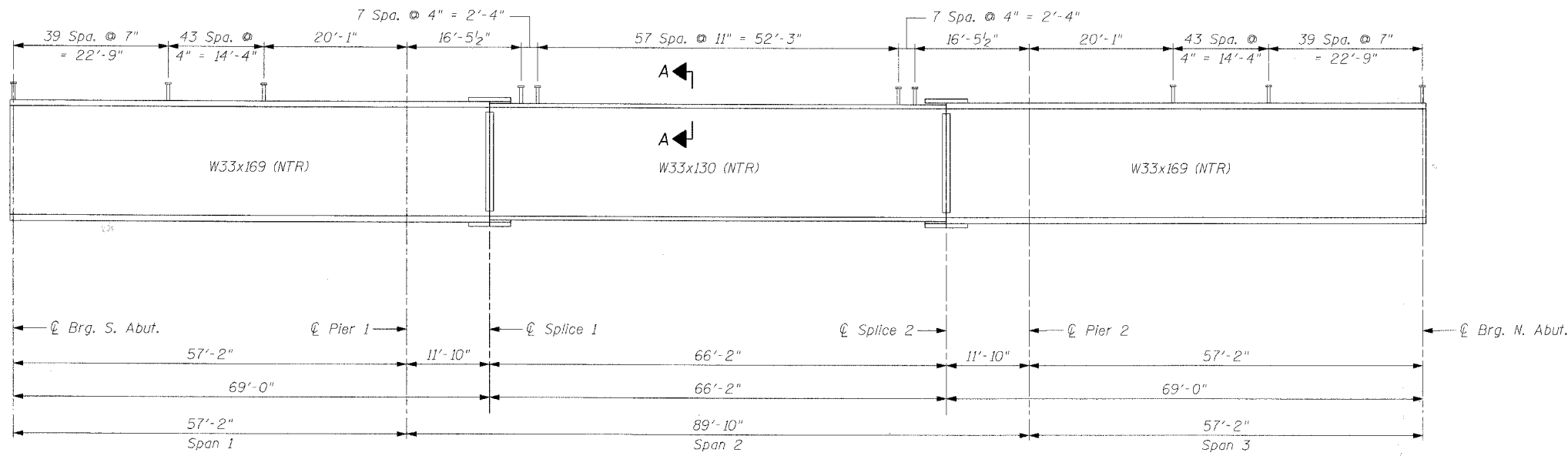


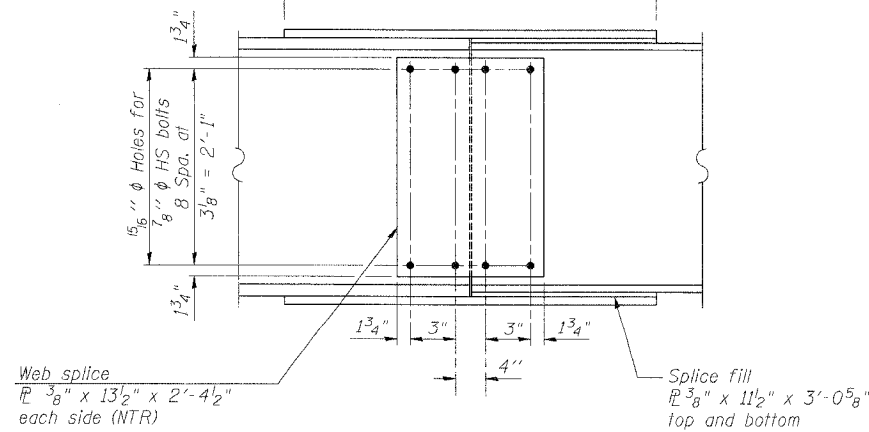
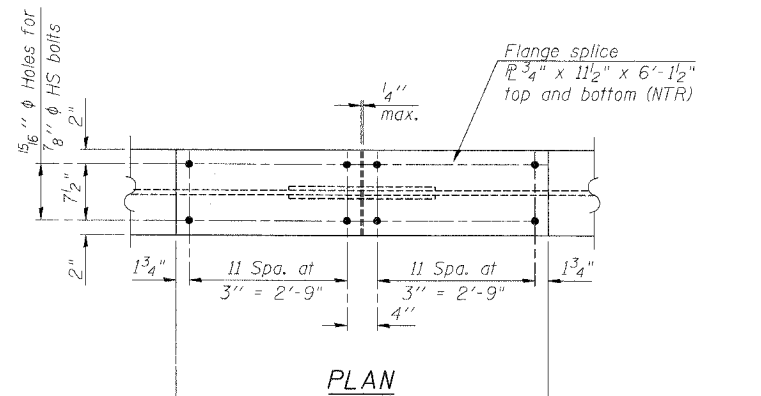
STATE OF ILLINOIS
DEPARTMENT OF TRANSPORTATION

ROUTE NO.	SECTION	COUNTY	DISTRICT	SHEET NO.	SHEET NO. 13 OF 31 SHEETS
FAP 360	#	KANE	41	23	
FED. ROAD DIST. NO. 7		ILLINOIS	FED. AID PROJECT		
Contract # 83951		* 06-00214-07-BR			



Note:

Load carrying components designated "NTR" shall conform to the Supplemental Requirements for Notch Toughness, Zone 2.



SPLICE DETAIL
(16 Required)

DESIGNED	SLV
CHECKED	BAK
DRAWN	MTR
CHECKED	SF

BOWMAN, BARRETT & ASSOCIATES INC.
CONSULTING ENGINEERS
Chicago, Illinois
312.228.0100
www.bbainc.com
Job No. 896

BEAM DETAILS
DUNHAM ROAD OVER
THE CC&P RAILROAD
SECTION 06-00214-07-BR
KANE COUNTY
STATION 262+90.93
STR. NO. 045-3169 (NB) / 045-3170 (SB)

6:53:33 PM

10/11/2007

S:\896\CADD\Structural\SHEETS\896SB00.dgn