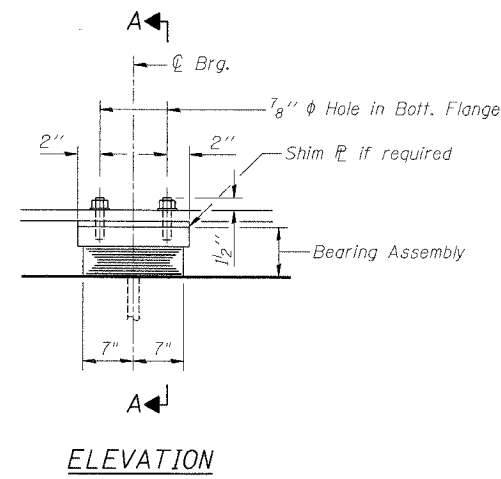
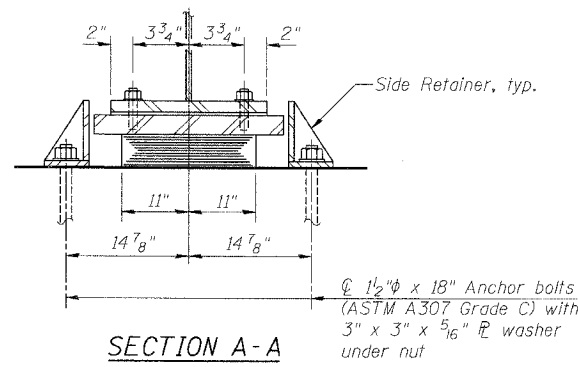


STATE OF ILLINOIS
DEPARTMENT OF TRANSPORTATION

| | | | | | |
|-----------------------|----------|------------------|-----------------------------------|-----------|---------------------------|
| ROUTE NO. | SECTION | COUNTY | TOTAL SHEETS | SHEET NO. | SHEET NO. 14 OF 31 SHEETS |
| FAP 360 | * | KANE | 41 | 24 | |
| FED. ROAD DIST. NO. 7 | ILLINOIS | FED. AID PROJECT | Contract # 83951 * 06-00214-07-BR | | |



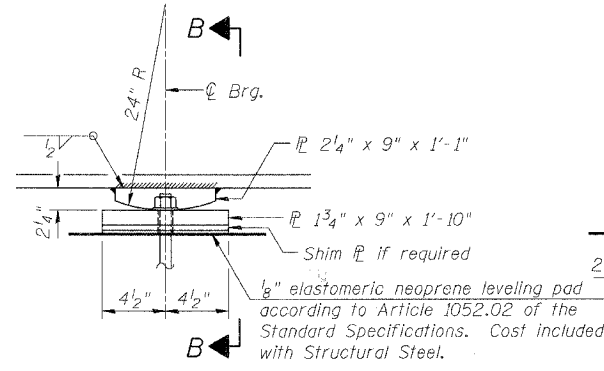
ELEVATION



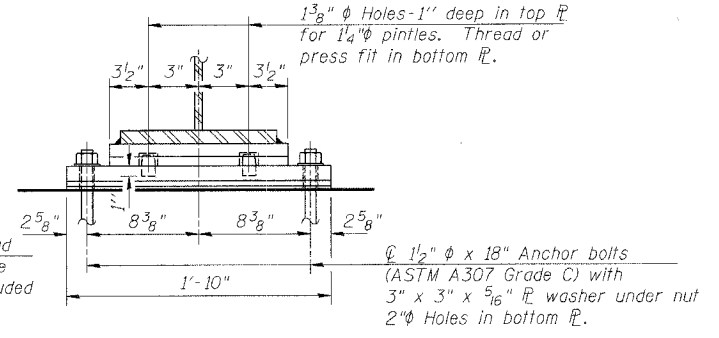
SECTION A-A

1 1/2" x 18" Anchor bolts (ASTM A307 Grade C) with 3" x 3" x 5/16" PL washer under nut

TYPE I ELASTOMERIC EXP. BRG. AT PIER 2

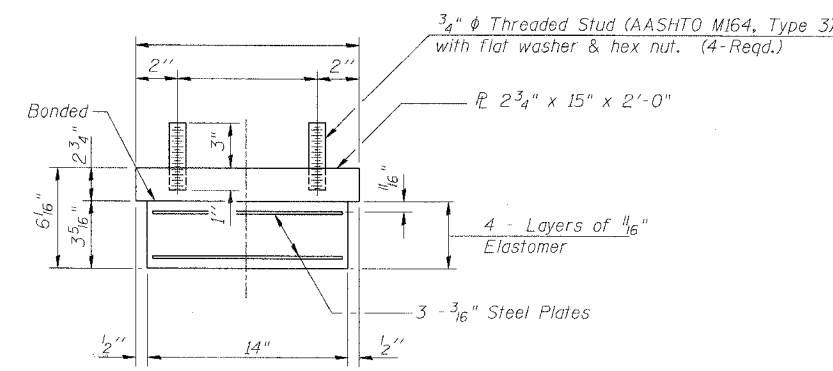


ELEVATION



SECTION B-B

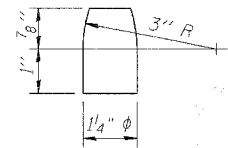
FIXED BEARING AT PIER 1



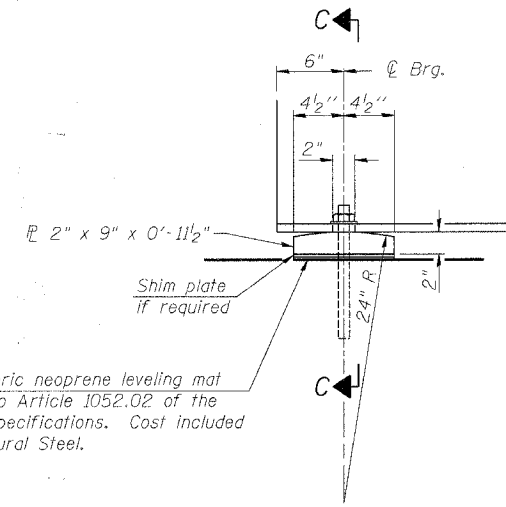
BEARING ASSEMBLY

Note:
Shim plates shall not be placed under Bearing Assembly.

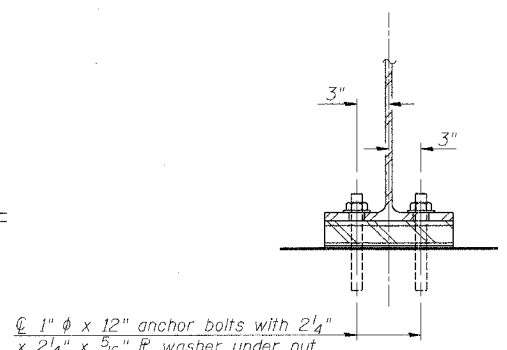
Notes:
ASTM F1554 or AASHTO M314 all-thread anchor bolts may be used in lieu of ASTM A307 Grade C.
Anchor bolts at fixed bearings may be either cast in place or installed in holes drilled after the supported member is in place.
Anchor bolts for side retainers may be cast in place or installed in holes drilled before or after members are in place.
Drilled and set anchor bolts shall be installed according to Article 521.06 of the Standard Specifications.
Side retainers and other steel members required for the bearing assembly shall be included in the cost of Elastomeric Bearing Assembly, Type I.
The structural steel plates of the Bearing Assembly shall conform to the requirements of AASHTO M 270 Grade 50W.
Two 1/8 in. adjusting shims shall be provided for each bearing in addition to all other plates or shims and placed as shown on bearing details.



PINTLE

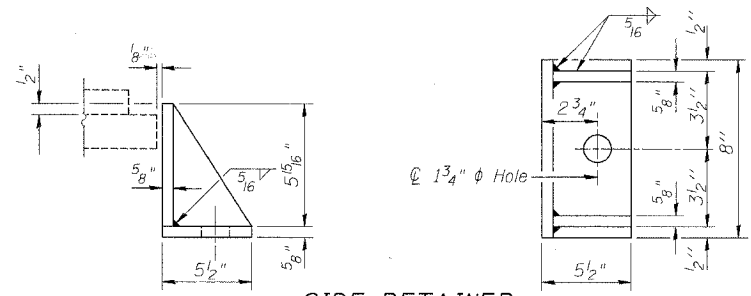


ELEVATION



SECTION C-C

FIXED BEARING AT ABUTMENTS



SIDE RETAINER

Equivalent rolled angle with stiffeners will be allowed in lieu of welded plates.

| | |
|----------|-----|
| DESIGNED | SLV |
| CHECKED | BAK |
| DRAWN | MTR |
| CHECKED | SF |

BILL OF MATERIAL

| Item | Unit | Total |
|-------------------------------------|------|-------|
| Elastomeric Bearing Assembly Type I | Each | 8 |
| Anchor Bolts 1" φ | Each | 32 |
| Anchor Bolts 1 1/2" φ | Each | 32 |

BOWMAN, BARRETT & ASSOCIATES INC.
CONSULTING ENGINEERS
Chicago, Illinois
312.228.0100
www.bbainc.com
Job No. 896

BEARING DETAILS
DUNHAM ROAD OVER
THE CC&P RAILROAD
SECTION 06-00214-07-BR
KANE COUNTY
STATION 262+90.93
STR. NO. 045-3169 (NB) / 045-3170 (SB)

S:\996\CADD\Structural\SHEETS\996SR01.dgn 10/11/2007 6:47:40 PM