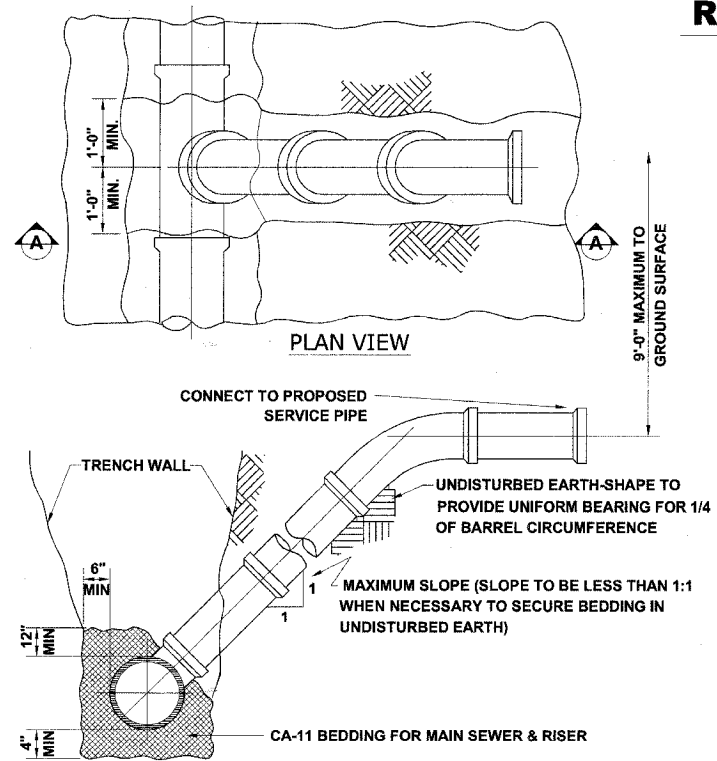
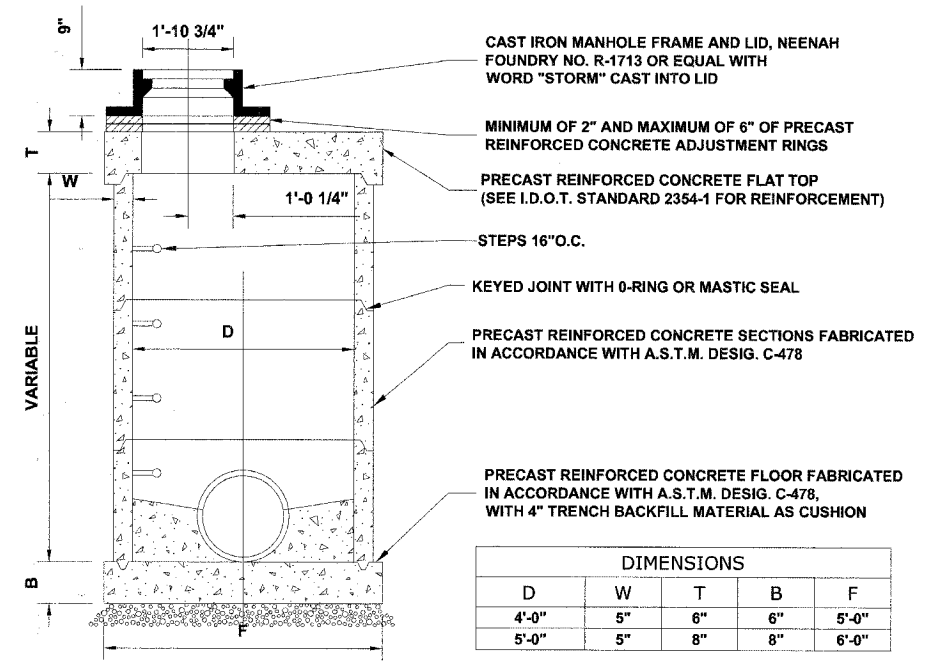


RESTRICTED DEPTH CATCH BASIN



TYPICAL RISER FOR SERVICE LATERAL



RESTRICTED DEPTH STORM MANHOLE

Drawing file: W:\Projects\83983\83983.dwg - High Priority Project Bristol & Dover Village - Details.dwg Oct. 03, 2007 - 10:46am