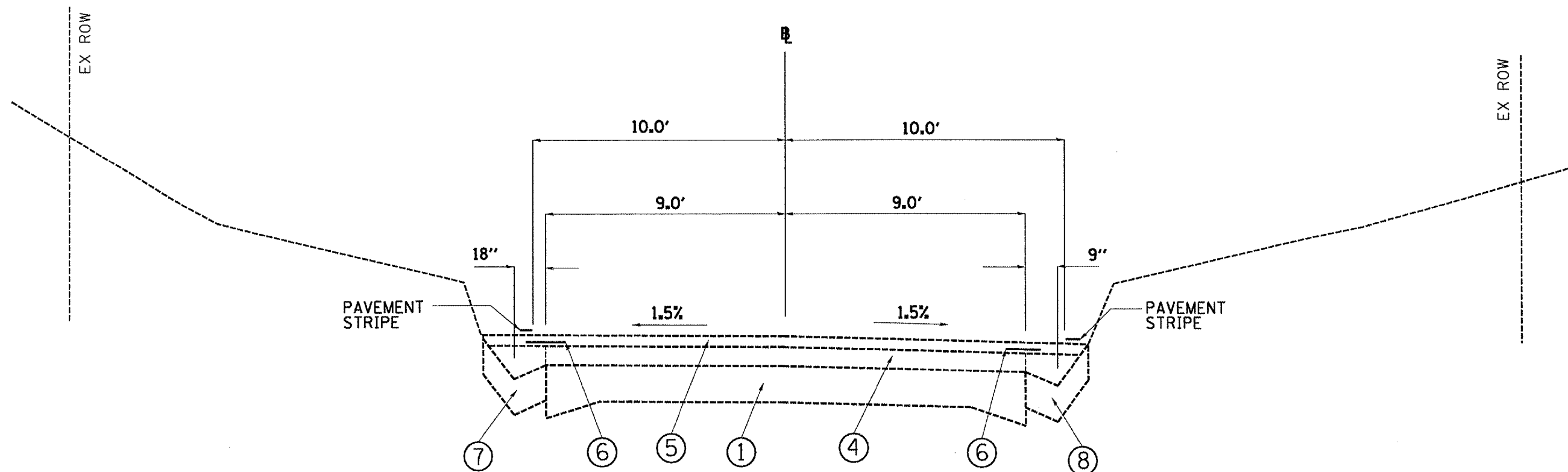


| | | | | |
|---------------------|----------|------------------|--------------|-----------|
| F.A. RTE. | SECTION | COUNTY | TOTAL SHEETS | SHEET NO. |
| 315 | | FULTON | 324 | 9 |
| STA. | TO STA. | | | |
| FED. ROAD DIST. NO. | ILLINOIS | FED. AID PROJECT | | |

*109W-1,RS-2,110W,RS-1



TYPICAL SECTION #2 US 136

LEGEND

- ① EX. 9-6-9 PCC PAVEMENT
- ② EX. BITUMINOUS WIDENING 9"
- ③ EX. AGGREGATE SHOULDER
- ④ EX. BITUMINOUS OVERLAY
- ⑤ EX. BITUMINOUS OVERLAY 2"
- ⑥ EX. STRIP REFLECTIVE CRACK CONTROL
- ⑦ EX. TYPE A GUTTER
- ⑧ EX. TYPE B GUTTER

- STA. 533+36.87 TO STA. 538+35.40 LT
- STA. 533+33.85 TO STA. 537+85.80 RT
- STA. 540+00.00 TO STA. 543+00.00
- STA. 578+67.30 TO STA. 582+78.85 LT
- STA. 578+67.30 TO STA. 583+17.95 RT
- STA. 586+95.95 TO STA. 597+00.00
- STA. 605+50.00 TO STA. 612+51.00
- STA. 651+43.50 TO STA. 655+00.00

PLOT DATE = 8/12/2007
 FILE NAME = I:\Projects\88518\Drawings\136\typical2.dgn
 PLOT SCALE = 1/8"=1'-0"
 USER NAME = mshaharide

| REVISIONS | |
|-----------|------|
| NAME | DATE |
| | |
| | |
| | |
| | |
| | |
| | |
| | |
| | |
| | |
| | |

ILLINOIS DEPARTMENT OF TRANSPORTATION

EXISTING TYPICAL SECTION
US 136

SCALE: VERT.
HORIZ.
DATE 08/09/05

DRAWN BY CEM
CHECKED BY CEM