

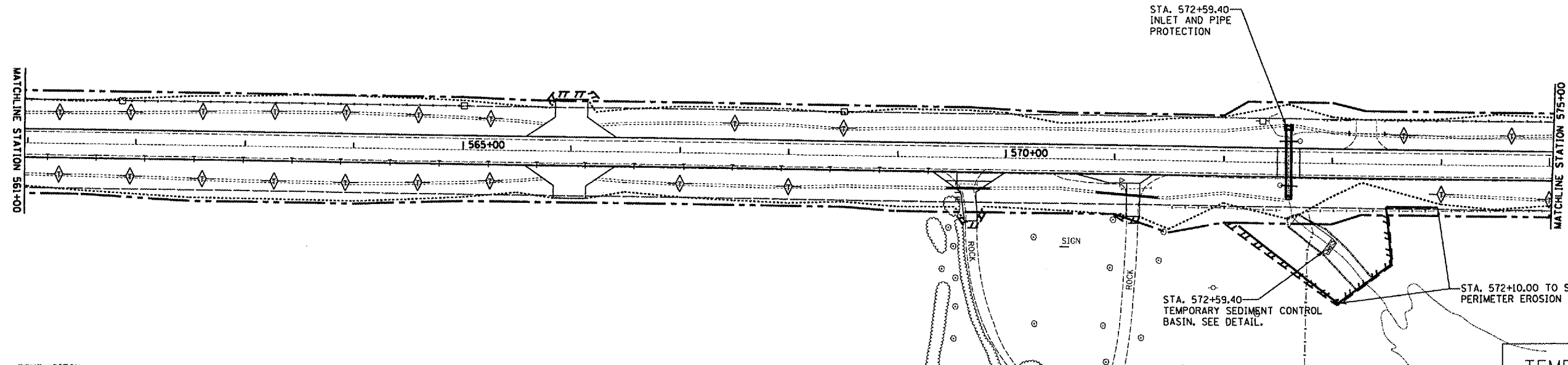
F.A.P. RTE.	SECTION	COUNTY	TOTAL SHEETS	SHEET NO.
315	*	FULTON	324	51
STA. 561+00.00		TO STA. 575+00.00		
FED. ROAD DIST. NO.	ILLINOIS FED. AID PROJECT			
+109W-1,RS-2;110W,RS-1				



DATE	BY

REVIEWED: \_\_\_\_\_  
 ALTERNATE CHECKED: \_\_\_\_\_  
 CAD FILE NAME: \_\_\_\_\_  
 NO. \_\_\_\_\_

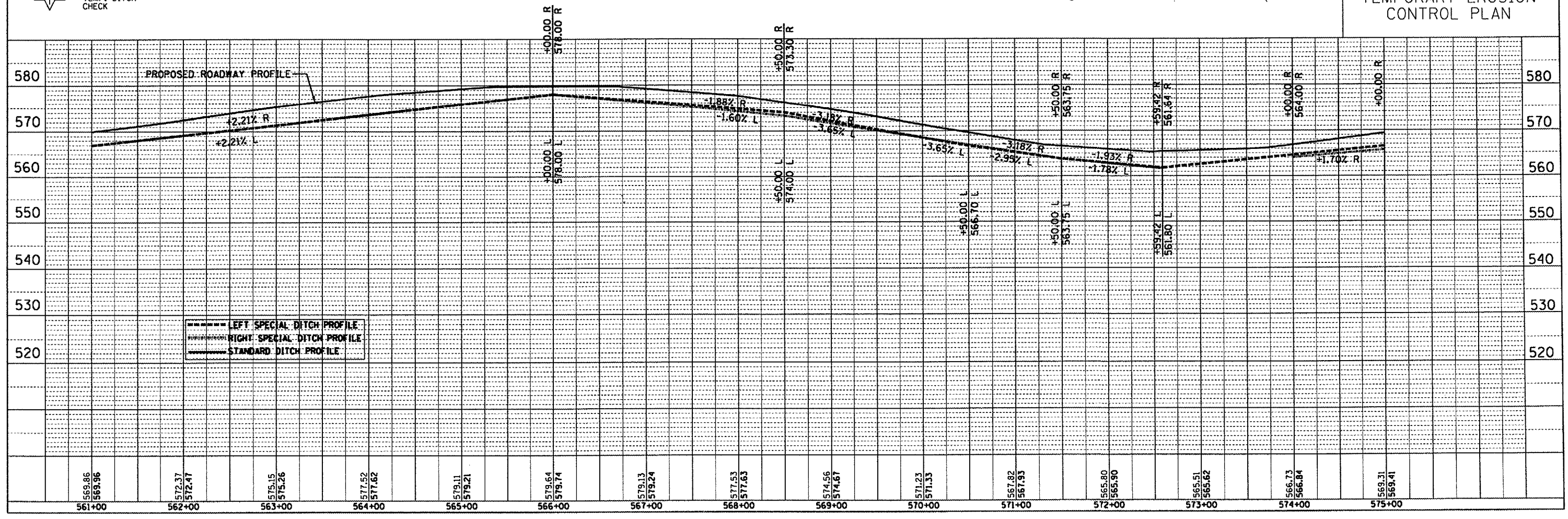
PLAN  
 NOTE BOOK NO. \_\_\_\_\_



TEMPORARY EROSION CONTROL PLAN

DATE	BY

PROFILE  
 REVIEWED: \_\_\_\_\_  
 GRADES CHECKED: \_\_\_\_\_  
 STRUCTURE NOTATIONS CHKD: \_\_\_\_\_  
 NO. \_\_\_\_\_



UST136SUM/PP08.DGN