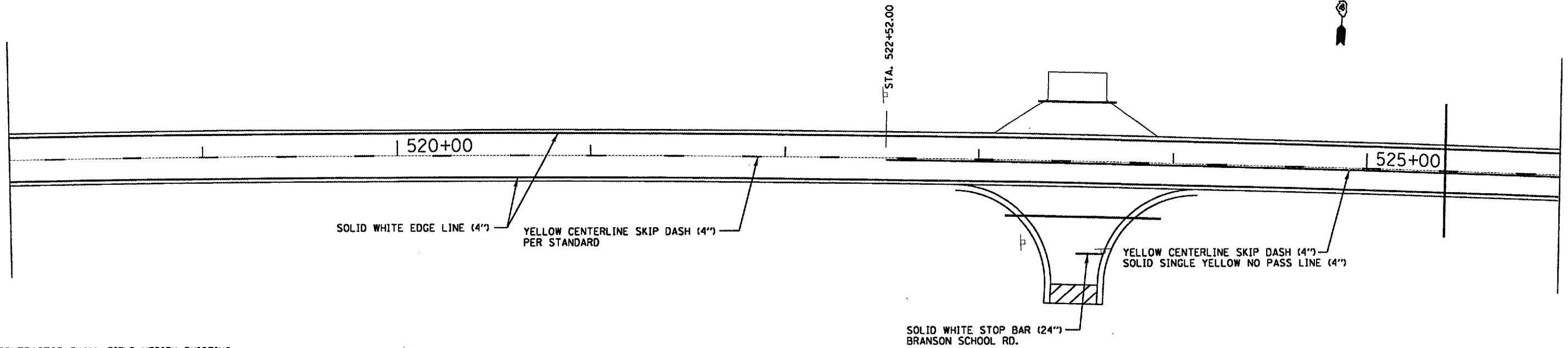


F.A.P. RTE.	SECTION	COUNTY	TOTAL SHEETS	SHEET NO.
315		FULTON	324	76
STA. TO STA.				
FED. ROAD DIST. NO. 4		ILLINOIS	FED. AID PROJECT	

*109W-1,RS-2;110W,RS-1

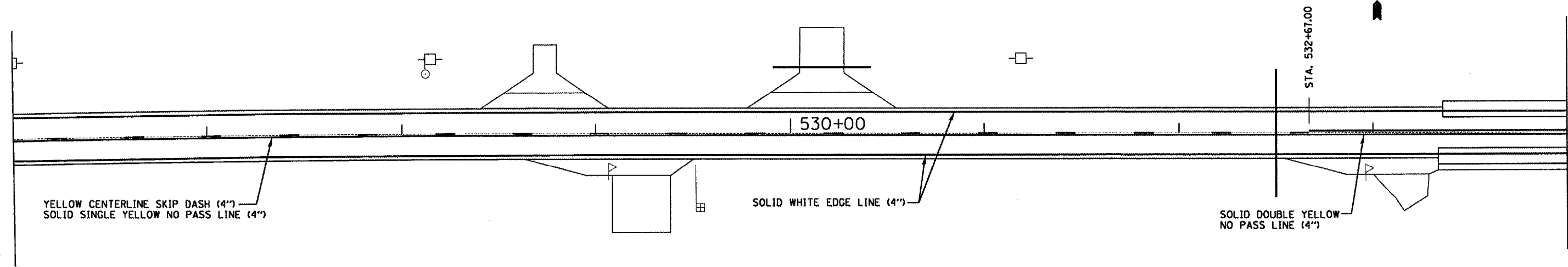


SOLID WHITE EDGE LINE (4")
 YELLOW CENTERLINE SKIP DASH (4")
 PER STANDARD

YELLOW CENTERLINE SKIP DASH (4")
 SOLID SINGLE YELLOW NO PASS LINE (4")

SOLID WHITE STOP BAR (24")
 BRANSON SCHOOL RD.

CONTRACTOR SHALL FIELD VERIFY EXISTING
 PAVEMENT MARKINGS PRIOR TO COLDMILLING
 RAISED REFLECTIVE PAVEMENT MARKERS
 NOT SHOWN, SEE STANDARD



YELLOW CENTERLINE SKIP DASH (4")
 SOLID SINGLE YELLOW NO PASS LINE (4")

SOLID WHITE EDGE LINE (4")

SOLID DOUBLE YELLOW
 NO PASS LINE (4")

PAVEMENT MARKING PLAN
 STA. 518+00 TO STA. 534+00

PLOT DATE : 8/28/2007
 FILE NAME : e:\projects\136\sum\136\pavmark.dgn
 PLOT SCALE : 5/8"=1' IN.
 USER NAME : msharada