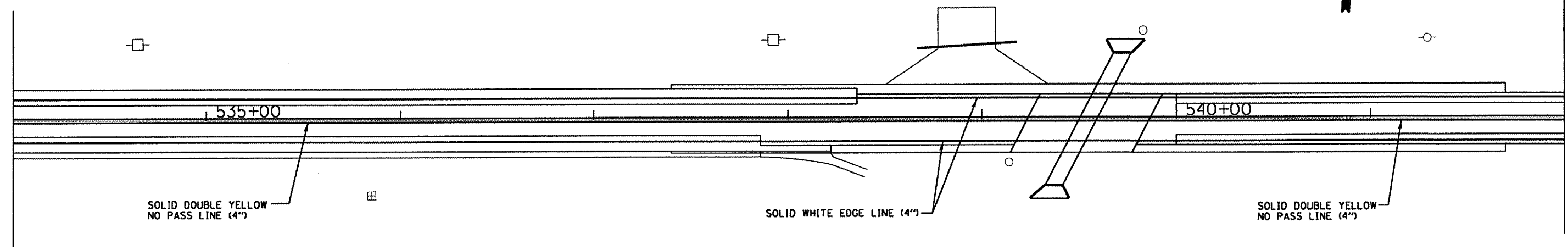
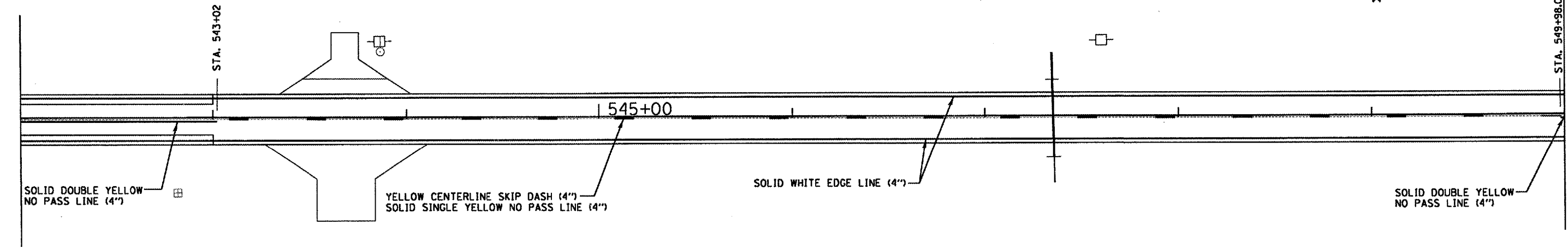


F.A.P. RTE.	SECTION	COUNTY	TOTAL SHEETS	SHEET NO.
315		FULTON	324	77
STA.		TO STA.		
FED. ROAD DIST. NO. 4		ILLINOIS FED. AID PROJECT		
*109W-1,RS-2;110W,RS-1				



CONTRACTOR SHALL FIELD VERIFY EXISTING PAVEMENT MARKINGS PRIOR TO COLDMILLING
 RAISED REFLECTIVE PAVEMENT MARKERS NOT SHOWN. SEE STANDARD



PAVEMENT MARKING PLAN
 STA. 534+00 TO STA. 550+00