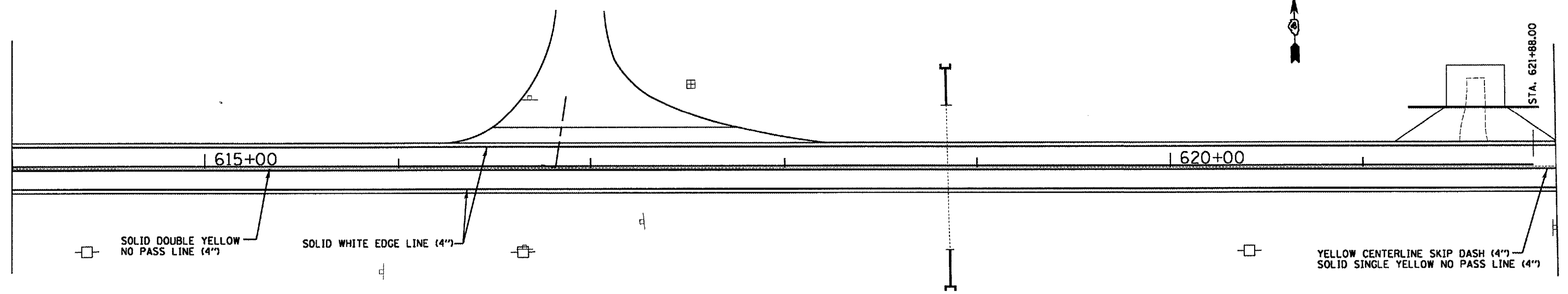
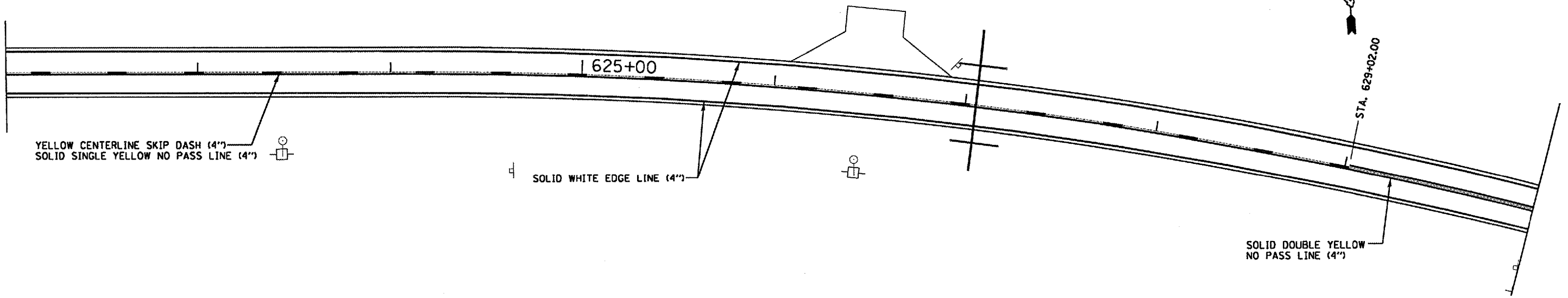


F.A.P. RTE.	SECTION	COUNTY	TOTAL SHEETS	SHEET NO.
315	.	FULTON	329	82
STA.		TO STA.		
FED. ROAD DIST. NO. 4		ILLINOIS FED. AID PROJECT		
*109W-1,RS-2;110W,RS-1				



CONTRACTOR SHALL FIELD VERIFY EXISTING PAVEMENT MARKINGS PRIOR TO COLDMILLING
RAISED REFLECTIVE PAVEMENT MARKERS NOT SHOWN. SEE STANDARD



PAVEMENT MARKING PLAN
STA. 614+00 TO STA. 630+00

PLOT DATE = 8/28/2007
PLOT SCALE = 5/8"=1'-0"
USER NAME = msuhayrda